

**PLEASE CHECK WWW.MOLEX.COM FOR LATEST PART INFORMATION**

**Part Number:** [1731091920](#)  
**Status:** **Active**  
**Overview:** [FCT D-Sub Connectors](#)  
**Description:** FCT Standard-Density D-Sub Connector, Female, Right-Angle, Surface Mount, 3.70mm Contact Height, 500 Mating Cycles, Diecast Bracket, 9 Circuits

**Documents:**

[Brochure \(PDF\)](#)

[RoHS Certificate of Compliance \(PDF\)](#)

**General**

|                  |                                      |
|------------------|--------------------------------------|
| Product Family   | D-Sub Products                       |
| Series           | <a href="#">173109</a>               |
| IP Rating        | IP20                                 |
| Overview         | <a href="#">FCT D-Sub Connectors</a> |
| Product Category | D-Sub Connector                      |
| Product Name     | FCT Products                         |
| Type             | Standard Density                     |
| UPC              | 191130163069                         |

**Physical**

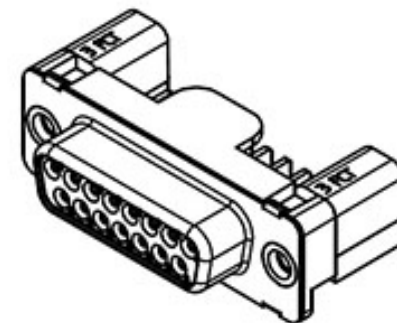
|                                |                            |
|--------------------------------|----------------------------|
| Circuits (Loaded)              | 9                          |
| Circuits (maximum)             | 9                          |
| Color - Resin                  | Natural                    |
| Durability (mating cycles max) | 500                        |
| Gender                         | Female                     |
| Material - Contact             | Copper Alloy               |
| Material - Resin               | PBT                        |
| Material - Shell               | Steel                      |
| Net Weight                     | 11.800/g                   |
| Number of Rows                 | 2                          |
| Orientation                    | Right-Angle                |
| PC Tail Length                 | 3.70mm                     |
| PCB Locator                    | Yes                        |
| PCB Retention                  | Yes                        |
| PCB Thickness - Recommended    | 1.60mm                     |
| Packaging Type                 | Embossed Tape on Reel      |
| Panel Mount                    | Rear                       |
| Panel Mount Method             | Thread-In                  |
| Pitch - Mating Interface       | 2.84mm                     |
| Pitch - Termination Interface  | 3.40mm                     |
| Plating - Contact              | Gold over Palladium Nickel |
| Plating - Shell                | Nickel                     |
| Polarized to Mating Part       | Yes                        |
| Polarized to PCB               | Yes                        |
| Ports                          | 1                          |
| Shielded                       | Yes                        |
| Surface Mount Compatible (SMC) | Yes                        |
| Temperature Range - Operating  | -55° to +150°C             |
| Termination Style              | Surface Mount              |
| Waterproof / Dustproof         | No                         |
| Waterproof / Dustproof Type    | IP20                       |

**Electrical**

|                               |      |
|-------------------------------|------|
| Current - Maximum per Contact | 5.0A |
|-------------------------------|------|

**Material Info**

|                    |                   |
|--------------------|-------------------|
| Engineering Number | FSLT09S101G1-3752 |
|--------------------|-------------------|



*Series image - Reference only*

**EU ELV**

**Not Relevant**

**EU RoHS**

**Compliant**

**REACH SVHC**

Not Reviewed

**Halogen-Free**

**Status**

**Not Reviewed**

For more information, please visit [Contact US](#)

China ROHS

ELV

RoHS Phthalates

**China RoHS**

Green Image

Not Relevant

Not Contained

**Search Parts in this Series**

[173109 Series](#)

**Mates With**

FCT Standard-Density D-Sub, Size 1, 9 Position, Plug

This document was generated on 12/21/2020

**PLEASE CHECK [WWW.MOLEX.COM](http://WWW.MOLEX.COM) FOR LATEST PART INFORMATION**

## X-ON Electronics

Largest Supplier of Electrical and Electronic Components

*Click to view similar products for [D-Sub Standard Connectors](#) category:*

*Click to view products by [Molex](#) manufacturer:*

Other Similar products are found below :

[56F711-015](#) [LV242999-142T12](#) [015-0341-000](#) [015-0372-005](#) [015-0372-008](#) [015-8755-001](#) [020419-0104](#) [012-0467-000](#) [012-9507-034](#) [012-9507-114](#) [020745-0008](#) [609-25P](#) [CT2-14S-2PCA34](#) [CT2-18-11PCAU](#) [CT6-10SL-3SC](#) [CT6-10SL-4SC](#) [CT6-14S-2SC](#) [CT6E14SA7SC](#)  
[M83513/01-FC](#) [M83723/76W24619 L/C](#) [M85049/48-3-2F](#) [6STD09PCM99B70X](#) [6STD09SCM99B30X](#) [6STD09SCT99S40X](#)  
[6STD15PCT99S40X](#) [6STD15SCM99B30X](#) [6STD15SCT99S40X](#) [6STF09PCM05B70X](#) [7-135760-9](#) [MC11E-10-6SN](#) [747552-3](#) [MD1-21PS](#)  
[MDM-15SCBRM7-F222](#) [MDM96517-699](#) [MDM96521-744](#) [MDVB1-21SL1](#) [MIK0-1-7SH003](#) [MIKQ6-7SH076](#) [MIKQ7-7PH077](#) [MIKQ7-7PH11](#) [MIKQ7-7PH32](#) [MJSV-28SL61](#) [MKJ4A1F14-55S](#) [8-135760-3](#) [8STD09PCM99B30X](#) [PG-KV/PV-16-GROM-SEALING](#) [GDA15P](#)  
[GDAY15PB](#) [980-0000-170](#) [980-0000-171](#)