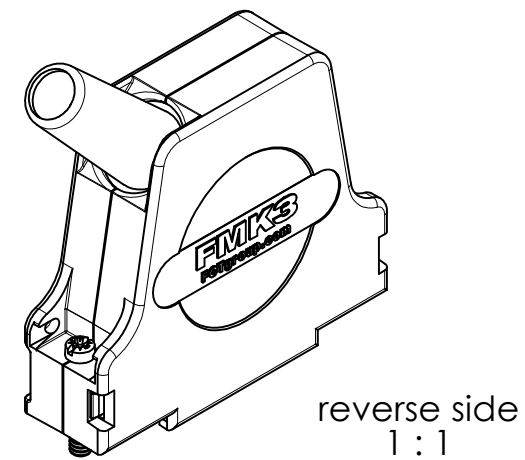
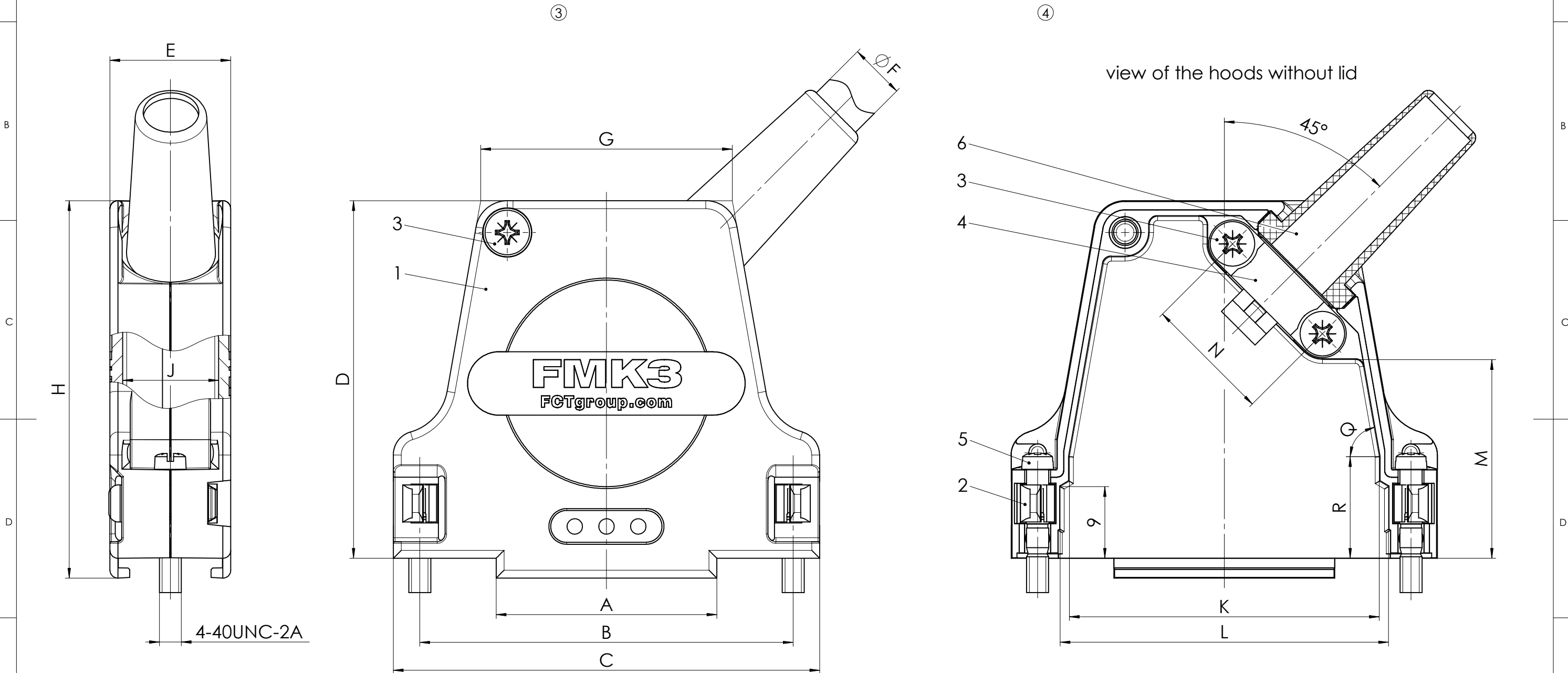


| Order-No. | Shell Size / for No. of Contacts | A ±0.3 | B ±0.1 | C ±0.3 | D ±0.3 | E ±0.3 | ∅F1 min - max | max l | ∅F2 Rubber bushing | G ±0.3 | H ±0.3 | J ±0.3 | K ±0.3 | L ±0.3 | M ±0.5 | N ±0.3 | Q | R ±0.3 |
|-----------|----------------------------------|--------|--------|--------|--------|--------|---------------|-------|--------------------|--------|--------|--------|--------|--------|--------|--------|-----|--------|
| FMK2-K201 | 2 / 15 | 15.9 | 33.3 | 40 | 41 | 15.2 | 8.5 - 12.5 | 9 | FKT3-4 | 23.3 | 43.5 | 12.1 | 25.8 | 27.9 | 21 | 16 | 84° | - |
| FMK3-K201 | 3 / 25 | 27.8 | 47 | 53.7 | 45 | 15.2 | 8.5 - 12.5 | 9 | FKT3-4 | 31.7 | 47.5 | 12.1 | 39 | 41.4 | 25 | 16 | 80° | 12.9 |
| FMK4-K201 | 4 / 37 | 44.3 | 63.5 | 70.2 | 48 | 18.2 | 12 - 15 | 11.5 | FKT5 | 48.2 | 50.5 | 15.1 | 55.5 | 57.8 | 23.2 | 21 | 80° | 16.1 |
| FMK5-K201 | 5 / 50 | 41.9 | 61.1 | 67.8 | 48 | 18.2 | 12 - 15 | 11.5 | FKT5 | 45.8 | 50.5 | 15.1 | 53.1 | 55.5 | 23.2 | 21 | 80° | 16.1 |

∅F1 = Cable diameter without rubber bushing
∅F2 = Cable diameter with rubber bushing



RoHS compliant

- ④ max. torque are 40 Ncm
- Part-No. 6 not mounted
- FMK2-3-K201 with 3 screws (Part-No. 3)
- FMK4-5-K201 with 4 screws (Part-No. 3)

| No. | St. | Part | Type | Description/Material | Surface plating/Colour/Class |
|-----|-----|----------------|---------------------------|----------------------|------------------------------|
| 6 | 1 | Rubber bushing | TPE | | black |
| 5 | 2 | Locking screw | FVS1/5-K1163 4-40 / Steel | | nickel plated |
| 4 | 1 | Cable clamp | Steel | | tin plated |
| 3 | 3/4 | Screw | Case hardened steel | | zinc plated |
| 2 | 2 | Catch spring | PEI | | black |
| 1 | 1 | Hood | FMK2-5 / Zinc die-cast | | nickel plated |

⑤

| REV. | DATE | CH.-NO. | ORIGINAL: DIN A3-DRAWING AS A FILE | REPLACEMENT FOR: FMK2-5-K201d_ACAD | PAGES 1 |
|------|------------|---------|------------------------------------|---|---------|
| 5 | 21-03-2016 | 23610 | | DWG.NO. FMK2-5-K201 TITLE Metal Hood | REV. 5 |
| 4 | 04-07-2008 | 21925 | | | |
| 3 | 23-08-2005 | 21680 | | | |
| 2 | 07-07-2005 | 21625 | | | |
| 1 | 02-02-2004 | 2 1317 | | | |

COMMENT: ALL RIGHTS ARE RESERVED BY US FOR THIS DRAWING. WITHOUT OUR PRIOR CONSENT, IT MAY NEITHER BE DUPLICATED NOR MADE AVAILABLE TO A THIRD PARTY. AND IT ALSO MAY NOT BE IMPROPERLY USED BY THE RECEIVER, OR A THIRD PARTY.

X-ON Electronics

Largest Supplier of Electrical and Electronic Components

Click to view similar products for [molex](#) manufacturer:

Other Similar products are found below :

[60506-C-50](#) [73108](#) [72903](#) [1062837003](#) [0533241060](#) [68301-1017](#) [71506-C](#) [880504](#) [387790039](#) [53254-0710](#) [85071-0017](#) [387204903](#)
[783472003](#) [514412093](#) [0194180027](#) [0192210405](#) [0191640082](#) [0982660127](#) [0152670317](#) [0192210414](#) [0982670277](#) [0026482195](#)
[0191310031](#) [503308-4410](#) [0190070015](#) [02-09-6102](#) [0008650814](#) [791099208](#) [0039000218](#) [89762-1403](#) [89762-1542](#) [89762-1582](#)
[0011404526](#) [00136](#) [0022173102](#) [0026615060](#) [CR4006A30M003](#) [0039532085](#) [58098-0628](#) [0003092041](#) [0008520123](#) [0011030025](#)
[0011184017](#) [0022162060](#) [0022552102](#) [01312](#) [M15730061](#) [61432](#) [6150300002](#) [CS63W64](#)