

PLEASE CHECK WWW.MOLEX.COM FOR LATEST PART INFORMATION

Part Number: [1731110112](#)
Status: **Active**
Overview: [FCT D-Sub Connectors](#)
Description: FCT Plastic Backshell for D-Sub Connector, Shielded, Shell Size 1, Straight Cable Outlet, Large Inner Chamber, with 4-40 UNC Threaded Insert

Documents:

[Datasheet \(PDF\)](#)
[Brochure \(PDF\)](#)

[RoHS Certificate of Compliance \(PDF\)](#)

General

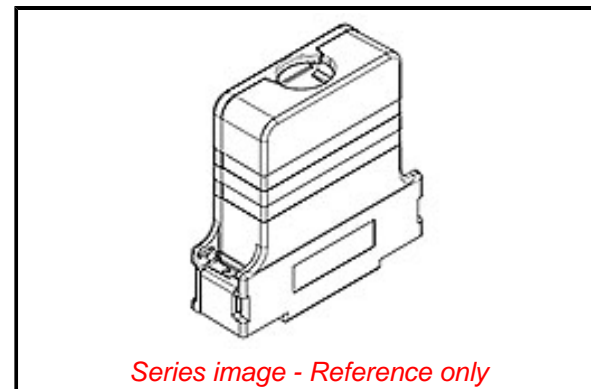
Product Family	D-Sub Products
Series	173111
Overview	FCT D-Sub Connectors
Product Category	Backshell
Product Name	FCT Products
Type	Plastic
UPC	889056488129

Physical

Cable Diameter	4.00-11.00mm
Material - Backshell	ABS / PC+ABS
Mounting Style	Threaded Insert
Net Weight	15.000/g
Orientation	Straight
Packaging Type	Bag
Plating - Backshell	Nickel
Shield Type	Shielded Plastic
Shielded	Yes
Temperature Range - Operating	-35° to +95°C
Thread Size	4-40 UNC
Thread Type	Standard
Tightening Test Torque	40 Ncm
Waterproof / Dustproof	No

Material Info

Engineering Number	FKC1GA-K774E
--------------------	--------------



Series image - Reference only

EU ELV

Not Relevant

EU RoHS

Compliant with Exemption 6(a)-I,6(c)

REACH SVHC

Not Reviewed

Halogen-Free

Status

Not Reviewed

For more information, please visit [Contact US](#)

China ROHS

50 Image

ELV

Not Relevant

RoHS Phthalates

Not Contained

Search Parts in this Series

[173111 Series](#)

Use With

FCT D-Sub, Size 1

X-ON Electronics

Largest Supplier of Electrical and Electronic Components

Click to view similar products for [D-Sub Backshells](#) category:

Click to view products by [Molex](#) manufacturer:

Other Similar products are found below :

[600X51137X](#) [600X54009X](#) [66241-12A](#) [M85049/6-38N](#) [M85049/86-12N03](#) [M85049/90-13P03](#) [70.350.0636.4](#) [70.350.2435.1](#) [72.350.1035.2](#)
[72.352.2435.1](#) [73.359.4035.3](#) [829472-1](#) [PCS-E20W](#) [970-015-040R011](#) [971-009-030R121](#) [971-009-040R011](#) [971-015-040R011](#) [DPH-B-003](#)
[1437013-9](#) [1484402-8](#) [156-3025-EX](#) [16-500800](#) [165X02659X](#) [165X03399A](#) [165X10259X](#) [165X11359X](#) [165X11759X](#) [165X11889X](#)
[165X11899X](#) [165X13019X](#) [165X13029X](#) [165X13169X](#) [165X13199X](#) [165X13239X](#) [165X13389X](#) [165X13489X](#) [165X14219X](#)
[165X14429X](#) [165X14449X](#) [165X17409X](#) [165X17439X](#) [165X17569X](#) [165X17599X](#) [165X17609X](#) [165X17979X](#) [L171373](#) [971-025-](#)
[030R121](#) [300X10989X](#) [165X02609X](#) [165X02639X](#)