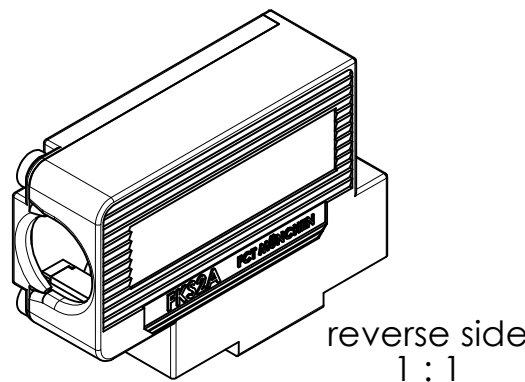
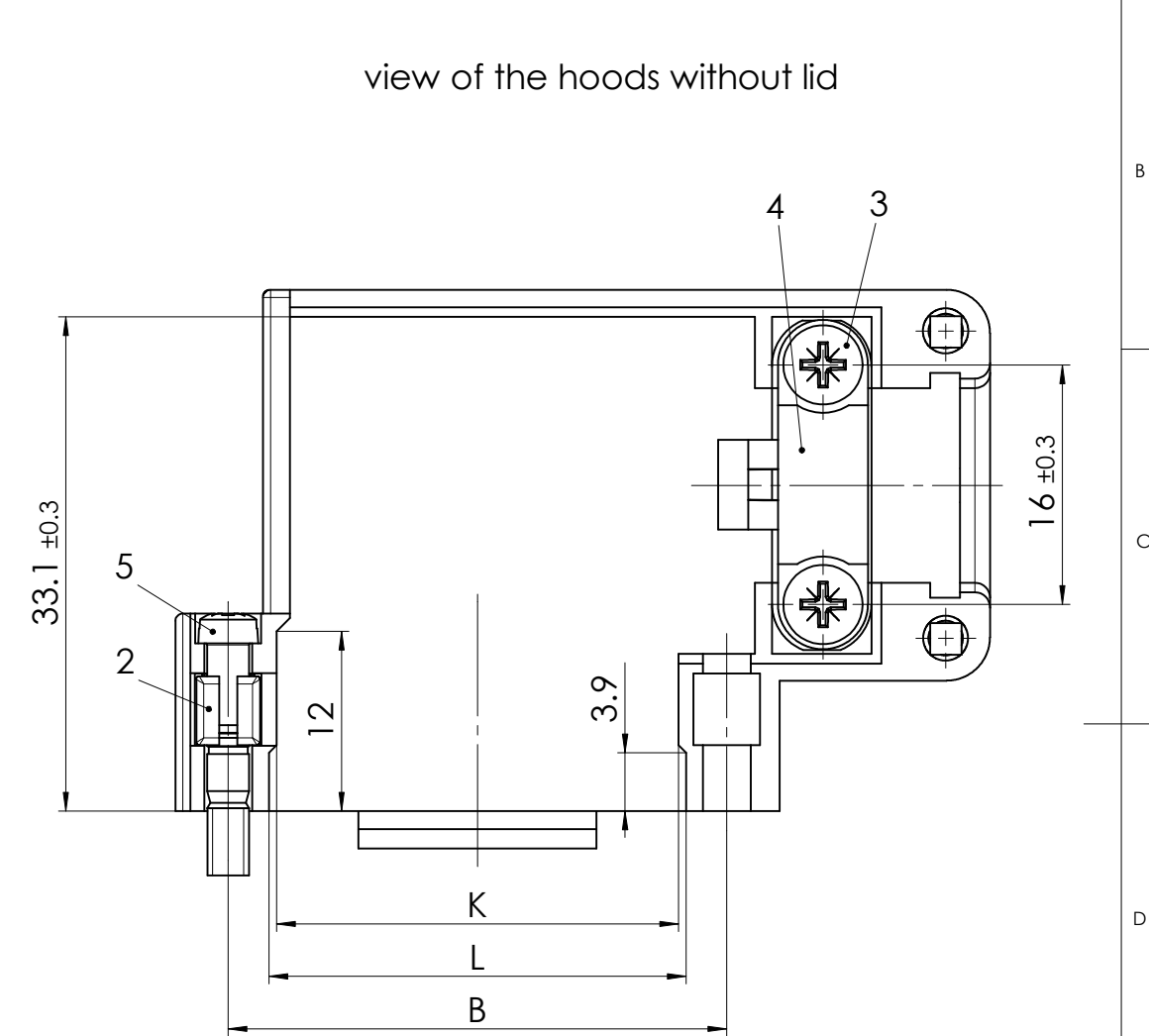
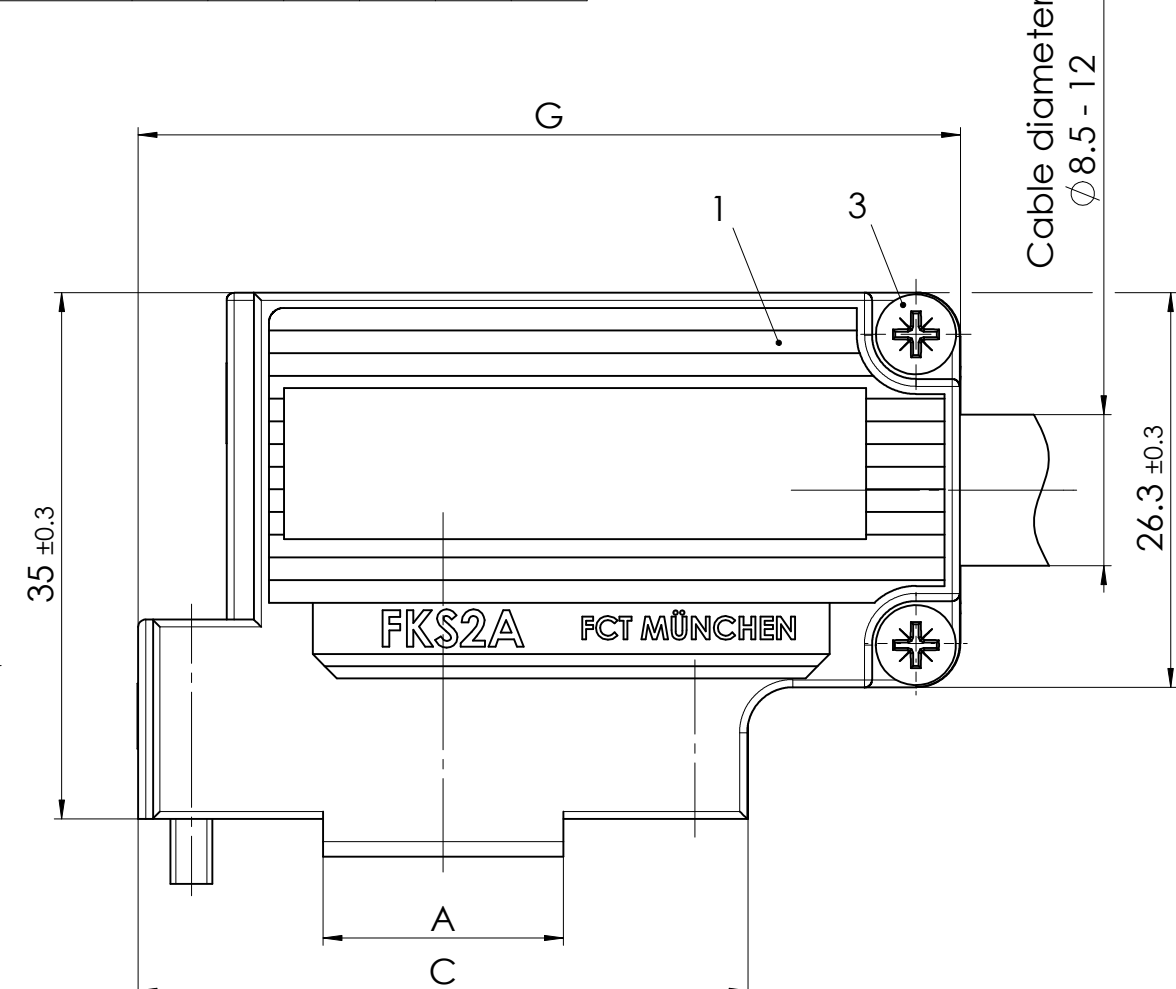
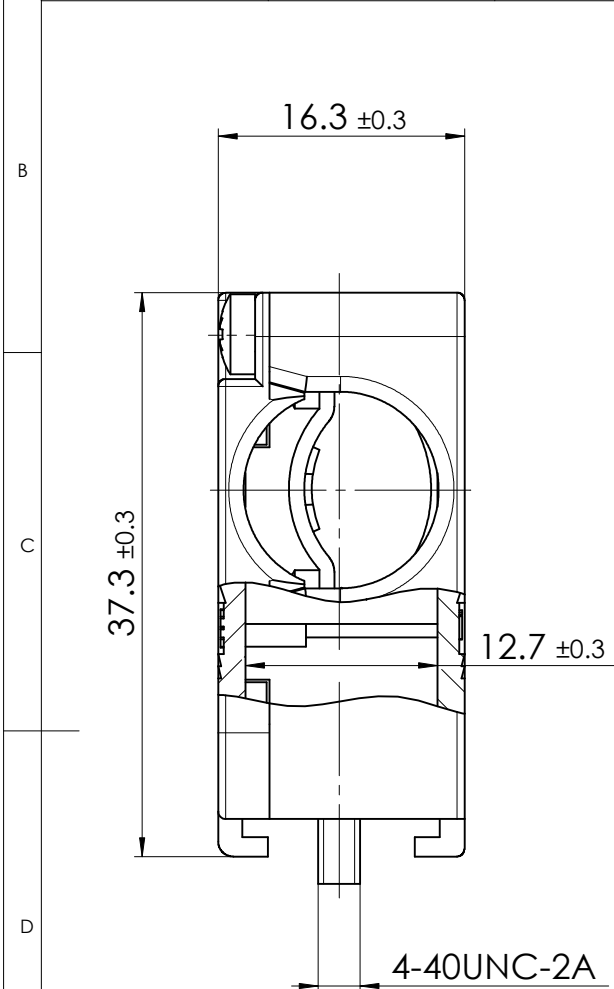


Order-No.	Order-No.	Shell Size / for No. of Contacts	A ±0.2	B ±0.1	C ±0.3	G ±0.3	K ±0.3	L ±0.3
1731110455	FKS1A-K201	1 / 9	10	25	32	46.1	18.5	19.5
1731110456	FKS1A-K201E							
1731110380	FKS2A-K201	2 / 15	16	33.3	40.3	54.4	26.8	27.8
1731110344	FKS2A-K201E							
1731110238	FKS3A-K201	3 / 25	29.7	47	54	68.1	40.5	41.5
1731110611	FKS3A-K201E							



RoHS compliant  
by exemption

max. torque are 40 Ncm  
Part-No. 3 and 4 not mounted

FKS1-3A-K201 - Units per carton  
FKS1-3A-K201E - Individually packed

No.	St.	Part	Type Description/Material	Surface plating/Colour/Class
5	1	Locking screw	FVS1/5-K1163 4-40 / Steel	nickel plated
4	1	Cable clamp	Steel	tin plated
3	4	Screw	Case hardened steel	zinc plated
2	1	Block insert	PC+ABS	black
1	1	Hood	FKS1-3A-K201 / PC+ABS	nickel plated

SYMBOLS		THIS DRAWING CONTAINS INFORMATION THAT IS PROPRIETARY TO MOLEX ELECTRONIC TECHNOLOGIES, LLC AND SHOULD NOT BE USED WITHOUT WRITTEN PERMISSION		<b>molex</b>	
▽ = 0	DIMENSION UNITS	SCALE	MEASUREMENTS WITHOUT TOLERANCE ACC. TO		
▽ = 0	mm	2:1	ISO 2768-m	PRODUCT CUSTOMER DRAWING	
▽ = 0			CURRENT REVISION	MATERIAL NUMBER	
▽ = 0			DRWN: DRAWN BY ameyerrichte 11-03-2019	see table	
▽ = 0	3	24131	APPR: APPR BY HStanisch 12-03-2019	REVISION	
▽ = 0	2	22060	INITIAL REVISION	3	
▽ = 0	1		DRWN: DRAWN BY cschoening 21-10-2009	DOCUMENT NUMBER	
▽ = 0	REV.	CH.-NO.	APPR: APPR BY BWittek 22-10-2009	FKS1-3A-K201	
■ = 0	REPLACEMENT FOR:	THIRD ANGLE PROJECTION	DRAWING	CUSTOMER	
▽ = 0	FKS1A-3A-K201a_ACAD		A3-SIZE	GENERAL MARKET	
				SHEET NUMBER	
				1 OF 1	

COMMENT: ALL RIGHTS ARE RESERVED BY US FOR THIS DRAWING. WITHOUT OUR PRIOR CONSENT, IT MAY NEITHER BE DUBLICATED NOR MADE AVAILABLE TO A THIRD PARTY. AND IT ALSO MAY NOT BE IMPROPERLY USED BY THE RECEIVER, OR A THIRD PARTY.

## X-ON Electronics

Largest Supplier of Electrical and Electronic Components

*Click to view similar products for [D-Sub Backshells](#) category:*

*Click to view products by [Molex](#) manufacturer:*

Other Similar products are found below :

[600X54009X](#) [600X56025X](#) [M85049/86-12N03](#) [70.350.0636.4](#) [70.350.2435.1](#) [72.350.1035.2](#) [72.352.2435.1](#) [73.359.4035.3](#) [829472-1](#) [PCS-E20W](#) [971-009-040R011](#) [971-015-040R011](#) [975T015-020R121](#) [DD19678-4](#) [DD-C4-J13-S1](#) [DPH-B-003](#) [165X02659X](#) [165X10899X](#)  
[165X11359X](#) [165X11689X](#) [165X13169X](#) [165X13199X](#) [165X13449X](#) [165X14219X](#) [165X14449X](#) [L171373](#) [971-037-040R011](#)  
[300X11139X](#) [975T025-020R121](#) [165X00809X](#) [165X11279X](#) [165X11629XE](#) [165X11699X](#) [165X11789X](#) [165X14029X](#) [165X17189X](#)  
[165X17559X](#) [300X10179X](#) [500-047M37H](#) [500E012J37H](#) [500S010M37H09](#) [500S010M51H10](#) [500T010E15B07](#) [500T010J09H05](#)  
[500T010J21H08](#) [500T010M09B07](#) [500T010M09F08B](#) [500T010M15E08B](#) [500T010M15F05B](#) [500T010M15H08L](#)