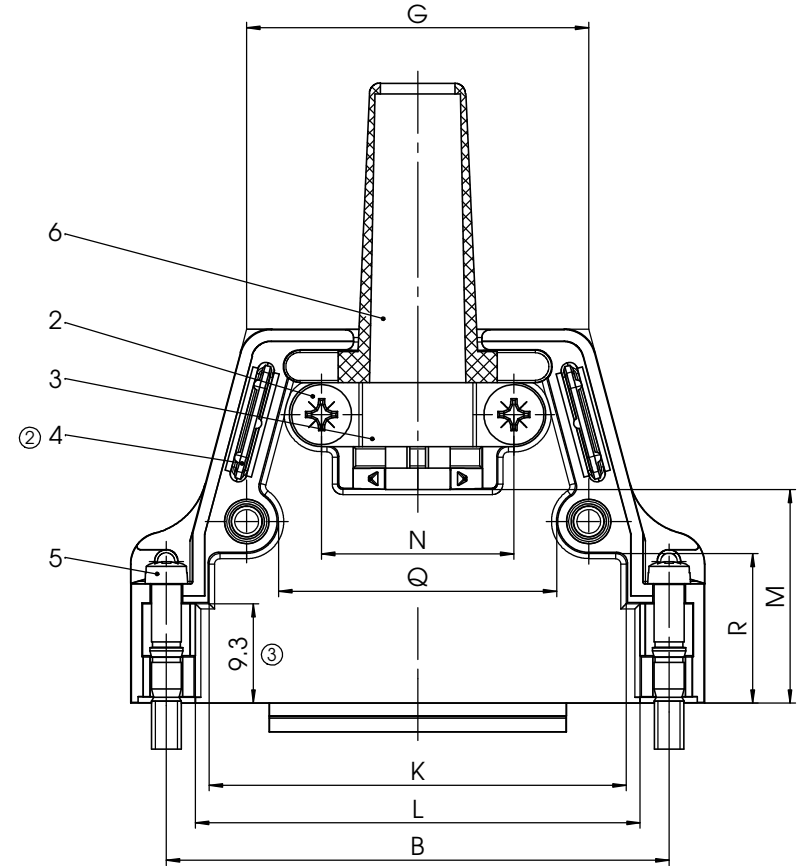
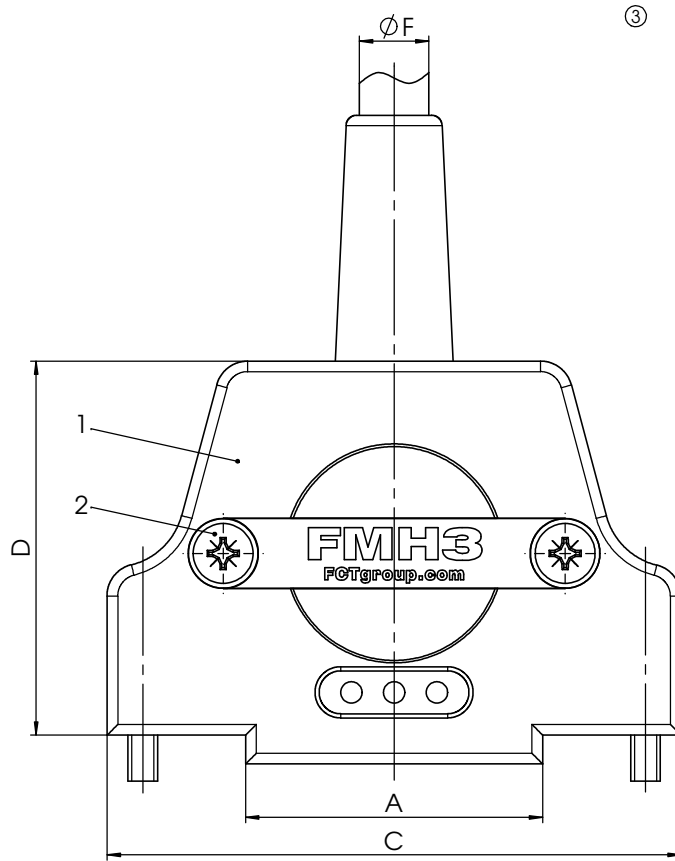
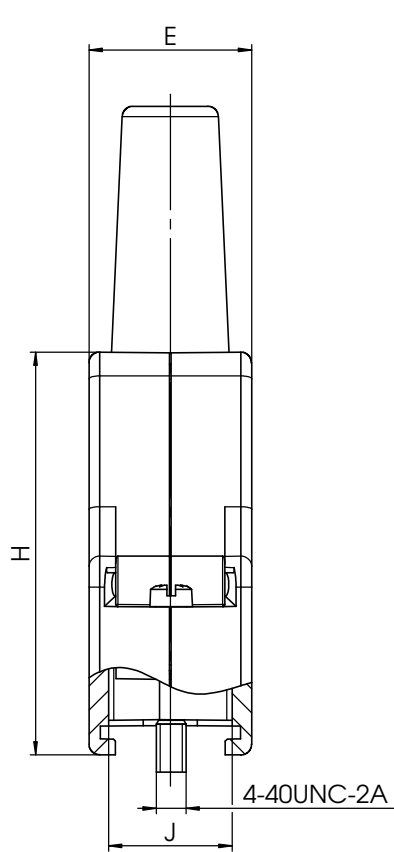


Order-No.	Shell Size / for No. of Contacts	A ±0.3	B ±0.1	C ±0.3	D ±0.3	E ±0.3	∅F1 min - max	max l	∅F2 Rubber bushing	G ±0.3	H ±0.3	J ±0.3	K ±0.3	L ±0.3	M ±0.5	N ±0.3	Q ±0.3	R ±0.3
FMH1-K935	1 / 9	10	25	31.7	30	15	5 - 8	6.5	FKT1-2	19.7	32.7	11.4	17	19.6	14.2	12	-	13
FMH2-K935	2 / 15	16.1	33.3	40	32	15	5 - 8.5	6.5	FKT1-2	21.8	34.7	11.4	25.5	27.8	16	12	14	13.1
FMH3-K935	3 / 25	27.8	47	53.7	35	15	9 - 11	9	FKT3-4	32	37.7	11.4	39	41.6	20	18	26.1	14
FMH4-K935	4 / 37	44.4	63.5	70.2	41	15	8.5 - 11	9	FKT3-4	50	43.7	11.4	55.6	58	26	18	45	19
FMH5-K935	5 / 50	42	61.1	67.8	41	17.7	10 - 12.5	11.5	FKT5	48	43.7	14.3	53.4	55.7	26	18	42.6	19

∅F1 = Cable diameter without rubber bushing
∅F2 = Cable diameter with rubber bushing

view of the hoods without lid



No.	St.	Part	Type	Description/Material	Surface plating/Colour/Class
6	1	Rubber bushing	Elastomer		black
5	2	Locking screw	FVS1/5-K1163 4-40 / Steel		nickel plated
4	2	Plate insert	Plastic		grey
3	1	Cable clamp	Steel		tin plated
2	4	Screw	Case hardened steel		zinc plated
1	1	Hood	FMH1-5 / Zinc die-cast		nickel plated

				Measurement without tolerance occ. to ISO 2768-m SCALE 2:1	TITLE
		DRAWN		NAME / DATE	
		CHECKED		Anke Meyer-Richter 12-01-2009	
				Beate Wifftek 04-03-2013	
3	20-02-2013	23399	 DWG.NO. FMH1-5-K935		
2	26-11-2012	23335			
1					
REV.	DATE	CH.-NO.	ORIGINAL: DIN A3-DRAWING AS A FILE	REPLACEMENT FOR: FMH1-5-K935g_ACAD	PAGES 1

max. torque are 40 Ncm
Part-No. 5 and 6 not mounted

COMMENT:
ALL RIGHTS ARE RESERVED BY US FOR THIS DRAWING. WITHOUT OUR PRIOR CONSENT,
IT IS NOT TO BE REPRODUCED, COPIED, TRANSMITTED OR OTHERWISE USED BY A THIRD PARTY.
AND IT ALSO MAY NOT BE IMPROPERLY USED BY THE RECEIVER, OR A THIRD PARTY.

X-ON Electronics

Largest Supplier of Electrical and Electronic Components

Click to view similar products for [D-Sub Backshells](#) category:

Click to view products by [Molex](#) manufacturer:

Other Similar products are found below :

[600X51137X](#) [600X54009X](#) [66241-12A](#) [M85049/6-38N](#) [M85049/86-12N03](#) [M85049/90-13P03](#) [70.350.0636.4](#) [70.350.2435.1](#) [72.350.1035.2](#)
[72.352.2435.1](#) [73.359.4035.3](#) [829472-1](#) [PCS-E20W](#) [970-015-040R011](#) [971-009-030R121](#) [971-009-040R011](#) [971-015-040R011](#) [DPH-B-003](#)
[1437013-9](#) [1484402-8](#) [156-3025-EX](#) [16-500800](#) [165X02659X](#) [165X03329A](#) [165X03399A](#) [165X10259X](#) [165X11359X](#) [165X11759X](#)
[165X11889X](#) [165X11899X](#) [165X13019X](#) [165X13029X](#) [165X13169X](#) [165X13199X](#) [165X13239X](#) [165X13389X](#) [165X13489X](#)
[165X14219X](#) [165X14429X](#) [165X14449X](#) [165X17409X](#) [165X17439X](#) [165X17569X](#) [165X17599X](#) [165X17609X](#) [165X17889X](#)
[165X17979X](#) [L171373](#) [971-025-030R121](#) [300X10989X](#)