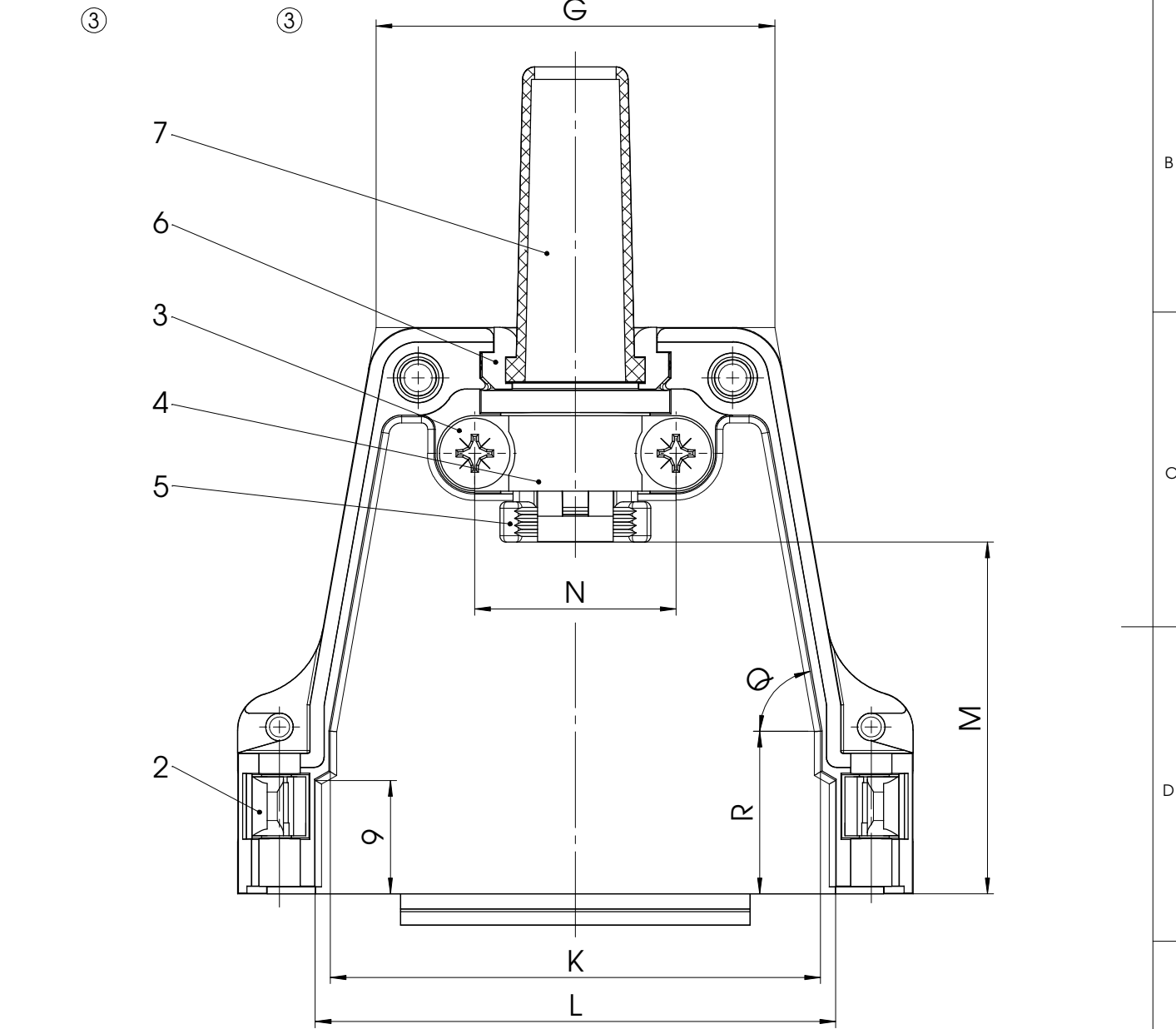
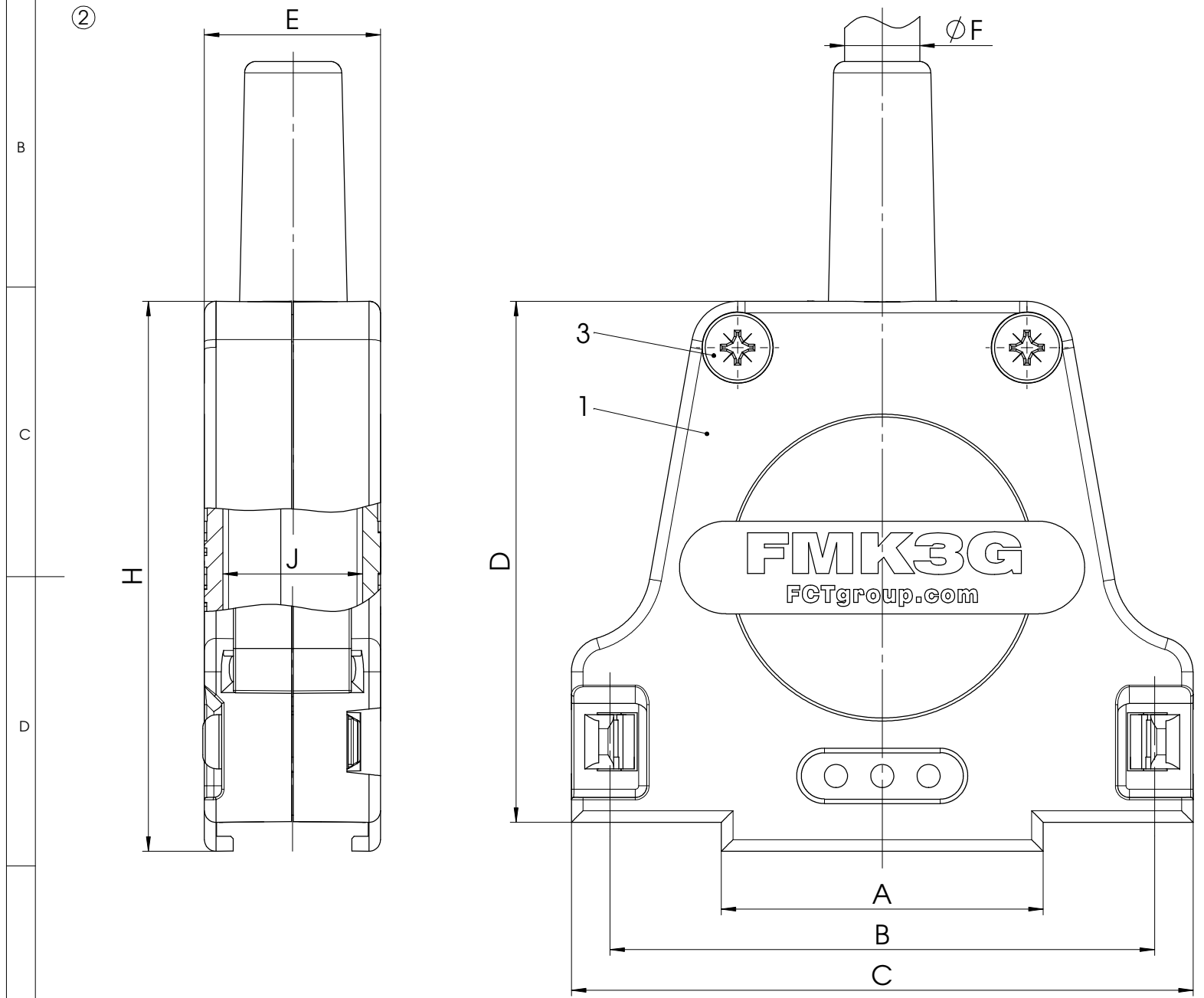


Order No.	Shell Size / for No. of Contacts	2					3		4		5								Q	R
		A ±0.3	B ±0.1	C ±0.3	D ±0.3	E ±0.3	∅F1 min - max	max	∅F2 Rubber Bushing	G ±0.3	H ±0.3	J ±0.3	K ±0.3	L ±0.3	M ±0.5	N ±0.3				
FMK1GX	1 / 9	14.9	25	31.6	39.5	15.2	3 - 9.5	6.5	FKT1-2	20.8	42	12.1	17	19.4	23.5	12	-	-		
FMK2GX	2 / 15	15.9	33.3	40	41	15.2	3 - 8.5	6.5	FKT1-2	23.3	43.5	12.1	25.8	27.9	19	16	84°	-		
FMK3GX	3 / 25	27.8	47	53.7	45	15.2	3 - 8.5	8	FKT1-2A	31.7	47.5	12.1	39	41.4	28	16	80°	12.9		
FMK4GX	4 / 37	44.3	63.5	70.2	48	18.2	3 - 12	9	FKT3-4	48.2	50.5	15.1	55.5	57.8	32.5	21	80°	16.1		
FMK5GX	5 / 50	41.9	61.1	67.8	48	18.2	3 - 12	9.7	FKT3-4A	45.8	50.5	15.1	53.1	55.5	32.5	21	80°	16.1		

∅F1 = Cable diameter without rubber bushing
∅F2 = Cable diameter with rubber bushing

view of the hoods without lid



No.	St.	Part	Type	Description/Material	Surface plating/Colour/Class
7	1	Rubber bushing	Elastomer		black
6	0/2	Cable reduction plate	Zinc die-cast		nickel plated
5	1	Strain relief	Polyester		nickel plated
4	1	Cable clamp	Steel		tin plated
3	4	Screw	Case hardened steel		zinc plated
2	2	Catch spring	Polyester		black
1	1	Hood	FMK1-5G / Zinc die-cast		nickel plated
No.	St.	Part	Type Description/Material		

③ Part 7 not mounted
FMK1GX without pos. 6
max. torque are 40 Ncm

		SCALE	TITLE
DRAWN: cpasch 28-08-2006 CHECKED: Gabriele.Wagner 07-11-2008		2:1	Metal Hood
3	06-11-2008	22250	DWG.NO. FMK1-5GX REV. 3
2	05-10-2006	21905	
1			
REV.	DATE	CH.-NO.	ORIGINAL: DIN A3-DRAWING AS A FILE REPLACEMENT FOR: FMK1-5GXa_ACAD PAGES 1

COMMENT:
ALL RIGHTS ARE RESERVED BY US FOR THIS DRAWING. WITHOUT OUR PRIOR CONSENT,
IT MAY NEITHER BE REPRODUCED NOR MADE AVAILABLE TO A THIRD PARTY,
AND IT ALSO MAY NOT BE IMPROPERLY USED BY THE RECEIVER, OR A THIRD PARTY.

X-ON Electronics

Largest Supplier of Electrical and Electronic Components

Click to view similar products for [D-Sub Backshells](#) category:

Click to view products by [Molex](#) manufacturer:

Other Similar products are found below :

[600X51137X](#) [600X54009X](#) [66241-12A](#) [M85049/6-38N](#) [M85049/86-12N03](#) [M85049/90-13P03](#) [70.350.0636.4](#) [70.350.2435.1](#) [72.350.1035.2](#)
[72.352.2435.1](#) [73.359.4035.3](#) [829472-1](#) [PCS-E20W](#) [970-015-040R011](#) [971-009-030R121](#) [971-009-040R011](#) [971-015-040R011](#) [DPH-B-003](#)
[1437013-9](#) [1484402-8](#) [156-3025-EX](#) [16-500800](#) [165X02659X](#) [165X03329A](#) [165X03399A](#) [165X10259X](#) [165X11359X](#) [165X11759X](#)
[165X11889X](#) [165X11899X](#) [165X13019X](#) [165X13029X](#) [165X13169X](#) [165X13199X](#) [165X13239X](#) [165X13389X](#) [165X13489X](#)
[165X14219X](#) [165X14429X](#) [165X14449X](#) [165X17409X](#) [165X17439X](#) [165X17569X](#) [165X17599X](#) [165X17609X](#) [165X17889X](#)
[165X17979X](#) [L171373](#) [971-025-030R121](#) [300X10989X](#)