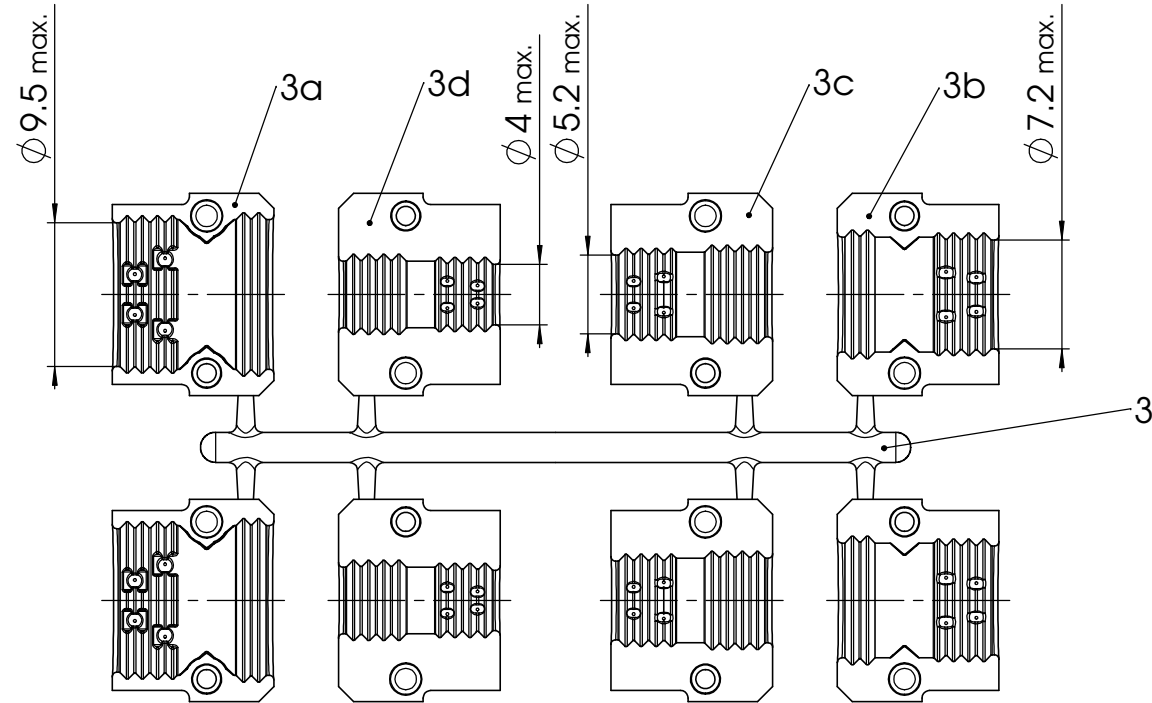
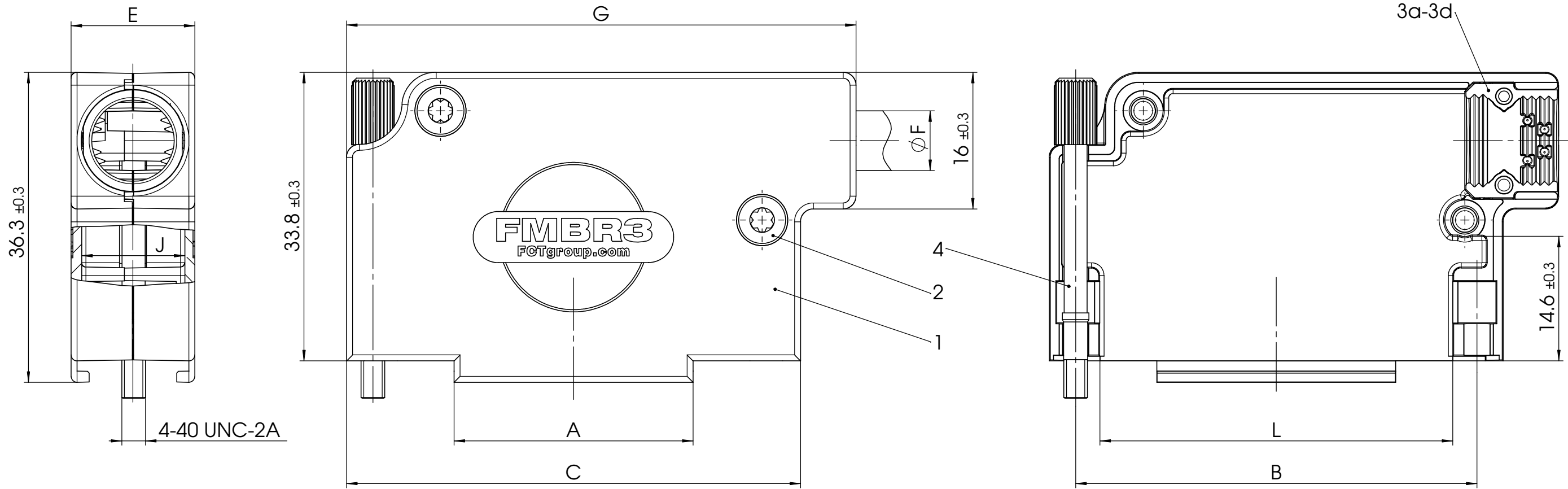


Order No.	Shell Size / for No. of Contacts	A ±0.3	B ±0.1	C ±0.3	E ±0.3	øF1	øF2 min - max	G ±0.3	J ±0.3	L ±0.3
FMBR1	1/9	13.8	25	31.2	14.5	12	3.5 - 9.5	37.7	12.1	19.4
FMBR2	2/15	22	33.3	39.5	14.5	12	3.5 - 9.5	46	12.1	27.9
FMBR3	3/25	28	47	53.2	14.5	12	3.5 - 9.5	60.2	12.1	41.4
FMBR4	4/37	45	63.5	70	14.5	12	3.5 - 9.5	76.5	12.1	57.8
FMBR5	5/50	42	61.1	67.8	17.5	12	3.5 - 9.5	74	15.1	55.5

øF1 = Cable diameter without strain relief
 øF2 = Cable diameter with strain relief

view of the hoods without lid



max. torque are 40 Ncm
 Part-No. 3 and 4 not mounted

No.	St.	Part	Type	Description/Material	Surface plating/Colour/Class
4	1	Knurled thumb screw	FRSMB1/5-K1618 4-40 / Brass	nickel plated	
3d	2	Strain relief ø4mm	Polyester	black	
3c	2	Strain relief ø5.2mm	Polyester	black	
3b	2	Strain relief ø7.2mm	Polyester	black	
3a	2	Strain relief ø9.5mm	Polyester	black	
3	1	Strain relief module	FZM-3266 / Polyester	black	
2	2	Screw	Torx T10 / Case hardened steel	zinc plated	
1	1	Hood	FMBR1-5 / Zinc die-cast	nickel plated	

Measurement without tolerance occ. to ISO 2768-m

SCALE 2:1

TITLE

NAME / DATE

DRAWN Anke Meyer-Richter 16-05-2008

CHECKED katja.schöber 12-10-2010

FCT group
fctgroup.com

TITLE		Metal hood	
DWG.NO.	FMBR1-5	REV.	1

COMMENT:
 ALL RIGHTS ARE RESERVED BY US FOR THIS DRAWING. WITHOUT OUR PRIOR CONSENT, IT MAY NEITHER BE DUBICATED NOR MADE AVAILABLE TO A THIRD PARTY. AND IT ALSO MAY NOT BE IMPROPERLY USED BY THE RECEIVER, OR A THIRD PARTY.

X-ON Electronics

Largest Supplier of Electrical and Electronic Components

Click to view similar products for [D-Sub Backshells](#) category:

Click to view products by [Molex](#) manufacturer:

Other Similar products are found below :

[600X51137X](#) [600X54009X](#) [66241-12A](#) [M85049/6-38N](#) [M85049/86-12N03](#) [M85049/90-13P03](#) [70.350.0636.4](#) [70.350.2435.1](#) [72.350.1035.2](#)
[72.352.2435.1](#) [73.359.4035.3](#) [829472-1](#) [PCS-E20W](#) [970-015-040R011](#) [971-009-030R121](#) [971-009-040R011](#) [971-015-040R011](#) [DPH-B-003](#)
[1437013-9](#) [1484402-8](#) [156-3025-EX](#) [16-500800](#) [165X02659X](#) [165X03329A](#) [165X03399A](#) [165X10259X](#) [165X11359X](#) [165X11759X](#)
[165X11889X](#) [165X11899X](#) [165X13019X](#) [165X13029X](#) [165X13169X](#) [165X13199X](#) [165X13239X](#) [165X13389X](#) [165X13489X](#)
[165X14219X](#) [165X14429X](#) [165X14449X](#) [165X17409X](#) [165X17439X](#) [165X17569X](#) [165X17599X](#) [165X17609X](#) [165X17889X](#)
[165X17979X](#) [L171373](#) [971-025-030R121](#) [300X10989X](#)