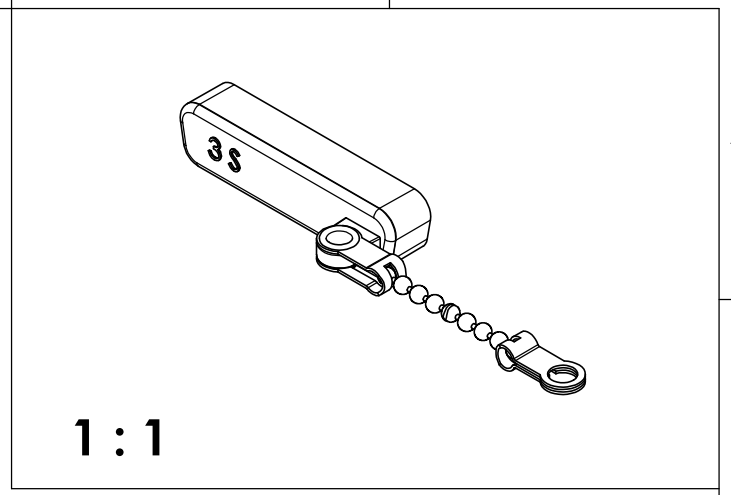
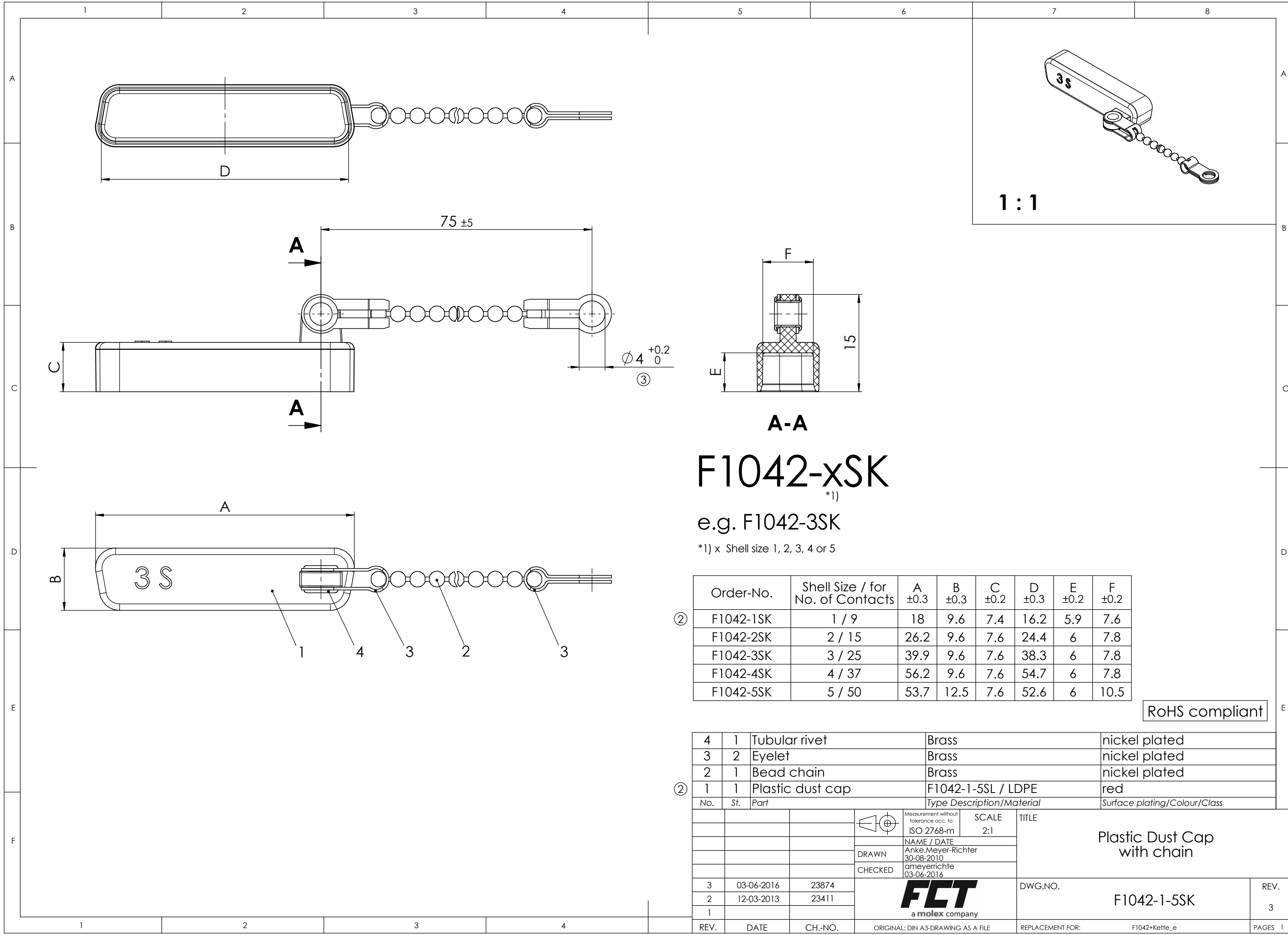


COMMENT: ALL RIGHTS ARE RESERVED BY US FOR THIS DRAWING. WITHOUT OUR PRIOR CONSENT, IT MAY NEITHER BE DUBLICATED NOR MADE AVAILABLE TO A THIRD PARTY. AND IT ALSO MAY NOT BE IMPROPERLY USED BY THE RECEIVER, OR A THIRD PARTY.



F1042-xSK

e.g. F1042-3SK

*1) x Shell size 1, 2, 3, 4 or 5

Order-No.	Shell Size / for No. of Contacts	A ±0.3	B ±0.3	C ±0.2	D ±0.3	E ±0.2	F ±0.2
② F1042-1SK	1 / 9	18	9.6	7.4	16.2	5.9	7.6
F1042-2SK	2 / 15	26.2	9.6	7.6	24.4	6	7.8
F1042-3SK	3 / 25	39.9	9.6	7.6	38.3	6	7.8
F1042-4SK	4 / 37	56.2	9.6	7.6	54.7	6	7.8
F1042-5SK	5 / 50	53.7	12.5	7.6	52.6	6	10.5

RoHS compliant

No.	St.	Part	Type	Description/Material	Surface plating/Colour/Class
4	1	Tubular rivet	Brass		nickel plated
3	2	Eyelet	Brass		nickel plated
2	1	Bead chain	Brass		nickel plated
② 1	1	Plastic dust cap	F1042-1-5SL / LDPE		red

	Measurement without tolerance occ. to ISO 2768-m SCALE 2:1 TITLE Plastic Dust Cap with chain DRAWN Anke.Meyer-Richter 30-08-2010 CHECKED ameyerrichte 03-06-2016 	DWG.NO. F1042-1-5SK REV. 3
REV. DATE CH.-NO. ORIGINAL: DIN A3-DRAWING AS A FILE	REPLACEMENT FOR: F1042+Kette_e	PAGES 1

X-ON Electronics

Largest Supplier of Electrical and Electronic Components

Click to view similar products for [Accessories for Robotics and RC](#) category:

Click to view products by [Molex](#) manufacturer:

Other Similar products are found below :

[56T705](#) [015-9516-002](#) [01.001.6453.0](#) [641763-8](#) [CW106-01X](#) [CW30101A](#) [CW31701A](#) [D2041839](#) [70.352.0628.0](#) [73.353.4028.1](#) [FB22001A](#)
[FB30601A](#) [9009030000](#) [9501](#) [121587-0026](#) [1218510-1](#) [1218629-4](#) [1218630-4](#) [1261000A00M001](#) [128-26-5](#) [RFI77-14](#) [1367251-2](#) [14](#) [1-](#)
[449604-1](#) [1460g4](#) [1470g4](#) [DV0PM20034](#) [MS27488-16-1](#) [MS3057-12A W/B](#) [MS3057-8A-624](#) [MS600-2-XP-1A](#) [MS-602-GEE-14-07C](#)
[MS603-12-01A](#) [MS90376-14R](#) [MS90376-16RB](#) [MTB1-11PH3](#) [1676610000](#) [1A9224 REV A](#) [210-115](#) [CA20L22](#) [2227383-1](#) [225-0090-000](#)
[225-0098-000](#) [KA-89-82](#) [CB20201X](#) [KC-89-104](#) [CB30601A](#) [CB31201A](#) [236-600](#) [CBC120210-752](#)