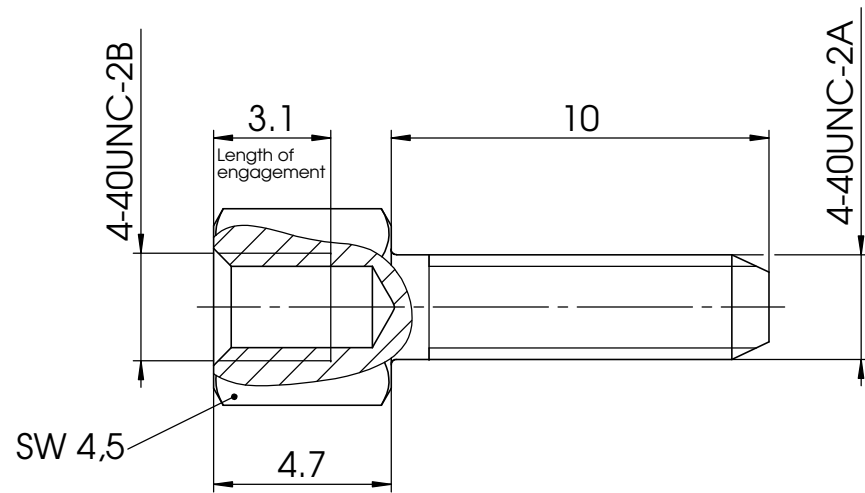


COMMENT:
 ALL RIGHTS ARE RESERVED BY US FOR THIS DRAWING. WITHOUT OUR PRIOR CONSENT,
 IT MAY NEITHER BE DUBLICATED NOR MADE AVAILABLE TO A THIRD PARTY,
 AND IT ALSO MAY NOT BE IMPROPERLY USED BY TE RECEIVER, OR A THIRD PARTY.

1	2	3	4	5	6		
	Surface	Screw (quantity)	Washer (quantity)	Spring washer (quantity)	Nut (quantity)	Package	Notice
F-GSCH1/5-K186	zinc plated 1)	2	4	2	2	in pairs	Packed together in a bag
F-GSCH1/5-K186SN	tin plated	2	4	2	2	in pairs	Packed together in a bag
F-GSCH1/5-K186S	zinc plated 1)	max. 5000	max. 5000	max. 5000	max. 5000	bulk packed	Individually packed in bags
F-GSCH1/5-K186SSN	tin plated	max. 5000	max. 5000	max. 5000	max. 5000	bulk packed	Individually packed in bags
F-GSCH1/5-K186AU13	gold plated	2	4	2	2	in pairs	Packed together in a bag

1) with tension control fluid



					Measurement without tolerance acc. to ISO 2768-m	SCALE 5:1	TITLE	
					DATE	NAME	Female screw lock F-GSCH1/5-K186 4-40/4-40	
				DRAWN	11-09-2003	Denzinger		
				CHECKED	11-11-2004	aschiekofer		
2				 www.fctgroup.com			DWG.NO.	F62M042_D
1							REV.	

X-ON Electronics

Largest Supplier of Electrical and Electronic Components

Click to view similar products for [D-Sub Tools & Hardware](#) category:

Click to view products by [Molex](#) manufacturer:

Other Similar products are found below :

[000-01-09-132](#) [000-01-21-132](#) [000-01-31-162](#) [572019-00105-70](#) [000-01-37-162](#) [621-250-113-115](#) [D110550-2](#) [D20418-137](#) [780-518-50SG6-WS](#) [86552009](#) [86553115TLF](#) [86553117TLF](#) [1230032-1](#) [1-5021101-2](#) [15-000050](#) [1589283-4](#) [160-000-005R031](#) [16-000230](#) [160-025-004R031](#) [160-020-209R000](#) [160X10909X](#) [164C03939A](#) [177-505-A-2-2](#) [1-966830-8](#) [21018-6](#) [2-1393560-9](#) [JS-1000](#) [L17D204182M3E](#) [L17D53018](#) [300X10779X](#) [160X10189X](#) [160X10419X](#) [162-000-050R000](#) [21018-5](#) [212561-3](#) [248C21550X](#) [CF15P](#) [QLOCKPOST-2](#) [D110277](#) [500-008NF1K-01](#) [500-008NF3R3KS-01](#) [500-017M09FN](#) [500-017M15MHN](#) [500-024M1](#) [500-068M3](#) [5-1393561-5](#) [C115373-0001](#) [C115373-0002](#) [3342-4-KIT](#) [K1003](#)