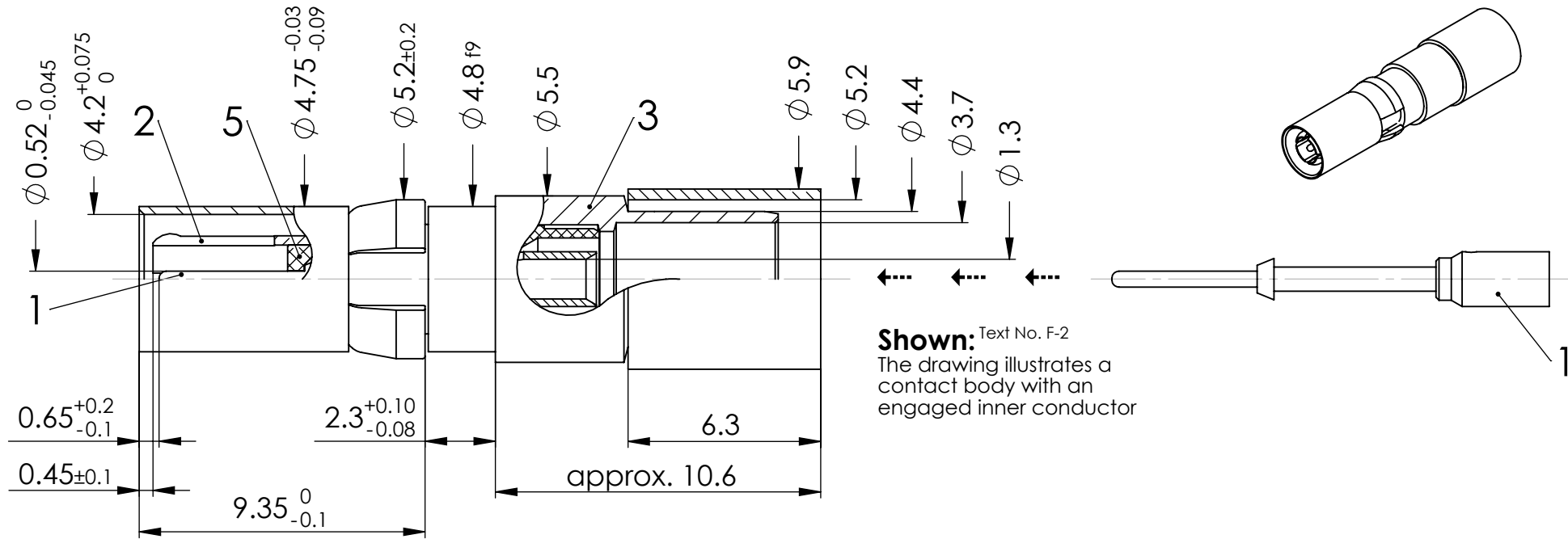
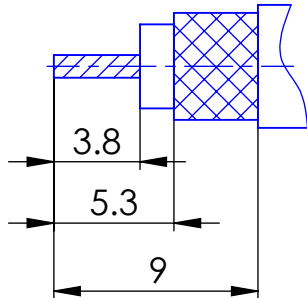


COMMENT:
 ALL RIGHTS ARE RESERVED BY US FOR THIS DRAWING. WITHOUT OUR PRIOR CONSENT,
 IT MAY NEITHER BE DUPLICATED NOR MADE AVAILABLE TO A THIRD PARTY,
 AND IT ALSO MAY NOT BE IMPROPERLY USED BY TE RECEIVER, OR A THIRD PARTY.



(Block No. C-7)
 Cable trimming dimensions



RoHS compliant
 by exemption

MATERIAL-NO.	Plating Spec.
1731120419	102

Crimpingtools on supplement AM0660

SYMBOLS $\nabla_{FA} = 0$ $\nabla_{FE} = 0$ $\nabla_{FP} = 0$ $\nabla_S = 0$ $\blacktriangledown = 0$ $\nabla_C = 0$ $\boxtimes = 0$ $\blacksquare = 0$ $\nabla = 0$	THIS DRAWING CONTAINS INFORMATION THAT IS PROPRIETARY TO MOLEX ELECTRONIC TECHNOLOGIES, LLC AND SHOULD NOT BE USED WITHOUT WRITTEN PERMISSION				<h1 style="margin: 0;">molex</h1> <p style="margin: 0;">FCT Coaxial Contact</p> <p style="margin: 0;">PRODUCT CUSTOMER DRAWING</p>							
	DIMENSION UNITS	SCALE	FOR	CABLE		<table border="0" style="width: 100%;"> <tr> <td colspan="2">CURRENT REVISION</td> </tr> <tr> <td>DRWN: DRAWN BY</td> <td>FVetter 01-08-2019</td> </tr> <tr> <td>APPR: APPR BY</td> <td>MTeubel 02-09-2019</td> </tr> </table>	CURRENT REVISION		DRWN: DRAWN BY	FVetter 01-08-2019	APPR: APPR BY	MTeubel 02-09-2019
	CURRENT REVISION											
	DRWN: DRAWN BY	FVetter 01-08-2019										
APPR: APPR BY	MTeubel 02-09-2019											
UNLESS OTHERWISE SPECIFIED DIMENSIONS FOR REFERENCE ONLY		EN 60603-2	RG58CU, RG141AU	<table border="0" style="width: 100%;"> <tr> <td colspan="2">INITIAL REVISION</td> </tr> <tr> <td>DRWN: DRAWN BY</td> <td>ffuhrmann 20-10-2006</td> </tr> <tr> <td>APPR: APPR BY</td> <td>msteinbrueck 23-11-2006</td> </tr> </table>	INITIAL REVISION		DRWN: DRAWN BY	ffuhrmann 20-10-2006	APPR: APPR BY	msteinbrueck 23-11-2006		
INITIAL REVISION												
DRWN: DRAWN BY	ffuhrmann 20-10-2006											
APPR: APPR BY	msteinbrueck 23-11-2006											
MATERIAL + FINISH SEE EXTRA SHEET				<table border="1" style="width: 100%;"> <tr> <td colspan="2">MATERIAL NUMBER</td> <td>REVISION</td> </tr> <tr> <td colspan="2" style="text-align: center;">see table</td> <td style="text-align: center;">4</td> </tr> </table>	MATERIAL NUMBER		REVISION	see table		4		
MATERIAL NUMBER		REVISION										
see table		4										
4	24160			<table border="1" style="width: 100%;"> <tr> <td>DOCUMENT NUMBER</td> <td>CUSTOMER</td> <td>SHEET NUMBER</td> </tr> <tr> <td>FDS005S</td> <td>GENERAL MARKET</td> <td>1 OF 1</td> </tr> </table>	DOCUMENT NUMBER	CUSTOMER	SHEET NUMBER	FDS005S	GENERAL MARKET	1 OF 1		
DOCUMENT NUMBER	CUSTOMER	SHEET NUMBER										
FDS005S	GENERAL MARKET	1 OF 1										
REV.	CH.-NO.	REPLACEMENT FOR:	THIRD ANGLE PROJECTION	DRAWING	IMPEDANCE							
				A4-SIZE	50 Ohm							

X-ON Electronics

Largest Supplier of Electrical and Electronic Components

Click to view similar products for [D-Sub Contacts](#) category:

Click to view products by [Molex](#) manufacturer:

Other Similar products are found below :

[D02-22-26S-10000](#) [8656352067LF](#) [131A15029X](#) [132A11019X](#) [132J22039X](#) [132A11029X](#) [132A11049X](#) [132A12059X](#) [1757912-1](#) [188582-000](#) [162A11889X](#) [1757913-1](#) [212558-1](#) [030-1955-000](#) [053744-0098](#) [053744-0099](#) [053745-0105](#) [053745-0111](#) [601098N003](#) [D-610-10CS2962](#) [86303057NLF](#) [131A11019X](#) [162A11819X](#) [40-9854MP](#) [1-208778-5](#) [FC120N2](#) [MC7526D/AA](#) [MC8122D/AA](#) [FC4010D-15](#) [FC4006D](#) [121A05329A](#) [164C16669X](#) [86566620064LF](#) [131A13019X](#) [DLS3XS5AK40X](#) [09692825723](#) [VS-BU-KX-50-RG58](#) [030-1954-000](#) [L17DM53744207](#) [L17RRD1M11400](#) [030-1952-000](#) [1655496](#) [030-1953-000](#) [030-1953-030](#) [132C11039X](#) [132J15019X](#) [132C15019X](#) [132A10039X](#) [131A10029X](#) [8638PSC2006LF](#)