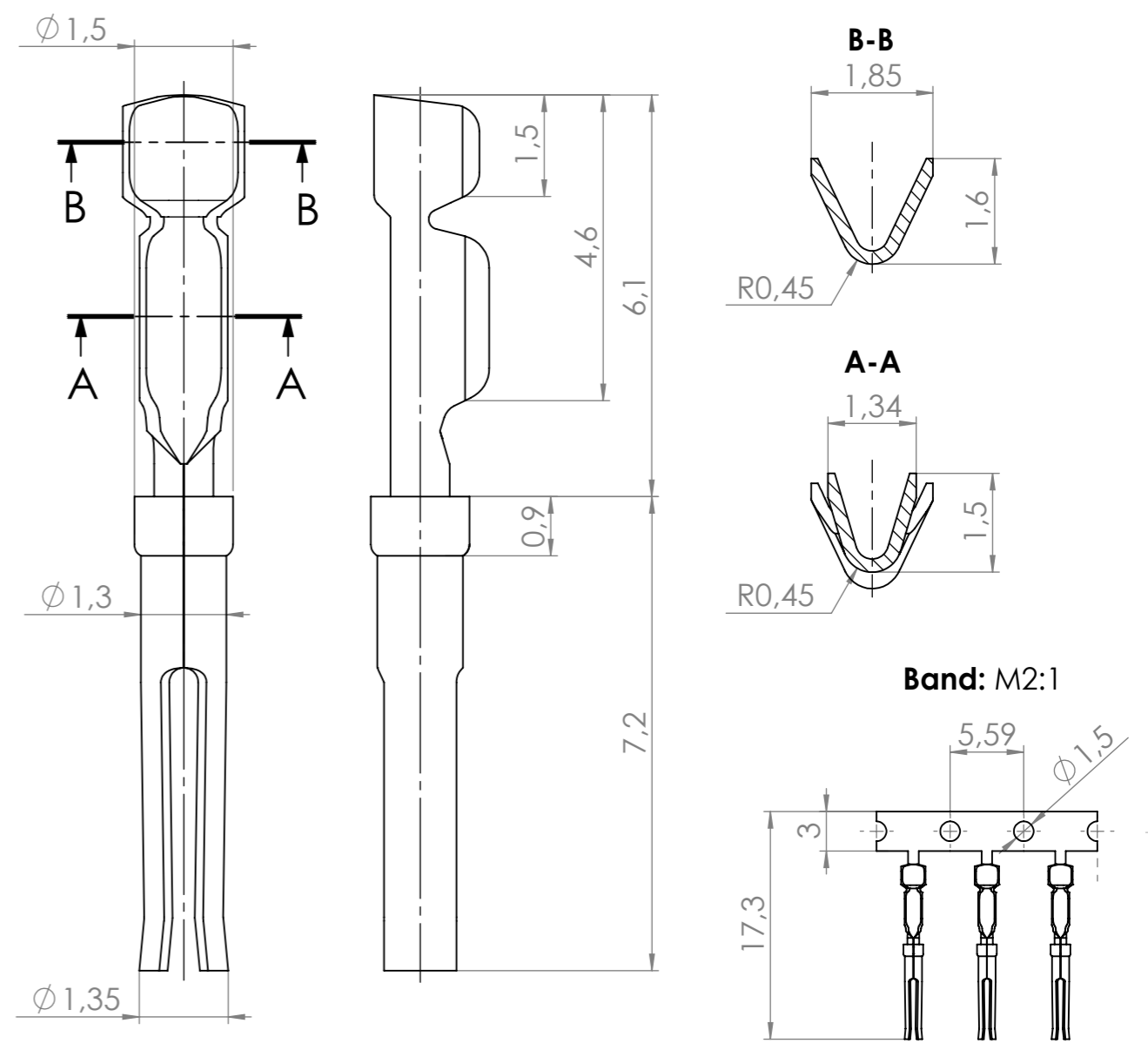


PIN

Material: Copper alloy
 Stamped crimp pin contact for wire size 24-28,
 plating 0.6 μm (25 microinches) Au over Ni.
 The contacts are selectively gold plated in the mating area.

1731120748	P110-06V-6098	300 pcs on one reel
1731120648	P110-06V-5876	2,000 pcs on one reel
1731120751	P110-06V-6103	10,000 pcs on one reel
SAP No.	FCT Part No.	Packing Unit (Stück)

RoHS compliant



SOCKET

Material: Copper alloy
 Stamped crimp socket contact for wire size 24-28,
 plating 0.6 μm (25 microinches) Au over Ni.
 The contacts are selectively gold plated in the mating area.

1731120749	S110-06V-6098	300 pcs on one reel
1731120254	S110-06V-5876	2,000 pcs on one reel
1731120750	S110-06V-6103	10,000 pcs on one reel
SAP No.	Part No.	Packing Unit (Stück)

RoHS compliant

Measurement without tolerance occ. to ISO 2768-m	SCALE 10:1	TITLE
NAME / DATE fischneider01 19-06-2018	HD Crimp contacts, stamped for wire size 24-28AWG	
CHECKED sschref 19-06-2018		



DWG.NO.	S110 / P110_D	REV.	1
REPLACEMENT FOR:		PAGES	1

COMMENT: ALL RIGHTS ARE RESERVED BY US FOR THIS DRAWING. WITHOUT OUR PRIOR CONSENT, IT MAY NEITHER BE DUBLICATED NOR MADE AVAILABLE TO A THIRD PARTY. AND IT ALSO MAY NOT BE IMPROPERLY USED BY THE RECEIVER, OR A THIRD PARTY.

X-ON Electronics

Largest Supplier of Electrical and Electronic Components

Click to view similar products for [D-Sub Contacts](#) category:

Click to view products by [Molex](#) manufacturer:

Other Similar products are found below :

[D02-22-26S-10000](#) [8656352067LF](#) [131A15029X](#) [132A11019X](#) [132J22039X](#) [132A11029X](#) [132A11049X](#) [132A12059X](#) [1757912-1](#) [188582-000](#) [162A11889X](#) [1757913-1](#) [212558-1](#) [030-1955-000](#) [053744-0098](#) [053744-0099](#) [053745-0105](#) [053745-0111](#) [601098N003](#) [D-610-10CS2962](#) [86303057NLF](#) [131A11019X](#) [162A11819X](#) [40-9854MP](#) [1-208778-5](#) [FC120N2](#) [MC7526D/AA](#) [MC8122D/AA](#) [FC4010D-15](#) [FC4006D](#) [121A05329A](#) [164C16669X](#) [86566620064LF](#) [131A13019X](#) [DLS3XS5AK40X](#) [09692825723](#) [VS-BU-KX-50-RG58](#) [030-1954-000](#) [L17DM53744207](#) [L17RRD1M11400](#) [030-1952-000](#) [1655496](#) [030-1953-000](#) [030-1953-030](#) [132C11039X](#) [132J15019X](#) [132C15019X](#) [132A10039X](#) [131A10029X](#) [8638PSC2006LF](#)