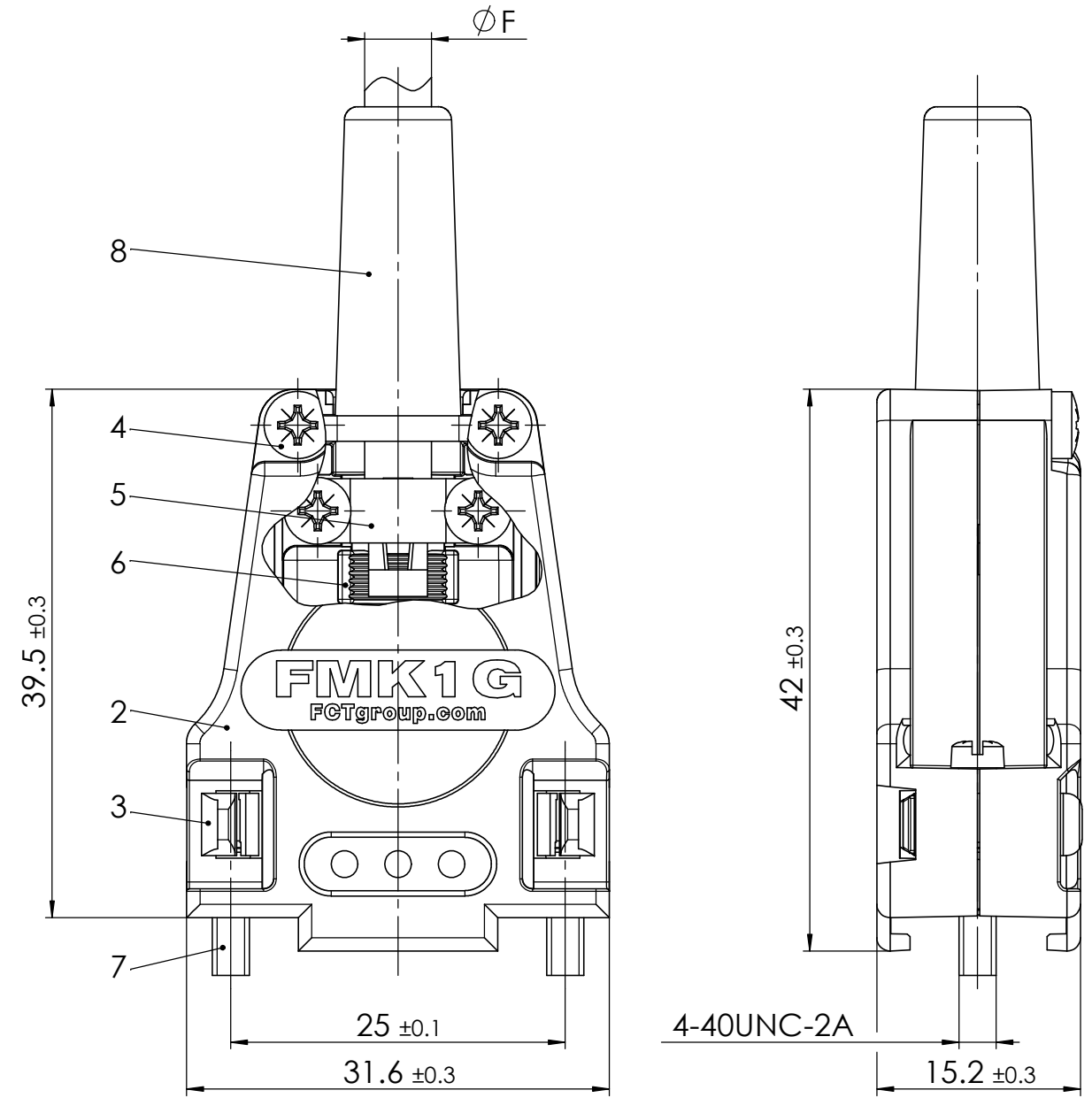


reverse side  
1:1

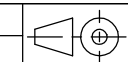
RoHS compliant

max. torque are 40 Ncm  
Part-No. 8, 9 and 10 not mounted

øF1 = Cable diameter without rubber bushing ø3 - ø9.5mm  
øF2 = Cable diameter with rubber bushing max. 6.5mm



No.	St.	Part	Type	Description/Material	Surface plating/Colour/Class
10	1	High power contact	FMP006S204		AuroPur / 20A / AWG 12-16
9	1	High power contact	FMP006P204		AuroPur / 20A / AWG 12-16
8	1	Rubber bushing	TPE		black
7	2	Locking screw	FVS1/5-K1163 4-40 / Steel		nickel plated
6	1	Strain relief	ABS		nickel plated
5	1	Cable clamp	Steel		tin plated
4	4	Screw	Case hardened steel		zinc plated
3	2	Catch spring	PEI		black
2	1	Hood	FMK1G / Zinc die-cast		nickel plated
1	1	Mixed-Layout Connector	F2W2PC-K120		



Measurement without tolerance occ. to ISO 2768-m

SCALE 2:1

TITLE

Hood Connector Set

DRAWN ameyerrichte 12-10-2016

CHECKED BWittek 14-10-2016



DWG.NO.

FMK1G-2W2PCA-5934

REV.

1

REPLACEMENT FOR:

PAGES 1

COMMENT: ALL RIGHTS ARE RESERVED BY US FOR THIS DRAWING. WITHOUT OUR PRIOR CONSENT, IT MAY NEITHER BE DUBLICATED NOR MADE AVAILABLE TO A THIRD PARTY. AND IT ALSO MAY NOT BE IMPROPERLY USED BY THE RECEIVER, OR A THIRD PARTY.

## X-ON Electronics

Largest Supplier of Electrical and Electronic Components

*Click to view similar products for D-Sub Adapters & Gender Changers category:*

*Click to view products by Molex manufacturer:*

Other Similar products are found below :

[243A11600X](#) [30-9532P](#) [MAP3XAAAH02R262X](#) [500-135](#) [173114-0099](#) [76000670](#) [FCE17-E09AD-250](#) [FCE17-E09AD-290](#) [76000560](#)  
[GCHDLP44M44F](#) [GCLP37M37M](#) [76000702](#) [76000700](#) [GCHDLPF15M15M](#) [76000698](#) [NADB9MF](#) [FCE17-C37AD-290](#) [30-9520](#) [P156-000](#)  
[P152-000](#) [2902318](#) [P150-000](#) [2902317](#) [320X10549X](#) [2902320](#) [230016003](#) [FCC17-A15AD-250](#) [FCC17-C37AD-450](#) [2796121](#) [56F705-004-](#)  
[LI](#) [FCE17B25AD2E0](#) [236017003](#) [234017003](#) [2902323](#) [2902326](#) [40-9538F](#) [163A50009X](#) [163A50019X](#) [NADB15FF-B](#) [NADB9FF-B](#)  
[243A10030X](#) [76000671](#) [16-501373](#) [FCC17-A15AD-280](#) [FCC17-E09AD-210](#) [FCC17-E09AD-240](#) [FCE17-A15AD-250](#) [FCE17-B25AD-210](#)  
[FCE17-B25AD-250](#) [FCE17B25AD290](#)