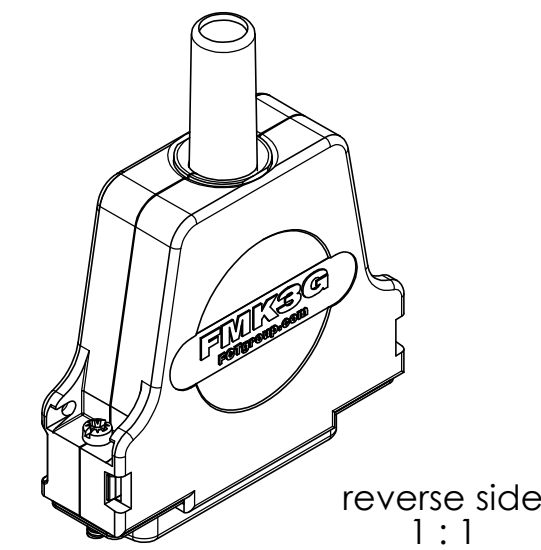
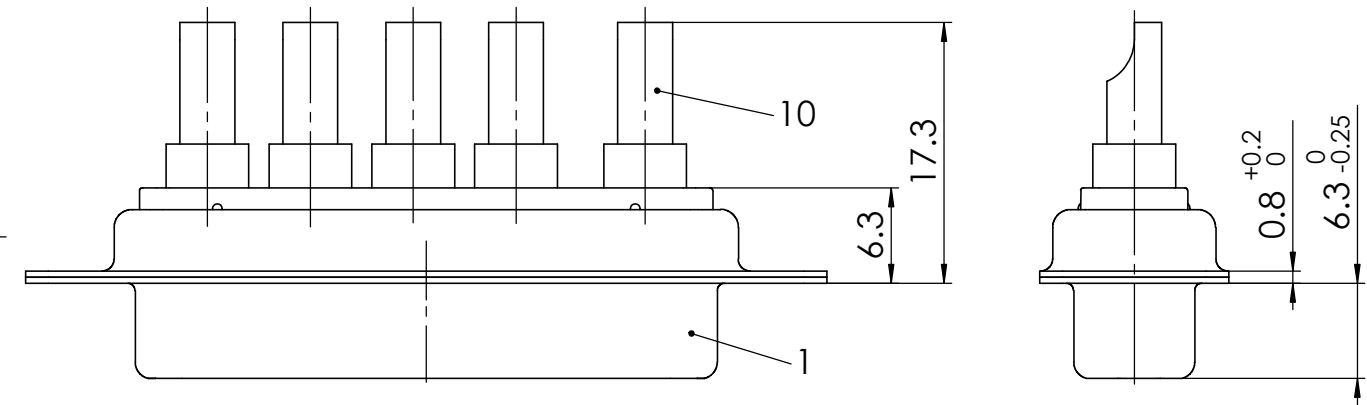
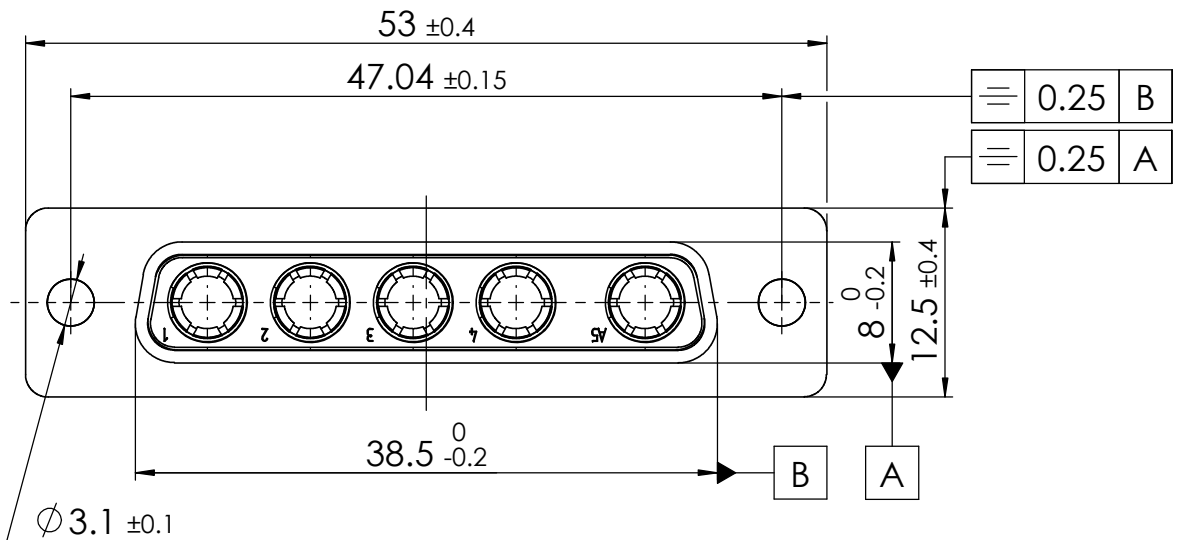


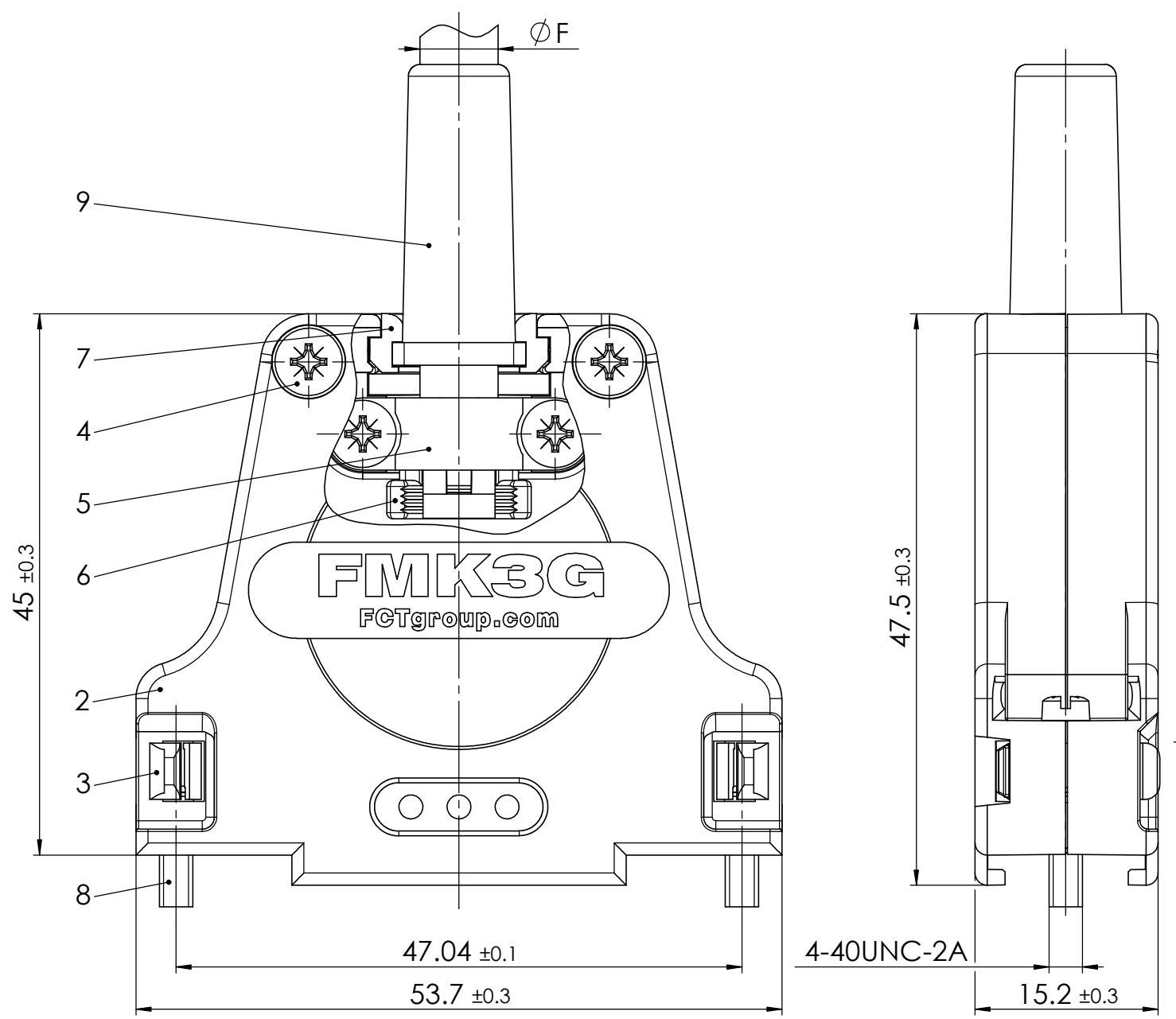
COMMENT: ALL RIGHTS ARE RESERVED BY US FOR THIS DRAWING. WITHOUT OUR PRIOR CONSENT, IT MAY NEITHER BE DUBLICATED NOR MADE AVAILABLE TO A THIRD PARTY. AND IT ALSO MAY NOT BE IMPROPERLY USED BY THE RECEIVER, OR A THIRD PARTY.



RoHS compliant

max. torque are 40 Ncm  
Part-No. 9 and 10 not mounted

øF1 = Cable diameter without rubber bushing ø3 - ø8.5mm  
øF2 = Cable diameter with rubber bushing max. 8mm



| No. | St. | Part                   | Type                      | Description/Material | Surface plating/Colour/Class |
|-----|-----|------------------------|---------------------------|----------------------|------------------------------|
| 10  | 5   | High power contact     | FMP006S204                |                      | AuroPur / 20A / AWG 12-16    |
| 9   | 1   | Rubber bushing         | TPE                       |                      | black                        |
| 8   | 2   | Locking screw          | FVS1/5-K1163 4-40 / Steel |                      | nickel plated                |
| 7   | 2   | Cable reduction plate  | Zinc die-cast             |                      | nickel plated                |
| 6   | 1   | Strain relief          | ABS                       |                      | nickel plated                |
| 5   | 1   | Cable clamp            | Steel                     |                      | tin plated                   |
| 4   | 4   | Screw                  | Case hardened steel       |                      | zinc plated                  |
| 3   | 2   | Catch spring           | PEI                       |                      | black                        |
| 2   | 1   | Hood                   | FMK3G / Zinc die-cast     |                      | nickel plated                |
| 1   | 1   | Mixed-Layout Connector | FM5W5S-K121               |                      |                              |

|                                    |      |  |         |                  |                    |
|------------------------------------|------|--|---------|------------------|--------------------|
|                                    |      | Measurement without tolerance occ. to ISO 2768-m |         | SCALE            | TITLE              |
|                                    |      |  |         | 2:1              | Hood Connector Set |
| DRAWN                              |      | ameyerrichte                                     |         |                  |                    |
| CHECKED                            |      | BWittek  |         |                  |                    |
|                                    |      | 14-10-2016                                       |         |                  |                    |
|                                    |      | FCT  |         | DWG.NO.          |                    |
|                                    |      | a molex company                                  |         | FMK3G-5W5SA-5938 |                    |
| 1                                  | REV. | DATE   | CH.-NO. | REPLACEMENT FOR: | REV.               |
|                                    |      |  |         |                  | 1                  |
| ORIGINAL: DIN A3-DRAWING AS A FILE |      |  |         | PAGES 1          |                    |

## X-ON Electronics

Largest Supplier of Electrical and Electronic Components

*Click to view similar products for D-Sub Adapters & Gender Changers category:*

*Click to view products by Molex manufacturer:*

Other Similar products are found below :

[243A11600X](#) [30-9532P](#) [MAP3XAAAH02R262X](#) [500-135](#) [173114-0099](#) [76000670](#) [FCE17-E09AD-250](#) [FCE17-E09AD-290](#) [76000560](#)  
[GCHDLP44M44F](#) [GCLP37M37M](#) [76000702](#) [76000700](#) [GCHDLPF15M15M](#) [76000698](#) [NADB9MF](#) [FCE17-C37AD-290](#) [30-9520](#) [P156-000](#)  
[P152-000](#) [2902318](#) [P150-000](#) [2902317](#) [320X10549X](#) [2902320](#) [230016003](#) [FCC17-A15AD-250](#) [FCC17-C37AD-450](#) [2796121](#) [56F705-004-](#)  
[LI](#) [FCE17B25AD2E0](#) [236017003](#) [234017003](#) [2902323](#) [2902326](#) [40-9538F](#) [163A50009X](#) [163A50019X](#) [NADB15FF-B](#) [NADB9FF-B](#)  
[243A10030X](#) [76000671](#) [16-501373](#) [FCC17-A15AD-280](#) [FCC17-E09AD-210](#) [FCC17-E09AD-240](#) [FCE17-A15AD-250](#) [FCE17-B25AD-210](#)  
[FCE17-B25AD-250](#) [FCE17B25AD290](#)