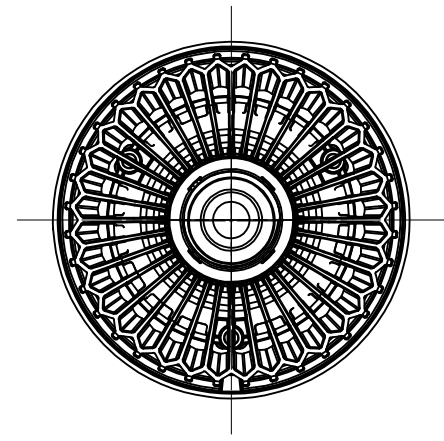
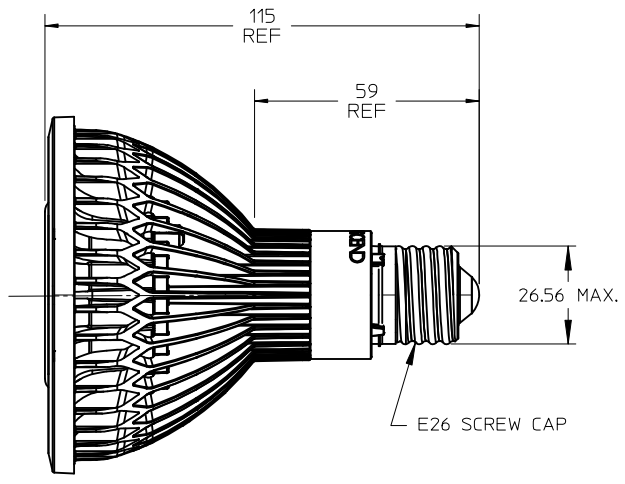
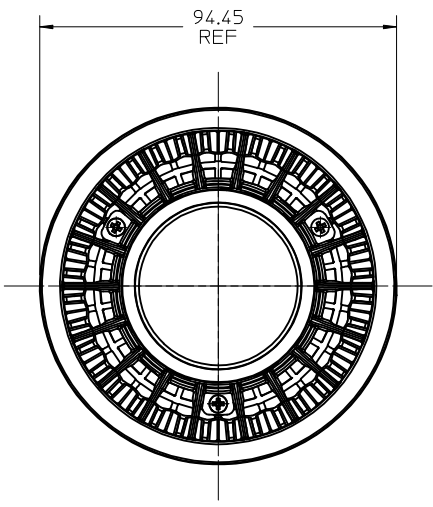
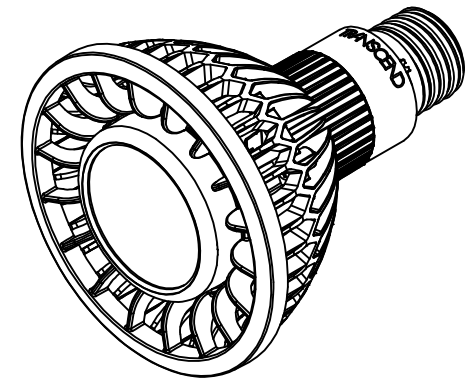


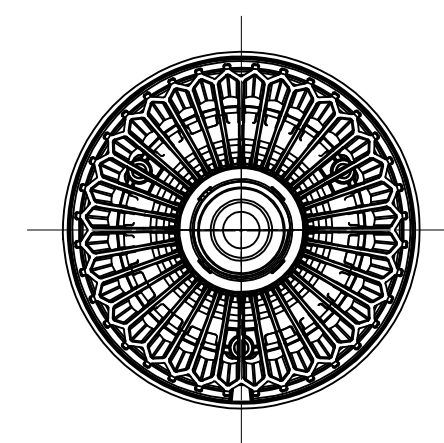
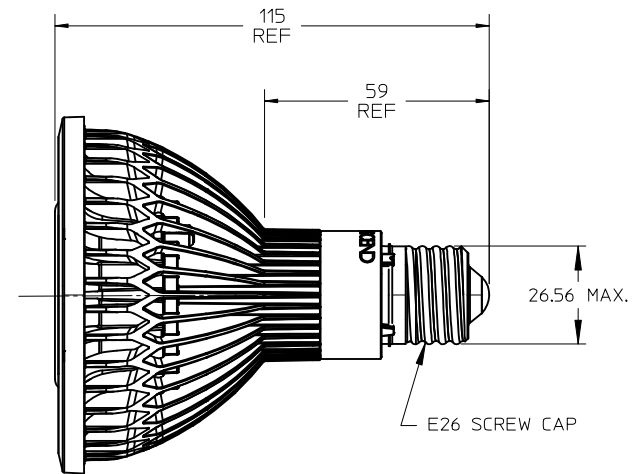
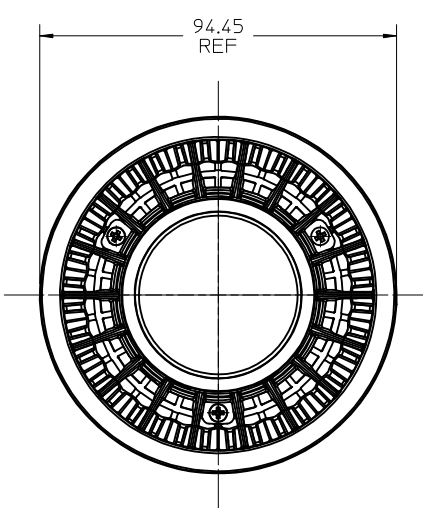
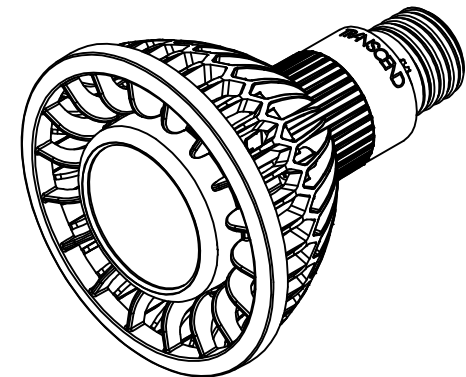
KIT MATERIAL NO.	DESCRIPTION	SPQ	PACKAGING SPECIFICATION	LAMP P/N MARKING
1801302021	PAR30-L LED LAMP IN TRAY PACKAGING	16	E-180130-900	1801302020
1801302022	PAR30-L LED LAMP IN CLAMSHELL PACKAGING	4	E-180130-901	1801302020



- NOTES:
- 1) MEETS UL 1993 TESTING FOR SELF BALLASTED LAMPS AND LAMP ADAPTERS.
 - 2) UL FILE E322950.
 - 3) OPERATING VOLTAGE: 120VOLTS @ 60HZ
 - 4) POWER CONSUMPTION: 12.5 WATTS.
 - 5) LUMEN OUTPUT: 700 LUMENS.
 - 6) COLOR TEMP: 3000K
 - 7) POWER FACTOR: GREATER THAN 0.90.
 - 8) SUITABLE FOR DAMP ENVIRONMENT.
 - 9) DO NOT USE WHERE DIRECTLY EXPOSED TO WATER.
 - 9) NOT FOR USE IN TOTALLY ENCLOSED FIXTURES.

PROD. RELEASE EC NO: SSL2013-0047 DRWNG: DACHAMME 2012/10/16 CHKD: DACHAMMER 2012/10/16 APPR: DMCGOWAN 2012/10/17	QUALITY SYMBOLS 	GENERAL TOLERANCES (UNLESS SPECIFIED)		DIMENSION STYLE MM ONLY	SCALE 1:1	DESIGN UNITS METRIC	THIRD ANGLE PROJECTION
		4 PLACES ± --- ± ---	mm INCH	DRAWN BY DATE FJAKL I C 2011/03/24	TITLE TRANSCEND PAR30-L LED LAMP		
		3 PLACES ± --- ± ---		CHECKED BY DATE ACHAMMER 2011/11/15	MOLEX INCORPORATED		
		2 PLACES ± 0.13 ± --- 1 PLACE ± 0.25 ± ---		APPROVED BY DATE DMCGOWAN 2011/11/29	ANGULAR ± 1/2°	SEE CHART	DOCUMENT NO. SD-180130-001
DRAFT WHERE APPLICABLE MUST REMAIN WITHIN DIMENSIONS		SIZE C		THIS DRAWING CONTAINS INFORMATION THAT IS PROPRIETARY TO MOLEX INCORPORATED AND SHOULD NOT BE USED WITHOUT WRITTEN PERMISSION			

KIT MATERIAL NO.	DESCRIPTION	SPQ	PACKAGING SPECIFICATION	LAMP P/N MARKING
1801302021	PAR30-L LED LAMP IN TRAY PACKAGING	16	E-180130-900	1801302020
1801302022	PAR30-L LED LAMP IN CLAMSHELL PACKAGING	4	E-180130-901	1801302020



- NOTES:
- 1) MEETS UL 1993 TESTING FOR SELF BALLASTED LAMPS AND LAMP ADAPTERS.
 - 2) UL FILE E322950.
 - 3) OPERATING VOLTAGE: 120VOLTS @ 60HZ
 - 4) POWER CONSUMPTION: 12.5 WATTS.
 - 5) LUMEN OUTPUT: 700 LUMENS.
 - 6) COLOR TEMP: 3000K
 - 7) POWER FACTOR: GREATER THAN 0.90.
 - 8) SUITABLE FOR DAMP ENVIRONMENT.
 - 9) DO NOT USE WHERE DIRECTLY EXPOSED TO WATER.
 - 9) NOT FOR USE IN TOTALLY ENCLOSED FIXTURES.

PROD. RELEASE EC NO: SSL2013-0047 DRWNG: DACHAMME 2012/10/16 CHKD: DACHAMMER 2012/10/16 APPR: DMCGOWAN 2012/10/17	QUALITY SYMBOLS 	GENERAL TOLERANCES (UNLESS SPECIFIED)		DIMENSION STYLE MM ONLY	SCALE 1:1	DESIGN UNITS METRIC	THIRD ANGLE PROJECTION
		4 PLACES ± --- ± --- 3 PLACES ± --- ± --- 2 PLACES ± 0.13 ± --- 1 PLACE ± 0.25 ± ---	mm INCH ± --- ± --- ± 0.13 ± --- ± 0.25 ± ---	DRAWN BY DATE FJAKL I C 2011/03/24	CHECKED BY DATE ACHAMMER 2011/11/15	APPROVED BY DATE DMCGOWAN 2011/11/29	TITLE TRANSCEND PAR30-L LED LAMP
REV B	DESCRIPTION DRAFT WHERE APPLICABLE MUST REMAIN WITHIN DIMENSIONS	ANGULAR ±1/2°		MATERIAL NO. SEE CHART	DOCUMENT NO. SD-180130-001	MOLEX INCORPORATED	
				SIZE C	THIS DRAWING CONTAINS INFORMATION THAT IS PROPRIETARY TO MOLEX INCORPORATED AND SHOULD NOT BE USED WITHOUT WRITTEN PERMISSION		

X-ON Electronics

Largest Supplier of Electrical and Electronic Components

Click to view similar products for [LED Lighting Modules](#) category:

Click to view products by [Molex](#) manufacturer:

Other Similar products are found below :

[CDM-14-3018-90-36-DW01](#) [LPS1-01C24-4070-00](#) [XHP50A-0L-02-0D0BH430E](#) [28085](#) [LMH020-0850-27G9-00000SS](#) [LMH020-0850-27G9-00001SS](#) [LMH020-1250-27G9-00001SS](#) [LMH020-2000-27G9-00001SS](#) [LMH020-3000-27G9-00000SS](#) [LMH020-6000-30G9-00001TW](#) [LMH020-6000-40G9-00001TW](#) [LMH020-8000-30G9-00001TW](#) [LMH020-8000-40G9-00001TW](#) [LMH02B-1250-30G9-00000TW](#) [LMH02B-3000-35G9-00001TW](#) [LMH02B-3000-40G9-00001TW](#) [LMR020-0650-35F9-20100TW](#) [LLT-3R](#) [Z-G4-15WW](#) [ZM-1610-CW](#) [ZM-189-CW](#) [ZM-6223-CW](#) [ZRS-8480-CW](#) [ZRS-8480-WW](#) [L218-3080024C30000](#) [L218-3080048C00000](#) [L218-3580024C30000](#) [L218-3580048C00000](#) [L218-4080024C30000](#) [L218-4090024C30000](#) [L218-4090048C00000](#) [L218-5080024C30000](#) [L2M0-4070003MC3300](#) [L2M0-4070004MC2200](#) [L2M0-5070003MC3300](#) [L2M0-5770005MC3300](#) [CBM-120-FR-C15-RA100](#) [CBM-120-UV-C31-K380-21](#) [CBM-120-UV-X31-I365-22](#) [CBM-120-UV-X31-L400-22](#) [CBM-90-IRD-X33-K850](#) [CBT-120-G-C11-JK200](#) [CBT-140-WCS-L16-UA120](#) [CBT-140-WCS-L16-UA122](#) [CBT-140-WCS-L16-UA123](#) [CBT-140-WDH-L16-QB220](#) [CBT-140-WDH-L16-RA220](#) [CBT-90-B-L11-G100](#) [CBT-90-B-L11-H101](#) [CBT-90-B-L11-J101](#)