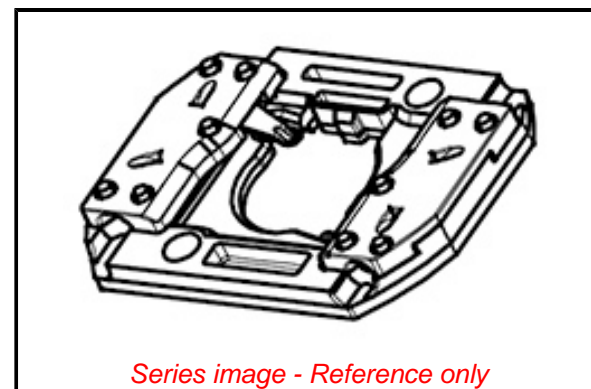


PLEASE CHECK WWW.MOLEX.COM FOR LATEST PART INFORMATION

Part Number: [1804142112](#)
Status: **Active**
Overview: LED Array Holders for Citizen and Similar COB Arrays
Description: LED Array Holder for 13.50 by 13.50mm COB, Gold (Au) Plating, PBT, One-Piece Design, without Tab Cap, White

Documents:

3D Model	Application Specification AS-180414-001-001 (PDF)
Drawing (PDF)	Packaging Specification PK-180419-005-001 (PDF)
3D Model (PDF)	Test Summary TS-180155-001-001 (PDF)
Product Specification 1804140000-PS-000 (PDF)	RoHS Certificate of Compliance (PDF)



Agency Certification

UL E345583

General

Product Family	Solid State Lighting
Series	180414
Array Type	Citizen
Beam Angle	N/A
Overview	LED Array Holders for Citizen and Similar COB Arrays
Product Name	Wire Trap Holder
Type	LED COB Array Holder
UPC	889056023528

Physical

Base Type	N/A
Color Rendering Index (CRI)	N/A
Correlated Color Temp (CCT)	N/A
Depth	0.75mm
Flammability	94V-0
Lamp Type	N/A
Material - Metal	Copper Alloy
Mounting Style	Screws
Net Weight	3.451/g
Packaging Type	Tray

Electrical

Lamp Wattage - Maximum	N/A
Lumens	N/A
Voltage (Fixture) - Maximum	300V DC
Wiring Style	Poke In Wire Traps

Material Info

Reference - Drawing Numbers

Application Specification	AS-180414-001-001
Packaging Specification	PK-180419-005-001
Product Specification	1804140000-PS-000
Sales Drawing	SD-180414-112-001
Test Summary	TS-180155-001-001

EU ELV

Not Relevant

EU RoHS

Not Reviewed

REACH SVHC

Not Contained Per -
ED/61/2018 (27 June
2018)

Halogen-Free

Status

Not Low-Halogen

For more information, please visit [Contact US](#)

China ROHS

ELV

RoHS Phthalates

China RoHS

Green Image

Not Relevant

Not Contained

Search Parts in this Series

[180414 Series](#)

Use With

13.50mm by 13.50mm COB

X-ON Electronics

Largest Supplier of Electrical and Electronic Components

Click to view similar products for [LED Lighting Mounting Accessories](#) category:

Click to view products by [Molex](#) manufacturer:

Other Similar products are found below :

[C16142_HEKLA-SOCKET-K](#) [3SU1401-1BG20-1AA0](#) [3SU1900-0BC31-0NB0](#) [ES16-RT](#) [1SFA616921R2042](#) [1SFA616921R2131](#)
[1SFA616921R2133](#) [1SFA616921R2143](#) [1SFA611621R1093](#) [B8910020](#) [D3980022](#) [E3990022](#) [E3990040](#) [CABI12 E BK 1M SET PRM](#)
[FLAT8 H/U BK 1M SET PRM](#) [BEGTIN12 J/S BK 1M SET PRM](#) [1-2213678-6](#) [C16791_CLAMP-Z45-A](#) [F17250_SOLDER-CLIP-A](#) [CM22-](#)
[4-20MA](#) [CM22-R10K-MT](#) [CM22-R1K](#) [CM22-R50K](#) [CM22-R5K-MT](#) [10465](#) [M22-A](#) [M22-CK11](#) [M22-CK20](#) [M22G-XGPV](#) [M22-K01](#)
[M22-LCH-W](#) [M22-LC-R](#) [M22-LED230-R](#) [M22-LED230-W](#) [M22-LEDC230-G](#) [M22-LEDC-G](#) [M22-LEDC-W](#) [M22-LED-G](#) [M22-LED-W](#)
[M22-L-G](#) [M22-LH-G](#) [M22-LH-R](#) [M22-LH-W](#) [M22-L-R](#) [M22-L-W](#) [M22-L-X](#) [M22-MS](#) [M22-R10K](#) [M22-R1K](#) [M22-R470K](#)