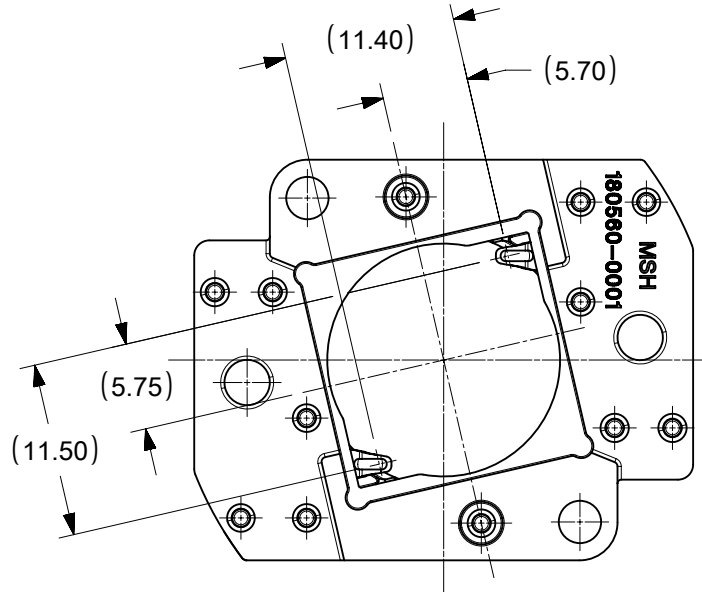
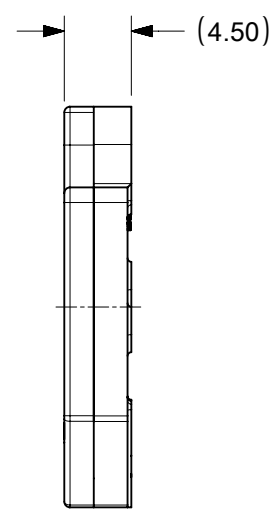
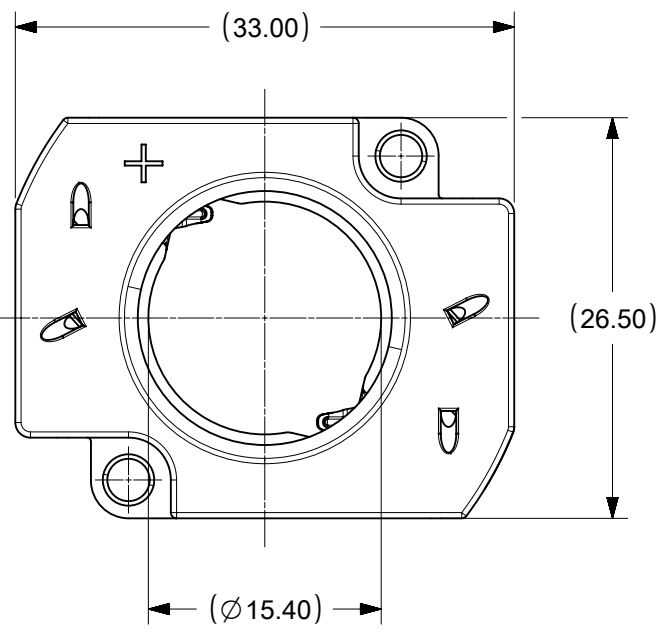
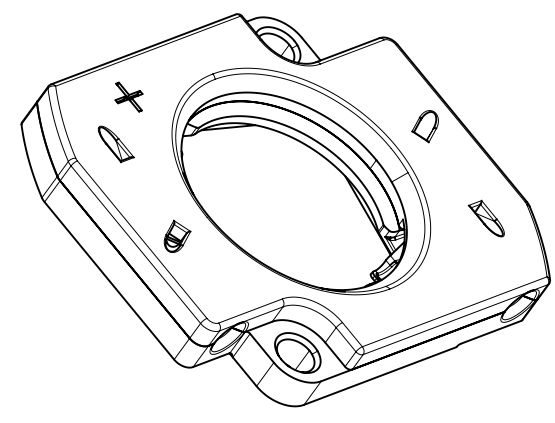
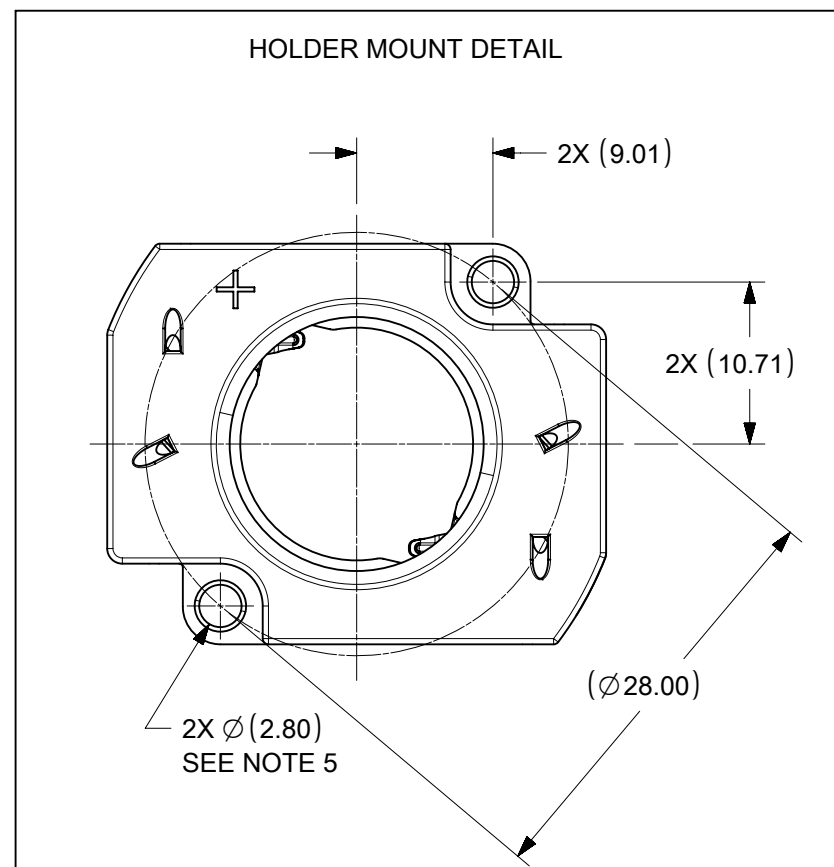


9	8	7	6	5	4	3	2	1
PART NUMBER	DESCRIPTION	MATERIAL	COLOR					
180560-0001	LED HOLDER - PBT	POLYESTER, GLASS FILLED	WHITE					



180560-0001

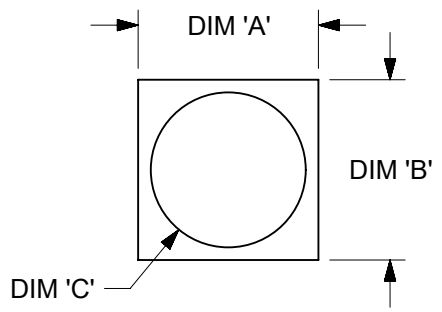


- NOTES:
- 1) MATERIALS: SEE CHART.
 - 2) WIRE TRAP TERMINALS: COPPER ALLOY.
 - a. FINISH: SELECTIVE GOLD OVER NICKEL.
 - 3) THIS PRODUCT IS ELV AND ROHS COMPLIANT.
 - 4) APPLICABLE WIRE GAUGE - 18 OR 22 AWG
 - a. SOLID WIRE IS RECOMMENDED.
 - b. IF STRANDED WIRE IS USED, PRE-TINNED IS RECOMMENDED.
 - c. 11.0mm±1.0mm STRIP LENGTH IS RECOMMENDED.
 - 5) MOUNT HOLDER USING M2.5 SCREWS (2); 0.40 MIN - 0.80 MAX NEWTON METERS TORQUE.
 - 6) ALL DIMENSIONS IN PARENTHESES "(X.XX)" ARE FOR REFERENCE ONLY.
 - 7) UL:OLFB2 UL496 FILE: E345583.

THIS DRAWING CONTAINS INFORMATION THAT IS PROPRIETARY TO MOLEX ELECTRONIC TECHNOLOGIES, LLC AND SHOULD NOT BE USED WITHOUT WRITTEN PERMISSION									
DIMENSION UNITS		SCALE		CURRENT REV DESC:					
MM		2:1		EC NO: 612277 DRWN: AKUMAR19 2018/10/09 CHK'D: AYIN 2019/02/19 APPR: AYIN 2019/02/19 INITIAL REVISION: DRWN: FJAKLIC 2012/08/10 APPR: DMCGOWAN 2012/08/17					
GENERAL TOLERANCES (UNLESS SPECIFIED)									
		MM	INCH						
4 PLACES	±		±						
3 PLACES	±		±						
2 PLACES	±	0.13	±						
1 PLACE	±	0.25	±						
0 PLACES	±		±						
ANGULAR TOL		± 0.5°		MATERIAL NUMBER: SEE TABLE CUSTOMER: GENERAL MARKET SHEET NUMBER: 1 OF 2					
DRAFT WHERE APPLICABLE MUST REMAIN WITHIN DIMENSIONS		THIRD ANGLE PROJECTION		DRAWING		SERIES		DOCUMENT NUMBER	
				B-SIZE		180560		SD-180560-001	
								PSD 001 B	

DOCUMENT STATUS	P1	RELEASE DATE	2019/02/19	04:35:12
-----------------	----	--------------	------------	----------

COB MFG	TYPE	DIM 'A'	DIM 'B'	THICKNESS	DIM 'C'
CREE	CXA1507	15.85	15.85	1.15	10.5
CREE	CXA1510	15.85	15.85	1.15	10.5
CREE	CXA1512	15.85	15.85	1.15	10.5
CREE	CXA1520	15.85	15.85	1.00	10.5
CREE	CXB1507	15.85	15.85	1.15	10.5
CREE	CXB1512	15.85	15.85	1.15	10.5
CREE	CXB1520	15.85	15.85	1.00	10.5
BRIDGELUX	H9	15.85	15.85	1.10	10.5



THIS DRAWING CONTAINS INFORMATION THAT IS PROPRIETARY TO MOLEX ELECTRONIC TECHNOLOGIES, LLC AND SHOULD NOT BE USED WITHOUT WRITTEN PERMISSION											
DIMENSION UNITS		SCALE		CURRENT REV DESC:				molex			
MM		1:1		EC NO: 612277							
GENERAL TOLERANCES (UNLESS SPECIFIED)				DRWN: AKUMAR19		2018/10/09		COB HOLDER ASSEMBLY 15.85MM X 15.85MM			
				CHK'D: AYIN		2019/02/19					
4 PLACES ±				APPR: AYIN		2019/02/19		PRODUCT CUSTOMER DRAWING			
3 PLACES ±				INITIAL REVISION:		DOCUMENT NUMBER		DOC TYPE	DOC PART	REVISION	
2 PLACES ± 0.13				DRWN: FJAKLIC		2012/08/10		SD-180560-001	PSD	001	B
1 PLACE ± 0.25				APPR: DMCGOWAN		2012/08/17		MATERIAL NUMBER	CUSTOMER		SHEET NUMBER
0 PLACES ±				DRAFT WHERE APPLICABLE MUST REMAIN WITHIN DIMENSIONS		THIRD ANGLE PROJECTION	DRAWING	SERIES	SEE TABLE	GENERAL MARKET	2 OF 2
ANGULAR TOL ± 0.5°				B-SIZE	180560						

DOCUMENT STATUS	P1	RELEASE DATE	2019/02/19	04:35:12
-----------------	----	--------------	------------	----------

X-ON Electronics

Largest Supplier of Electrical and Electronic Components

Click to view similar products for [LED Lighting Mounting Accessories](#) category:

Click to view products by [Molex](#) manufacturer:

Other Similar products are found below :

[C16142_HEKLA-SOCKET-K](#) [3SU1401-1BG20-1AA0](#) [3SU1401-1BH60-1AA0](#) [3SU1900-0BC31-0NB0](#) [ES16-RT](#) [1SFA616921R2042](#)
[1SFA616921R2131](#) [1SFA616921R2133](#) [1SFA616921R2143](#) [1SFA611621R1093](#) [B8910020](#) [D3980022](#) [E3990022](#) [E3990040](#) [CABI12 E BK](#)
[1M SET PRM](#) [FLAT8 H/U BK 1M SET PRM](#) [BEGTIN12 J/S BK 1M SET PRM](#) [1-2213678-6](#) [C16791_CLAMP-Z45-A](#) [F17250_SOLDER-](#)
[CLIP-A](#) [2213831-3](#) [CM22-4-20MA](#) [CM22-R10K-MT](#) [CM22-R1K](#) [CM22-R50K](#) [CM22-R5K-MT](#) [10465](#) [M22-A](#) [M22-CK11](#) [M22-CK20](#)
[M22G-XGPV](#) [M22-K01](#) [M22-LCH-W](#) [M22-LC-R](#) [M22-LED230-R](#) [M22-LED230-W](#) [M22-LEDC230-G](#) [M22-LEDC-G](#) [M22-LEDC-W](#)
[M22-LED-G](#) [M22-LED-W](#) [M22-L-G](#) [M22-LH-G](#) [M22-LH-R](#) [M22-LH-W](#) [M22-L-R](#) [M22-L-W](#) [M22-L-X](#) [M22-MS](#) [M22-R10K](#)