

**PLEASE CHECK WWW.MOLEX.COM FOR LATEST PART INFORMATION**

**Part Number:** **0190020046**  
**Status:** **Active**  
**Overview:** Standard Quick-Disconnect Terminals  
**Description:** Avikrimp Quick Disconnect, Female, for 10-12 (5.00-3.30mm<sup>2</sup>) Wire, Metal Strip, Tab 6.35 x 0.81mm

**Documents:**

[3D Model](#) [Product Specification PS-19902-011-001 \(PDF\)](#)  
[3D Model \(PDF\)](#) [Product Specification PS-19902-014-001 \(PDF\)](#)  
[Drawing \(PDF\)](#) [RoHS Certificate of Compliance \(PDF\)](#)

**Agency Certification**

CSA LR18689  
 UL E79133

**General**

Product Family Quick Disconnects  
 Series 19002  
 Crimp Quality Equipment Yes  
 Insulated Fully  
 Overview Standard Quick-Disconnect Terminals  
 Product Name Avikrimp  
 Type Quick Disconnect  
 UPC 800753027800

**Physical**

Barrel Type Closed  
 Color - Resin Yellow  
 Flammability 94V-2  
 Gender Female  
 Glow-Wire Capable No  
 Insulation Nylon (PA)  
 Lock to Mating Part None  
 Material - Metal Brass  
 Material - Plating Mating Tin  
 Material - Plating Termination Tin  
 Net Weight 1.936/g  
 Orientation Straight  
 Packaging Type Reel  
 Polarized to Mating Part No  
 Tab Thickness 0.81mm  
 Tab Width 6.35mm  
 Temperature Range - Operating -65° to +105°C  
 Wire Insulation Diameter 6.22mm max.  
 Wire Size AWG 10, 12

**Electrical**

Voltage - Maximum 300V

**Solder Process Data**

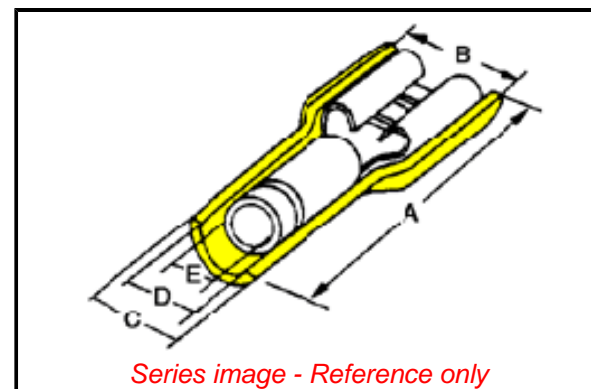
Lead-free Process Capability N/A

**Material Info**

Engineering Number C-5265Z

**Reference - Drawing Numbers**

Product Specification PS-19902-011-001, PS-19902-014-001  
 Sales Drawing SD-19002-005-001



Series image - Reference only

**EU ELV**

**Not Relevant**

**EU RoHS**

**Compliant**

**REACH SVHC**

Not Contained Per -  
 D(2021)4569-DC (8  
 July 2021)

**Halogen-Free**

**Status**

**Low-Halogen**

For more information, please visit [Contact US](#)

China ROHS

ELV

RoHS Phthalates

Green Image

Not Relevant

Not Contained

**Search Parts in this Series**

19002 Series

**Use With**

190010010 , 190010011

**Application Tooling | FAQ**

*Tooling specifications and manuals are found by selecting the products below. Crimp Height Specifications are then contained in the Application Tooling Specification document.*

**Global**

Description	Product #
Crimp Dies for the ASP-202 Air Crimping Press for Metal Strip Terminals	<u>192870109</u>
Mini-Mac Applicator	<u>638812200</u>

This document was generated on 08/30/2021

**PLEASE CHECK [WWW.MOLEX.COM](http://WWW.MOLEX.COM) FOR LATEST PART INFORMATION**

## X-ON Electronics

Largest Supplier of Electrical and Electronic Components

*Click to view similar products for [Terminals](#) category:*

*Click to view products by [Molex](#) manufacturer:*

Other Similar products are found below :

[00-054007-01074-6](#) [00-054007-70206-1](#) [00-054007-70210-8](#) [00-054007-70217-7](#) [00-054007-70226-9](#) [00-054007-70228-3](#) [00-054007-70248-1](#) [00-054007-70256-6](#) [00-054007-70301-3](#) [00-054007-70316-7](#) [0-0320562-0](#) [00-054007-49560-4](#) [00-054007-70209-2](#) [00-054007-70225-2](#) [00-054007-70227-6](#) [00-054007-70231-3](#) [00-054007-70241-2](#) [00-054007-70242-9](#) [00-054007-70244-3](#) [00-054007-70246-7](#) [00-054007-70263-4](#) [00-054007-70288-7](#) [00-054007-70290-0](#) [00-054007-70300-6](#) [00-054007-70304-4](#) [01-2065-1-0216](#) [01-2900-1-04412](#) [00581P0075](#) [600TS-10](#) [60205-1](#) [604200-1](#) [605601-1](#) [60598-1-CUT-TAPE](#) [61314-6-C](#) [61810-3](#) [61-S](#) [62149-1](#) [626-0194](#) [62-NBM-A](#) [62-SN](#) [62-SP](#) [640179-1](#) [M55155/059I03](#) [M55155/079C01](#) [M55155/099H02](#) [M55155/109H01](#) [M55155/109H02](#) [M55155/12XH05](#) [M55155/16XH02](#) [M55155/29-5S](#)