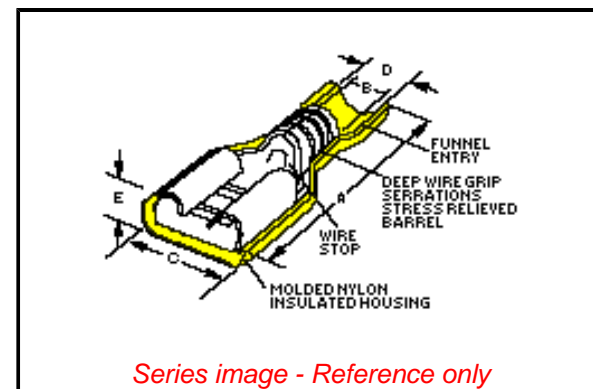


PLEASE CHECK WWW.MOLEX.COM FOR LATEST PART INFORMATION

Part Number: [0190030071](#)
Status: **Active**
Overview: Standard Quick-Disconnect Terminals
Description: InsulKrimp Quick Disconnect, Female, for 24-26 (0.20-0.12mm²), Box, Tab 6.35 x 0.81mm

Documents:

3D Model	Product Specification PS-19902-011-001 (PDF)
3D Model (PDF)	Product Specification PS-19902-013-001 (PDF)
Drawing (PDF)	RoHS Certificate of Compliance (PDF)
Product Specification PS-19902-008-001 (PDF)	



Series image - Reference only

General

Product Family	Quick Disconnects
Series	19003
Comments	Funnel Entry
Crimp Quality Equipment	Yes
Insulated	Fully
Overview	Standard Quick-Disconnect Terminals
Product Name	InsulKrimp
Type	Quick Disconnect
UPC	800753029590

Physical

Barrel Type	Closed
Color - Resin	Yellow
Gender	Female
Glow-Wire Capable	No
Insulation	Nylon (PA)
Lock to Mating Part	None
Material - Metal	Brass
Material - Plating Mating	Tin
Material - Plating Termination	Tin
Material - Resin	Nylon
Net Weight	0.946/g
Orientation	Straight
Packaging Type	Bag
Plating min - Mating	4.064µm
Plating min - Termination	4.064µm
Polarized to Mating Part	No
Tab Thickness	0.81mm
Tab Width	6.35mm
Temperature Range - Operating	-65° to +105°C
Termination Interface: Style	Crimp or Compression
Wire Insulation Diameter	1.90mm max.
Wire Size AWG	24, 26

Electrical

Voltage - Maximum	600V
-------------------	------

Solder Process Data

Lead-freeProcess Capability	N/A
-----------------------------	-----

Material Info

Engineering Number	M-2212
--------------------	--------

Reference - Drawing Numbers

EU ELV

Not Relevant

EU RoHS

Compliant

REACH SVHC

Not Contained Per -
ECHA_01_2020 (16
January 2020

Halogen-Free

Status

Low-Halogen

For more information, please visit [Contact US](#)

China ROHS

Green Image

ELV

Not Relevant

RoHS Phthalates

Not Contained

Search Parts in this Series

19003 Series

Application Tooling | FAQ

Tooling specifications and manuals are found by selecting the products below. Crimp Height Specifications are then contained in the Application Tooling Specification document.

Global

Description	Product #
Hand Crimp Tool	640015200
Crimp Head for the AT-200 Pneumatic Hand Tool	640055200

Product Specification

Sales Drawing

PS-19902-008-001, PS-19902-011-001,
PS-19902-013-001
SD-19003-005-001

This document was generated on 04/01/2020

PLEASE CHECK WWW.MOLEX.COM FOR LATEST PART INFORMATION

X-ON Electronics

Largest Supplier of Electrical and Electronic Components

Click to view similar products for [molex](#) manufacturer:

Other Similar products are found below :

[60506-C-50](#) [73108](#) [72903](#) [1062837003](#) [0533241060](#) [68301-1017](#) [71506-C](#) [880504](#) [387790039](#) [53254-0710](#) [85071-0017](#) [387204903](#)
[783472003](#) [514412093](#) [0194180027](#) [0192210405](#) [0191640082](#) [0982660127](#) [0152670317](#) [0192210414](#) [0982670277](#) [0026482195](#)
[0191310031](#) [503308-4410](#) [0190070015](#) [02-09-6102](#) [0008650814](#) [791099208](#) [0039000218](#) [89762-1403](#) [89762-1542](#) [89762-1582](#)
[0011404526](#) [00136](#) [0022173102](#) [0026615060](#) [CR4006A30M003](#) [0039532085](#) [58098-0628](#) [0003092041](#) [0008520123](#) [0011030025](#)
[0011184017](#) [0022162060](#) [0022552102](#) [01312](#) [M15730061](#) [61432](#) [6150300002](#) [CS63W64](#)