

PLEASE CHECK WWW.MOLEX.COM FOR LATEST PART INFORMATION

Part Number: **0190170023**
Status: **Active**
Overview: Standard Quick-Disconnect Terminals
Description: InsulKrimp Quick Disconnect, Female, for 14-16 (2.00-1.30mm²) Wire, Box, Tab 2.79 x 0.51mm

Documents:

| | |
|--|--|
| 3D Model | Product Specification PS-19902-011-001 (PDF) |
| Drawing (PDF) | Product Specification PS-19902-013-001 (PDF) |
| 3D Model (PDF) | RoHS Certificate of Compliance (PDF) |
| Product Specification PS-19902-008-001 (PDF) | |

Agency Certification

| | |
|-----|---------|
| CSA | LR18689 |
| UL | E79133 |

General

| | |
|-------------------------|--|
| Product Family | Quick Disconnects |
| Series | <u>19017</u> |
| Crimp Quality Equipment | Yes |
| Insulated | Partial |
| Overview | <u>Standard Quick-Disconnect Terminals</u> |
| Product Name | InsulKrimp |
| Type | Quick Disconnect |
| UPC | 800753036048 |

Physical

| | |
|--------------------------------|----------------------|
| Barrel Type | Closed |
| Color - Resin | Blue |
| Flammability | 94V-0 |
| Gender | Female |
| Glow-Wire Capable | No |
| Insulation | PVC |
| Lock to Mating Part | None |
| Material - Metal | Brass |
| Material - Plating Mating | Tin |
| Material - Plating Termination | Tin |
| Net Weight | 0.431/g |
| Orientation | Straight |
| Packaging Type | Bag |
| Plating min - Mating | 2.540µm |
| Plating min - Termination | 2.540µm |
| Polarized to Mating Part | No |
| Tab Thickness | 0.51mm |
| Tab Width | 2.79mm |
| Temperature Range - Operating | -50° to +105°C |
| Termination Interface: Style | Crimp or Compression |
| Wire Insulation Diameter | 3.70mm max. |
| Wire Size AWG | 14, 16 |
| Wire Size mm ² | 1.30-2.00 |

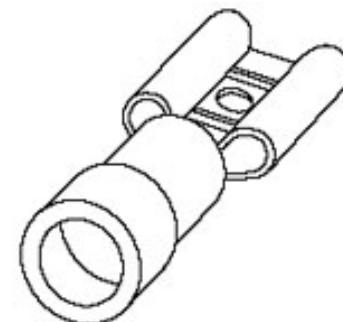
Electrical

| | |
|-------------------|------|
| Voltage - Maximum | 600V |
|-------------------|------|

Solder Process Data

| | |
|------------------------------|-----|
| Lead-free Process Capability | N/A |
|------------------------------|-----|

Material Info



Series image - Reference only

EU ELV

Not Relevant

EU RoHS

Compliant

REACH SVHC

Not Contained Per -
D(2021)4569-DC (8
July 2021)

Halogen-Free

Status

Not Low-Halogen

For more information, please visit [Contact US](#)

China ROHS

ELV

RoHS Phthalates

Green Image

Not Relevant

Not Contained

Search Parts in this Series

19017 Series

Application Tooling | FAQ

Tooling specifications and manuals are found by selecting the products below. Crimp Height Specifications are then contained in the Application Tooling Specification document.

Global

| Description | Product # |
|---|------------------|
| PremiumGrade Hand Crimp Tool for InsulKrimp Quick Disconnect Terminals, 10-22 AWG | <u>640010200</u> |
| Crimp Head for the AT-200 Pneumatic Hand Tool | <u>640050200</u> |
| ServiceGrade Hand Crimp Tool - Ratchet | <u>640160037</u> |

Engineering Number

BB-2132

Reference - Drawing Numbers

Product Specification

PS-19902-008-001, PS-19902-011-001,

PS-19902-013-001

Sales Drawing

SD-19017-003-001

This document was generated on 01/03/2022

PLEASE CHECK WWW.MOLEX.COM FOR LATEST PART INFORMATION

X-ON Electronics

Largest Supplier of Electrical and Electronic Components

Click to view similar products for [Terminals](#) category:

Click to view products by [Molex](#) manufacturer:

Other Similar products are found below :

[00-054007-01074-6](#) [00-054007-70206-1](#) [00-054007-70210-8](#) [00-054007-70217-7](#) [00-054007-70226-9](#) [00-054007-70228-3](#) [00-054007-70248-1](#) [00-054007-70256-6](#) [00-054007-70301-3](#) [00-054007-70316-7](#) [0-0320562-0](#) [00-054007-49560-4](#) [00-054007-70209-2](#) [00-054007-70225-2](#) [00-054007-70227-6](#) [00-054007-70231-3](#) [00-054007-70241-2](#) [00-054007-70242-9](#) [00-054007-70244-3](#) [00-054007-70246-7](#) [00-054007-70263-4](#) [00-054007-70288-7](#) [00-054007-70290-0](#) [00-054007-70300-6](#) [00-054007-70304-4](#) [01-2065-1-0216](#) [01-2900-1-04412](#) [00581P0075](#) [600TS-10](#) [60205-1](#) [604200-1](#) [605601-1](#) [60598-1-CUT-TAPE](#) [61314-6-C](#) [61810-3](#) [61-S](#) [62149-1](#) [626-0194](#) [62-NBM-A](#) [62-SN](#) [62-SP](#) [640179-1](#) [M55155/059I03](#) [M55155/079C01](#) [M55155/099H02](#) [M55155/109H01](#) [M55155/109H02](#) [M55155/12XH05](#) [M55155/16XH02](#) [M55155/29-5S](#)