

PLEASE CHECK WWW.MOLEX.COM FOR LATEST PART INFORMATION

Part Number: **0190170046**
Status: **Active**
Overview: Standard Quick-Disconnect Terminals
Description: InsulKrimp Quick Disconnect, Female, for 14-16 (2.00-1.30mm²) Wire, Mylar Tape, Tab 5.21 x 0.51mm

Documents:

3D Model	Product Specification PS-19902-011-001 (PDF)
Drawing (PDF)	Product Specification PS-19902-015-001 (PDF)
3D Model (PDF)	RoHS Certificate of Compliance (PDF)

General

Product Family	Quick Disconnects
Series	<u>19017</u>
Crimp Quality Equipment	Yes
Insulated	Partial
Overview	<u>Standard Quick-Disconnect Terminals</u>
Product Name	InsulKrimp
Type	Quick Disconnect
UPC	800753036321

Physical

Barrel Type	Closed
Color - Resin	Blue
Gender	Female
Glow-Wire Capable	No
Insulation	PVC
Lock to Mating Part	None
Material - Metal	Brass
Material - Plating Mating	Tin
Material - Plating Termination	Tin
Net Weight	0.625/g
Orientation	Straight
Packaging Type	Adhesive Tape on Reel
Polarized to Mating Part	No
Tab Thickness	0.51mm
Tab Width	5.21mm
Temperature Range - Operating	-50° to +105°C
Wire Insulation Diameter	3.70mm max.
Wire Size AWG	14, 16
Wire Size mm ²	1.30-2.00

Electrical

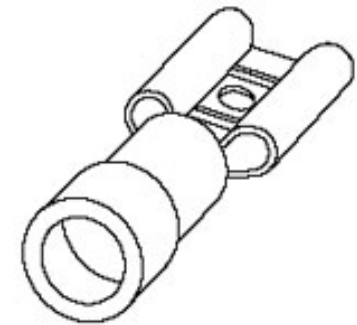
Voltage - Maximum	600V
-------------------	------

Material Info

Engineering Number	BB-2191T
--------------------	----------

Reference - Drawing Numbers

Product Specification	PS-19902-011-001, PS-19902-015-001
Sales Drawing	SD-19017-003



Series image - Reference only

EU ELV

Not Relevant

EU RoHS

Not Reviewed

REACH SVHC

Not Contained Per
-ED/01/2018 (15
January 2018)

Halogen-Free

Status

Not Low-Halogen

For more information, please visit [Contact US](#)

China ROHS

ELV

RoHS Phthalates

China RoHS

Green Image

Not Relevant

Not Contained

Search Parts in this Series

19017 Series

Application Tooling | FAQ

Tooling specifications and manuals are found by selecting the products below. Crimp Height Specifications are then contained in the Application Tooling Specification document.

Global

Description

Product #

ATP Crimp Dies for the Tape Crimp Module and ATP-101 & 301 Press	<u>192880104</u>
---	------------------

X-ON Electronics

Largest Supplier of Electrical and Electronic Components

Click to view similar products for [Terminals](#) category:

Click to view products by [Molex](#) manufacturer:

Other Similar products are found below :

[00-054007-01074-6](#) [00-054007-70206-1](#) [00-054007-70210-8](#) [00-054007-70217-7](#) [00-054007-70226-9](#) [00-054007-70228-3](#) [00-054007-70248-1](#) [00-054007-70256-6](#) [00-054007-70301-3](#) [00-054007-70316-7](#) [0-0320562-0](#) [00-054007-49560-4](#) [00-054007-70209-2](#) [00-054007-70225-2](#) [00-054007-70227-6](#) [00-054007-70231-3](#) [00-054007-70241-2](#) [00-054007-70242-9](#) [00-054007-70244-3](#) [00-054007-70246-7](#) [00-054007-70263-4](#) [00-054007-70288-7](#) [00-054007-70290-0](#) [00-054007-70300-6](#) [00-054007-70304-4](#) [01-2065-1-0216](#) [01-2900-1-04412](#) [00581P0075](#) [600TS-10](#) [60205-1](#) [604200-1](#) [605601-1](#) [60598-1-CUT-TAPE](#) [61314-6-C](#) [61810-3](#) [61-S](#) [62149-1](#) [626-0194](#) [62-NBM-A](#) [62-SN](#) [62-SP](#) [640179-1](#) [M55155/059I03](#) [M55155/079C01](#) [M55155/099H02](#) [M55155/109H01](#) [M55155/109H02](#) [M55155/12XH05](#) [M55155/16XH02](#) [M55155/29-5S](#)