

PLEASE CHECK WWW.MOLEX.COM FOR LATEST PART INFORMATION

Part Number: **0190170073**
Status: **Active**
Overview: Standard Quick-Disconnect Terminals
Description: InsulKrimp Quick Disconnect, Female, for 14-16 (2.00-1.30mm²) Wire, Metal Strip, Tab 4.75 x 0.81mm

Documents:

3D Model	Product Specification PS-19902-008-001 (PDF)
3D Model (PDF)	Product Specification PS-19902-011-001 (PDF)
Drawing (PDF)	RoHS Certificate of Compliance (PDF)

Agency Certification

CSA	LR18689
UL	E79133

General

Product Family	Quick Disconnects
Series	<u>19017</u>
Crimp Quality Equipment	Yes
Insulated	Partial
Overview	<u>Standard Quick-Disconnect Terminals</u>
Product Name	InsulKrimp
Type	Quick Disconnect
UPC	800755962482

Physical

Barrel Type	Closed
Color - Resin	Blue
Flammability	94V-0
Gender	Female
Glow-Wire Capable	No
Insulation	PVC
Lock to Mating Part	None
Material - Metal	Brass
Material - Plating Mating	Tin
Material - Plating Termination	Tin
Net Weight	0.616/g
Orientation	Straight
Packaging Type	Reel
Polarized to Mating Part	No
Tab Thickness	0.81mm
Tab Width	4.75mm
Temperature Range - Operating	-50° to +105°C
Wire Insulation Diameter	3.70mm max.
Wire Size AWG	14, 16
Wire Size mm ²	1.30-2.00

Electrical

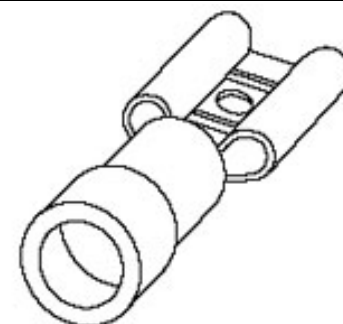
Voltage - Maximum	600V
-------------------	------

Material Info

Engineering Number	BBZ-2138-032
--------------------	--------------

Reference - Drawing Numbers

Product Specification	PS-19902-008-001, PS-19902-011-001
Sales Drawing	SD-19017-003-001



Series image - Reference only

EU ELV

Not Relevant

EU RoHS

Not Reviewed

REACH SVHC

Not Reviewed

Halogen-Free

Status

Not Reviewed

For more information, please visit [Contact US](#)

China ROHS

Not Reviewed

ELV

Not Relevant

RoHS Phthalates

Not Reviewed

Search Parts in this Series

[19017 Series](#)

Application Tooling | [FAQ](#)

Tooling specifications and manuals are found by selecting the products below. Crimp Height Specifications are then contained in the Application Tooling Specification document.

Global

Description

Product #

Mini-Mac Applicator [638814600](#)

Mechanical Feed-

Metal Strip

This document was generated on 10/22/2021

PLEASE CHECK WWW.MOLEX.COM FOR LATEST PART INFORMATION

X-ON Electronics

Largest Supplier of Electrical and Electronic Components

Click to view similar products for [Terminals](#) category:

Click to view products by [Molex](#) manufacturer:

Other Similar products are found below :

[00-054007-01074-6](#) [00-054007-70206-1](#) [00-054007-70210-8](#) [00-054007-70217-7](#) [00-054007-70226-9](#) [00-054007-70228-3](#) [00-054007-70248-1](#) [00-054007-70256-6](#) [00-054007-70301-3](#) [00-054007-70316-7](#) [0-0320562-0](#) [00-054007-49560-4](#) [00-054007-70209-2](#) [00-054007-70225-2](#) [00-054007-70227-6](#) [00-054007-70231-3](#) [00-054007-70241-2](#) [00-054007-70242-9](#) [00-054007-70244-3](#) [00-054007-70246-7](#) [00-054007-70263-4](#) [00-054007-70288-7](#) [00-054007-70290-0](#) [00-054007-70300-6](#) [00-054007-70304-4](#) [01-2065-1-0216](#) [01-2900-1-04412](#) [00581P0075](#) [600TS-10](#) [60205-1](#) [604200-1](#) [605601-1](#) [60598-1-CUT-TAPE](#) [61314-6-C](#) [61810-3](#) [61-S](#) [61-SN](#) [626-0194](#) [62-NBM-A](#) [62-SN](#) [62-SP](#) [640179-1](#) [M55155/059I03](#) [M55155/079C01](#) [M55155/099H02](#) [M55155/109H01](#) [M55155/109H02](#) [M55155/12XH05](#) [M55155/16XH02](#) [M55155/29-5S](#)