

**PLEASE CHECK WWW.MOLEX.COM FOR LATEST PART INFORMATION**

**Part Number:** **0190190006**  
**Status:** **Active**  
**Overview:** Standard Quick-Disconnect Terminals  
**Description:** Avikrimp Quick Disconnect, Female, for 18-22 (0.80-0.35mm<sup>2</sup>) Wire, Box, Tab 4.75 x 0.51mm

**Documents:**

[3D Model](#) [Product Specification PS-19902-013-001 \(PDF\)](#)  
[3D Model \(PDF\)](#) [Product Specification PS-19902-014-001 \(PDF\)](#)  
[Drawing \(PDF\)](#) [RoHS Certificate of Compliance \(PDF\)](#)  
[Product Specification PS-19902-011-001 \(PDF\)](#)

**Agency Certification**

CSA LR18689  
 UL E79133

**General**

Product Family Quick Disconnects  
 Series [19019](#)  
 Crimp Quality Equipment Yes  
 Insulated Partial  
 Overview [Standard Quick-Disconnect Terminals](#)  
 Product Name Avikrimp  
 Type Quick Disconnect  
 UPC 800753037823

**Physical**

Barrel Type Closed  
 Color - Resin Red  
 Flammability 94V-2  
 Gender Female  
 Glow-Wire Capable No  
 Insulation Nylon (PA)  
 Lock to Mating Part None  
 Material - Metal Brass  
 Material - Plating Mating Tin  
 Material - Plating Termination Tin  
 Net Weight 0.729/g  
 Orientation Straight  
 Packaging Type Bag  
 Polarized to Mating Part No  
 Tab Thickness 0.51mm  
 Tab Width 4.75mm  
 Temperature Range - Operating -65° to +105°C  
 Wire Insulation Diameter 2.90mm max.  
 Wire Size AWG 18, 20, 22

**Electrical**

Voltage - Maximum 300V

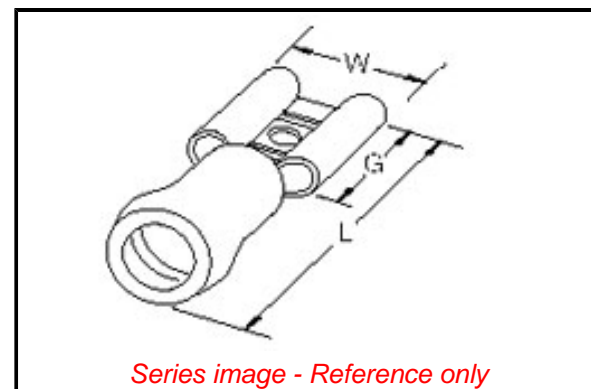
**Solder Process Data**

Lead-free Process Capability N/A

**Material Info**

Engineering Number AA-8137

**Reference - Drawing Numbers**



**EU ELV**

**Not Relevant**

**EU RoHS**

**Compliant**

**REACH SVHC**

Not Contained Per -  
 D(2021)4569-DC (8  
 July 2021)

**Halogen-Free**

**Status**

**Low-Halogen**

For more information, please visit [Contact US](#)

China ROHS

ELV

RoHS Phthalates

**China RoHS**

Green Image

Not Relevant

Not Contained

**Search Parts in this Series**

[19019 Series](#)

**Application Tooling | FAQ**

*Tooling specifications and manuals are found by selecting the products below. Crimp Height Specifications are then contained in the Application Tooling Specification document.*

**Global**

Description	Product #
PremiumGrade Hand Crimp Tool for Insulkrimp Quick Disconnect Terminals, 10-22 AWG	<a href="#">640010200</a>
Crimp Head for the AT-200 Pneumatic Hand Tool	<a href="#">640050200</a>
ServiceGrade Hand Crimp Tool - Ratchet	<a href="#">640160037</a>

Product Specification

Sales Drawing

PS-19902-011-001, PS-19902-013-001,  
PS-19902-014-001  
SD-19019-001-001

This document was generated on 09/14/2021

**PLEASE CHECK [WWW.MOLEX.COM](http://WWW.MOLEX.COM) FOR LATEST PART INFORMATION**

## X-ON Electronics

Largest Supplier of Electrical and Electronic Components

*Click to view similar products for [Terminals](#) category:*

*Click to view products by [Molex](#) manufacturer:*

Other Similar products are found below :

[0-0031894-0](#) [0-0035108-0](#) [0-0036150-0](#) [00051128587317](#) [00051128588178](#) [00051128588642](#) [00-054007-01074-6](#) [00-054007-49560-4](#) [00-054007-70206-1](#) [00-054007-70209-2](#) [00-054007-70210-8](#) [00-054007-70217-7](#) [00-054007-70225-2](#) [00-054007-70226-9](#) [00-054007-70227-6](#) [00-054007-70228-3](#) [00-054007-70231-3](#) [00-054007-70241-2](#) [00-054007-70242-9](#) [00-054007-70244-3](#) [00-054007-70246-7](#) [00-054007-70248-1](#) [00-054007-70256-6](#) [00-054007-70263-4](#) [00-054007-70288-7](#) [00-054007-70290-0](#) [00-054007-70300-6](#) [00-054007-70301-3](#) [00-054007-70304-4](#) [00-054007-70316-7](#) [0-0130008-0](#) [0-0130171-0](#) [0-0130532-0](#) [0-0131330-0](#) [0-0160298-0](#) [0-0165034-0](#) [0-0165536-1](#) [0-0320562-0](#) [0-0321045-0](#) [00581P0075](#) [010996B](#) [01-1103-1-0212](#) [01-1103-1-0219](#) [01-2010-1-0212](#) [01-2065-1-0216](#) [0124300000](#) [0124400000](#) [0124700000](#) [0124800000](#) [01-2900-1-04410](#)