

**PLEASE CHECK WWW.MOLEX.COM FOR LATEST PART INFORMATION**

**Part Number:** **0190190020**  
**Status:** **Active**  
**Overview:** Standard Quick-Disconnect Terminals  
**Description:** Avikrimp Quick Disconnect, Female, for 18-22 (0.80-0.35mm<sup>2</sup>) Wire, Metal Strip, Tab 6.35 x 0.81mm

**Documents:**

<a href="#">3D Model</a>	<a href="#">Product Specification PS-19902-011-001 (PDF)</a>
<a href="#">3D Model (PDF)</a>	<a href="#">Product Specification PS-19902-014-001 (PDF)</a>
<a href="#">Drawing (PDF)</a>	<a href="#">RoHS Certificate of Compliance (PDF)</a>

**Agency Certification**

CSA	LR18689
UL	E79133

**General**

Product Family	Quick Disconnects
Series	<u>19019</u>
Crimp Quality Equipment	Yes
Insulated	Partial
Overview	<u>Standard Quick-Disconnect Terminals</u>
Product Name	Avikrimp
Type	Quick Disconnect
UPC	800753038066

**Physical**

Barrel Type	Closed
Color - Resin	Red
Flammability	94V-2
Gender	Female
Glow-Wire Capable	No
Insulation	Nylon (PA)
Lock to Mating Part	None
Material - Metal	Brass
Material - Plating Mating	Tin
Material - Plating Termination	Tin
Net Weight	0.875/g
Orientation	Straight
Packaging Type	Reel
Polarized to Mating Part	No
Tab Thickness	0.81mm
Tab Width	6.35mm
Temperature Range - Operating	-65° to +105°C
Wire Insulation Diameter	2.90mm max.
Wire Size AWG	18, 20, 22

**Electrical**

Voltage - Maximum	300V
-------------------	------

**Solder Process Data**

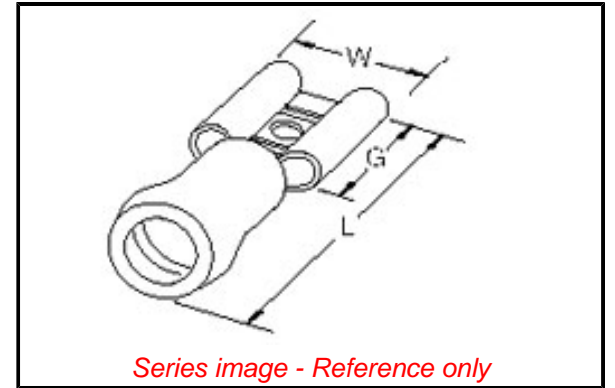
Lead-free Process Capability	N/A
------------------------------	-----

**Material Info**

Engineering Number	AAZ-8140
--------------------	----------

**Reference - Drawing Numbers**

Product Specification	PS-19902-011-001, PS-19902-014-001
Sales Drawing	SD-19019-001-001



**EU ELV**

**Not Relevant**

**EU RoHS**

**Compliant**

**REACH SVHC**

Not Contained Per -  
D(2021)4569-DC (8  
July 2021)

**Halogen-Free**

**Status**

**Low-Halogen**

For more information, please visit [Contact US](#)

China ROHS

ELV

RoHS Phthalates

**China RoHS**

Green Image

Not Relevant

Not Contained

**Search Parts in this Series**

[19019 Series](#)

**Application Tooling | FAQ**

*Tooling specifications and manuals are found by selecting the products below. Crimp Height Specifications are then contained in the Application Tooling Specification document.*

**Global**

**Description**

**Product #**

Mini-Mac Applicator	<a href="#">638810800</a>
---------------------	---------------------------

This document was generated on 09/13/2021

**PLEASE CHECK [WWW.MOLEX.COM](http://WWW.MOLEX.COM) FOR LATEST PART INFORMATION**

## X-ON Electronics

Largest Supplier of Electrical and Electronic Components

*Click to view similar products for [Terminals](#) category:*

*Click to view products by [Molex](#) manufacturer:*

Other Similar products are found below :

[00-054007-01074-6](#) [00-054007-70206-1](#) [00-054007-70210-8](#) [00-054007-70217-7](#) [00-054007-70226-9](#) [00-054007-70228-3](#) [00-054007-70248-1](#) [00-054007-70256-6](#) [00-054007-70301-3](#) [00-054007-70316-7](#) [0-0320562-0](#) [00-054007-49560-4](#) [00-054007-70209-2](#) [00-054007-70225-2](#) [00-054007-70227-6](#) [00-054007-70231-3](#) [00-054007-70241-2](#) [00-054007-70242-9](#) [00-054007-70244-3](#) [00-054007-70246-7](#) [00-054007-70263-4](#) [00-054007-70288-7](#) [00-054007-70290-0](#) [00-054007-70300-6](#) [00-054007-70304-4](#) [01-2065-1-0216](#) [01-2900-1-04412](#) [00581P0075](#) [600TS-10](#) [60205-1](#) [604200-1](#) [605601-1](#) [60598-1-CUT-TAPE](#) [61314-6-C](#) [61810-3](#) [61-S](#) [62149-1](#) [626-0194](#) [62-NBM-A](#) [62-SN](#) [62-SP](#) [640179-1](#) [M55155/059I03](#) [M55155/079C01](#) [M55155/099H02](#) [M55155/109H01](#) [M55155/109H02](#) [M55155/12XH05](#) [M55155/16XH02](#) [M55155/29-5S](#)