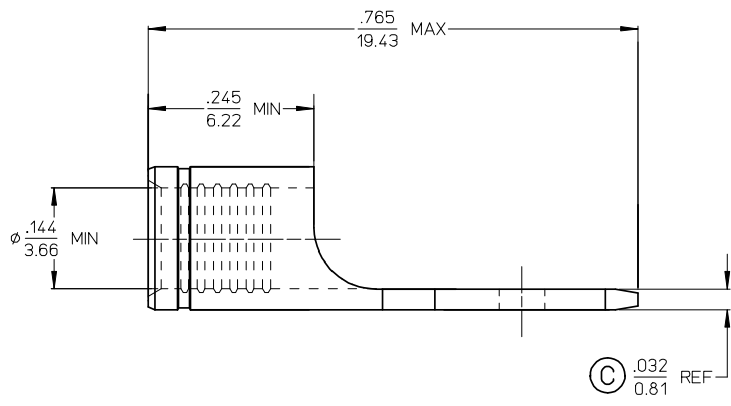
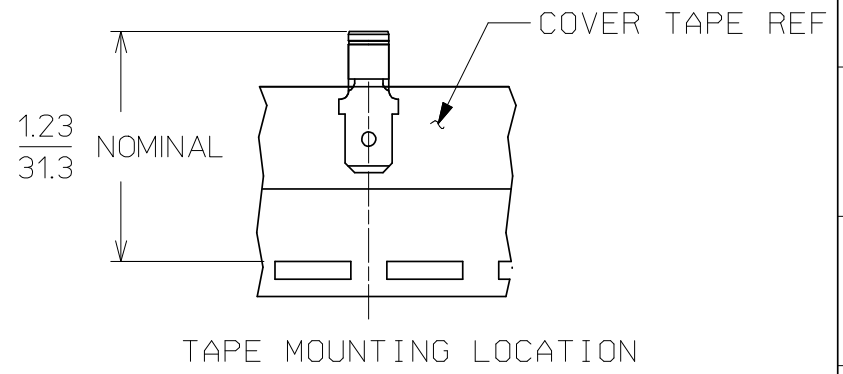
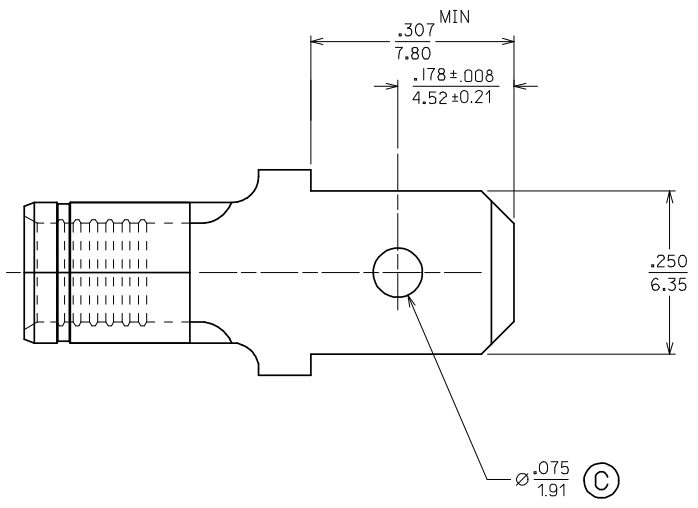


13	12	11	10	9	8	7	6	5	4	3	2	1
MATERIAL NUMBER		ENGINEERING NUMBER	DESCRIPTION									
190220015		CMCT-1	ZINC CHROMATE PLATED									
190220017		CMCT-1T	ZINC CHROMATE PLATED, TAPE MOUNTED									

Ⓒ
Ⓒ



SALES DRAWING

- Ⓒ NOTES:
1. MATERIAL: BRASS
 2. FINISH: SEE CHART
 3. WIRE SIZE: 12-10 AWG (3.09 - 5.01 mm²)
 4. TAB DIMENSIONS CONFORM TO UL310 SPECIFICATIONS.
 5. PART IS ROHS COMPLIANT.

CHANGED MATL & FINISH EC NO: ETC2007-0081 DRAWN:EHILE 2008/01/28 CHKD:JMACNEIL 2008/01/28 APPR:JMACNEIL 2008/02/13	QUALITY SYMBOLS	GENERAL TOLERANCES (UNLESS SPECIFIED)	DIMENSION STYLE	SCALE	DESIGN UNITS	THIRD ANGLE PROJECTION																	
	▼=0 ▽=0	<table border="1"> <tr> <th></th> <th>mm</th> <th>INCH</th> </tr> <tr> <td>4 PLACES</td> <td>±---</td> <td>±---</td> </tr> <tr> <td>3 PLACES</td> <td>±---</td> <td>±.005</td> </tr> <tr> <td>2 PLACES</td> <td>±0.13</td> <td>±.01</td> </tr> <tr> <td>1 PLACE</td> <td>±0.25</td> <td>±---</td> </tr> </table>		mm	INCH	4 PLACES	±---	±---	3 PLACES	±---	±.005	2 PLACES	±0.13	±.01	1 PLACE	±0.25	±---	IN/MM	4:1	INCH	<input checked="" type="checkbox"/> THIRD ANGLE PROJECTION		
		mm	INCH																				
	4 PLACES	±---	±---																				
3 PLACES	±---	±.005																					
2 PLACES	±0.13	±.01																					
1 PLACE	±0.25	±---																					
DRAFT WHERE APPLICABLE MUST REMAIN WITHIN DIMENSIONS	<table border="1"> <tr> <th>DESCRIPTION</th> <th>DATE</th> </tr> <tr> <td>DRAWN BY</td> <td>2008/01/28</td> </tr> <tr> <td>CHECKED BY</td> <td>2008/01/28</td> </tr> <tr> <td>APPROVED BY</td> <td>2008/02/13</td> </tr> </table>	DESCRIPTION	DATE	DRAWN BY	2008/01/28	CHECKED BY	2008/01/28	APPROVED BY	2008/02/13	<table border="1"> <tr> <td>MATERIAL NO.</td> <td>DATE</td> </tr> <tr> <td>SEE CHART</td> <td>1985/02/20</td> </tr> <tr> <td>APPROVED BY</td> <td>DATE</td> </tr> <tr> <td>GZ</td> <td>1985/02/20</td> </tr> </table>	MATERIAL NO.	DATE	SEE CHART	1985/02/20	APPROVED BY	DATE	GZ	1985/02/20	<table border="1"> <tr> <td>TITLE</td> <td>MOLEX INCORPORATED</td> </tr> <tr> <td>MALE CONNECTOR TERMINAL .250 X .032 TAB KRIMPTITE, 12-10 AWG</td> <td></td> </tr> </table>	TITLE	MOLEX INCORPORATED	MALE CONNECTOR TERMINAL .250 X .032 TAB KRIMPTITE, 12-10 AWG	
DESCRIPTION	DATE																						
DRAWN BY	2008/01/28																						
CHECKED BY	2008/01/28																						
APPROVED BY	2008/02/13																						
MATERIAL NO.	DATE																						
SEE CHART	1985/02/20																						
APPROVED BY	DATE																						
GZ	1985/02/20																						
TITLE	MOLEX INCORPORATED																						
MALE CONNECTOR TERMINAL .250 X .032 TAB KRIMPTITE, 12-10 AWG																							
A	REV	<table border="1"> <tr> <td>MATERIAL NO.</td> <td>DOCUMENT NO.</td> <td>SHEET NO.</td> </tr> <tr> <td>SEE CHART</td> <td>SD-19022-012</td> <td>1 OF 1</td> </tr> </table>	MATERIAL NO.	DOCUMENT NO.	SHEET NO.	SEE CHART	SD-19022-012	1 OF 1	THIS DRAWING CONTAINS INFORMATION THAT IS PROPRIETARY TO MOLEX INCORPORATED AND SHOULD NOT BE USED WITHOUT WRITTEN PERMISSION														
MATERIAL NO.	DOCUMENT NO.	SHEET NO.																					
SEE CHART	SD-19022-012	1 OF 1																					

X-ON Electronics

Largest Supplier of Electrical and Electronic Components

Click to view similar products for [Terminals](#) category:

Click to view products by [Molex](#) manufacturer:

Other Similar products are found below :

[00-054007-01074-6](#) [00-054007-70206-1](#) [00-054007-70210-8](#) [00-054007-70217-7](#) [00-054007-70226-9](#) [00-054007-70228-3](#) [00-054007-70248-1](#) [00-054007-70256-6](#) [00-054007-70301-3](#) [00-054007-70316-7](#) [0-0320562-0](#) [00-054007-49560-4](#) [00-054007-70209-2](#) [00-054007-70225-2](#) [00-054007-70227-6](#) [00-054007-70231-3](#) [00-054007-70241-2](#) [00-054007-70242-9](#) [00-054007-70244-3](#) [00-054007-70246-7](#) [00-054007-70263-4](#) [00-054007-70288-7](#) [00-054007-70290-0](#) [00-054007-70300-6](#) [00-054007-70304-4](#) [01-2065-1-0216](#) [01-2900-1-04412](#) [00581P0075](#) [600TS-10](#) [60205-1](#) [604200-1](#) [605601-1](#) [60598-1-CUT-TAPE](#) [61314-6-C](#) [61810-3](#) [61-S](#) [61-SN](#) [626-0194](#) [62-NBM-A](#) [62-SN](#) [62-SP](#) [640179-1](#) [M55155/059I03](#) [M55155/079C01](#) [M55155/099H02](#) [M55155/109H01](#) [M55155/109H02](#) [M55155/12XH05](#) [M55155/16XH02](#) [M55155/29-5S](#)