

6 5 4 3 2 1

D

C

B

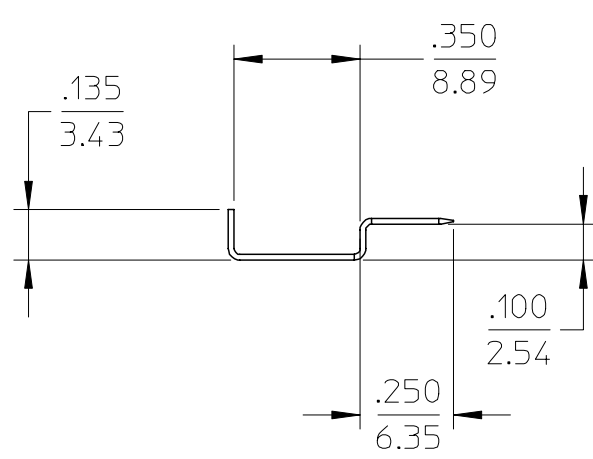
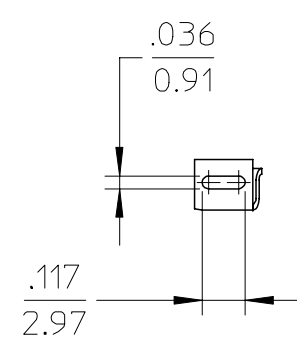
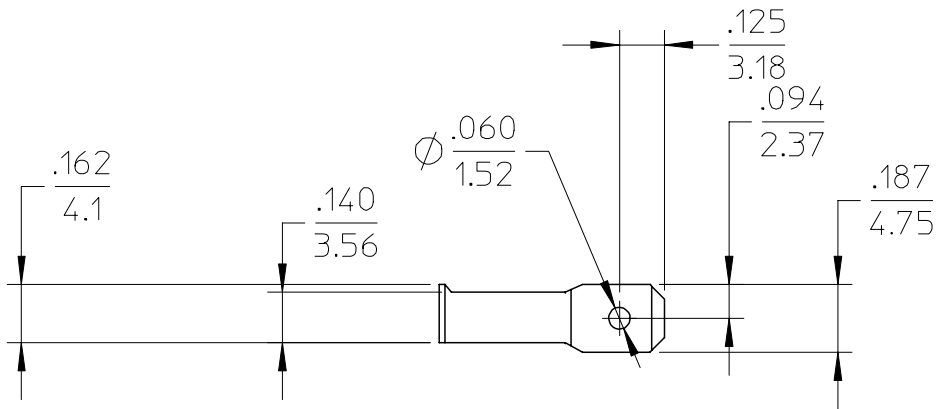
A

D

C

B

A



# SALES DRAWING

MATERIAL:  
CDA 26000 BRASS  
THICKNESS: .016

RELEASE FOR PROD EC NO: ETC2006-0039 DRWN: JLOMASTRO 2005/09/13 CHKD: RDEROSS 2005/09/13 APPR: JPAMLICK 2005/09/14 A	DESCRIPTION REV	QUALITY SYMBOLS	GENERAL TOLERANCES (UNLESS SPECIFIED)		DIMENSION STYLE IN/MM		SCALE 2:1	DESIGN UNITS INCH	THIRD ANGLE PROJECTION
		▼=0 ▽=0	mm	INCH	DRAWN BY JLOMASTRO	DATE 05/09/08	TITLE	BLADE MINI FUSE CONNECTOR	
		4 PLACES ± --- ± ---	3 PLACES ± --- ± .005	CHECKED BY RDEROSS	DATE 05/09/08				
		2 PLACES ± 0.13 ± .01	1 PLACE ± 0.25 ± ---	APPROVED BY RDEROSS	DATE 05/09/08	MATERIAL NO. 190430007	DOCUMENT NO. SD-19043-004	SHEET NO. 1 OF 1	
		ANGULAR ± 1/2°		DRAFT WHERE APPLICABLE MUST REMAIN WITHIN DIMENSIONS					
		SIZE A		THIS DRAWING CONTAINS INFORMATION THAT IS PROPRIETARY TO MOLEX INCORPORATED AND SHOULD NOT BE USED WITHOUT WRITTEN PERMISSION					

5 4 3 2 1

## X-ON Electronics

Largest Supplier of Electrical and Electronic Components

*Click to view similar products for [Terminals](#) category:*

*Click to view products by [Molex](#) manufacturer:*

Other Similar products are found below :

[0-0031894-0](#) [0-0035108-0](#) [0-0036150-0](#) [00051128587317](#) [00051128588178](#) [00051128588642](#) [00-054007-01074-6](#) [00-054007-49560-4](#) [00-054007-70206-1](#) [00-054007-70209-2](#) [00-054007-70210-8](#) [00-054007-70217-7](#) [00-054007-70225-2](#) [00-054007-70226-9](#) [00-054007-70227-6](#) [00-054007-70228-3](#) [00-054007-70231-3](#) [00-054007-70241-2](#) [00-054007-70242-9](#) [00-054007-70244-3](#) [00-054007-70246-7](#) [00-054007-70248-1](#) [00-054007-70256-6](#) [00-054007-70263-4](#) [00-054007-70288-7](#) [00-054007-70290-0](#) [00-054007-70300-6](#) [00-054007-70301-3](#) [00-054007-70304-4](#) [00-054007-70316-7](#) [0-0130008-0](#) [0-0130171-0](#) [0-0130532-0](#) [0-0131330-0](#) [0-0160298-0](#) [0-0165034-0](#) [0-0165536-1](#) [0-0320562-0](#) [0-0321045-0](#) [00581P0075](#) [010996B](#) [01-1103-1-0212](#) [01-1103-1-0219](#) [01-2010-1-0212](#) [01-2065-1-0216](#) [0124300000](#) [0124400000](#) [0124700000](#) [0124800000](#) [01-2900-1-04410](#)