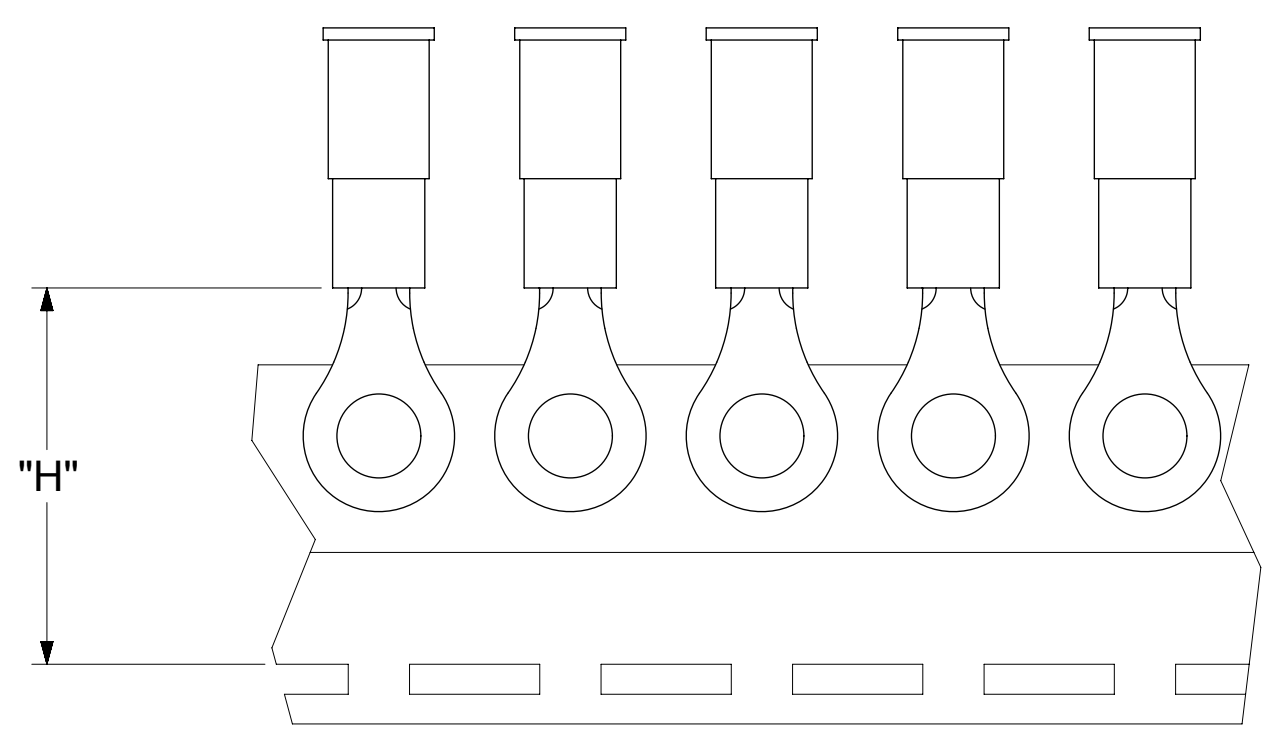
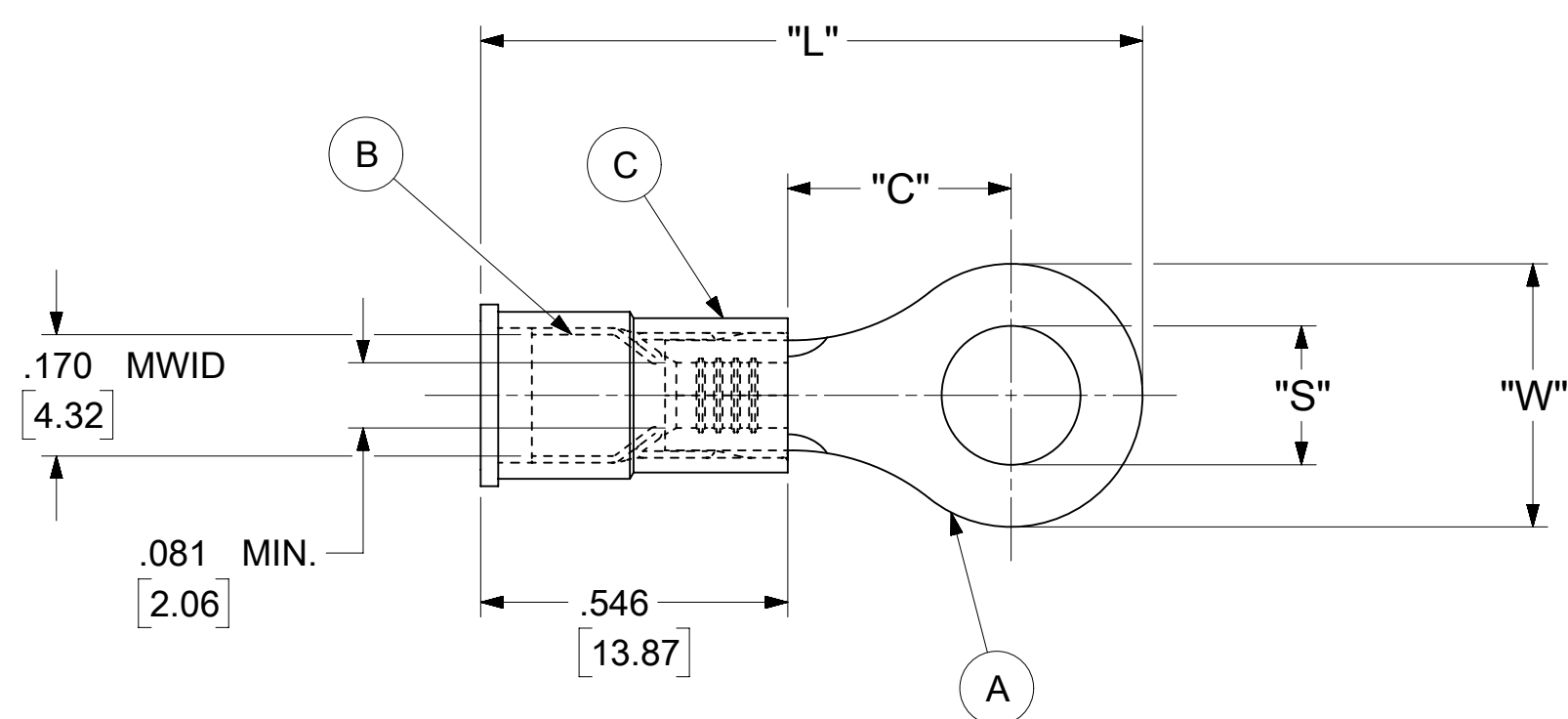


LOOSE PIECE		TAPE MOUNTED		SPECIFICATIONS						
MATERIAL NUMBER	ENGINEERING NUMBER	MATERIAL NUMBER	ENGINEERING NUMBER	STUD SIZE	"S" ±.005 [0.13]	"W" ±.010 [0.25]	"C" MIN.	"L" MAX.	"H"	STOCK ±.001 [0.025] THICKNESS
190570046	B-518-38	---	---	38	.390 [9.91]	.534 [13.56]	.554 [14.07]	1.407 [35.74]	---	.031 [0.79]
190570048	B-518-56	---	---	56	.328 [8.33]					
190570052	B-523-04	---	---	4	.119 [3.02]	.250 [6.35]	.209 [5.31]	.931 [23.65]	.980 [24.89]	.031 [0.79]
190570054	B-523-06	190570055	B-523-06T	6	.146 [3.71]					
190570056	B-523-08	190570057	B-523-08T	8	.173 [4.39]					
190570060	B-525-14	---	---	14	.265 [6.73]	.467 [11.86]	.388 [9.86]	1.208 [30.68]	---	.031 [0.79]
190570062	B-525-56	---	---	56	.328 [8.33]					
190570086	B-537-04	---	---	4	.119 [3.02]	.312 [7.92]	.285 [7.24]	1.022 [25.96]	---	.031 [0.79]
190570088	B-537-06	---	---	6	.146 [3.71]					
190570090	B-537-08	---	---	8	.173 [4.39]					
190570093	B-537-10	---	---	10	.198 [5.03]					
190570100	B-539-08	---	---	8	.173 [4.39]	.342 [8.69]	.310 [7.87]	1.067 [27.10]	---	.031 [0.79]
190570102	B-539-10	---	---	10	.198 [5.03]					



PARTS ON TAPE

- NOTES:
- MATERIAL:
 - (A). RING TONGUE TERMINAL: COPPER
PLATING: ELECTRO-TIN (.0003 MIN.)
 - (B). TIN-PLATED BRASS FUNNEL FERRULE
 - (C). INSULATION: NYLON (BLUE)
 - MWID: MAXIMUM WIRE INSULATION DIAMETER
 - WIRE SIZE: 16 -14 AWG
1.0 -2.5 MM²
 - ALL DIMENSIONS IN INCHES/[MM].
 - PARTS ARE ROHS COMPLIANT.
 - DIMS. SHOWN ARE FOR REFERENCE ONLY.

SYMBOLS										THIS DRAWING CONTAINS INFORMATION THAT IS PROPRIETARY TO MOLEX ELECTRONIC TECHNOLOGIES, LLC AND SHOULD NOT BE USED WITHOUT WRITTEN PERMISSION									
DIMENSION UNITS					SCALE					CURRENT REV DESC: MIGRATION TO ECTR/NX									
INCH/MM					NTS														
GENERAL TOLERANCES (UNLESS SPECIFIED)										EC NO: 620952									
4 PLACES ± --- ± ---					MM					INCH					DRWN: ABENJAMINLW 2019/06/14				
3 PLACES ± --- ± .005															CHK'D: GROJAS01 2019/07/19				
2 PLACES ± 0.13 ± .01															APPR: JMACNEIL 2019/08/05				
1 PLACE ± 0.25 ± ---															INITIAL REVISION:				
0 PLACES ± --- ± ---															DRWN: KO 1984/11/12				
ANGULAR TOL ± 0.5 °															APPR: JMACNEIL 2019/08/05				
DRAFT WHERE APPLICABLE MUST REMAIN WITHIN DIMENSIONS					THIRD ANGLE PROJECTION					DRAWING					SERIES				
					C-SIZE					19057					DOCUMENT NUMBER				
SEE TABLE					GENERAL MARKET					1 OF 1					DOC TYPE DOC PART REVISION				
															190570042 PSD 000 A				

NOTES:

- ① MAT'L: COPPER (STOCK TKN. $\frac{.031}{.79} \pm .001$)
PLATING: ELECTRO TIN (.0003 MIN)
- ② TIN-PLATED BRASS FUNNEL FERRULE
- ③ NYLON INSULATION (COLOR CODED BLUE)

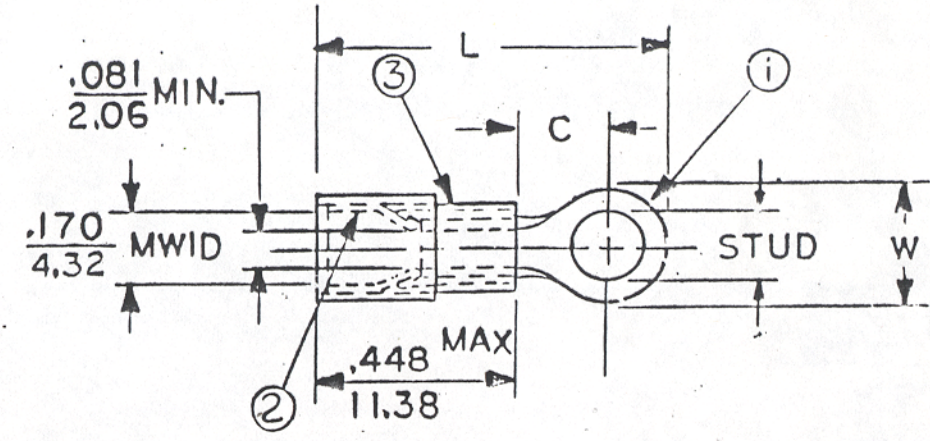
STUD SIZES: ($\pm .005$)

- 02 = .094
- 04 = .119
- 06 = .146
- 08 = .173
- 10 = .198
- 14 = .265
- 56 = .328
- 38 = .390

"UL" LISTING # E32244
"CSA" LISTING # 18689

WIRE SIZE: 16-14 AWG
1.0-2.5 MM²

FILE NO. B-CD-501-01



ALL DIMENSIONS = $\frac{\text{INCHES}}{\text{MM}}$ (MWID) = DENOTES MAXIMUM WIRE INSULATION DIAMETER

PART NUMBER	"W" $\pm .010$	"C" MIN.	"L" MAX.	AVAILABLE STUD SIZES
B-523-	$\frac{.250}{6.35}$	$\frac{.209}{5.31}$	$\frac{.833}{21.16}$	04,06,08

DIMENSIONAL TOLERANCES UNLESS OTHERWISE SPECIFIED			REFERENCE	SCALE: NTS	DATE: 11-12-84	TITLE: RING TONGUE TERMINAL AVIKRIMP 500-SERIES	
FRAC.	DEC.	ANG.		DRWN. BY: JG	11-30-84		
\pm	\pm	\pm		CHKD. BY: GZ			
							DWG. NO. A CUSTOMER DWG

X-ON Electronics

Largest Supplier of Electrical and Electronic Components

Click to view similar products for [Terminals](#) category:

Click to view products by [Molex](#) manufacturer:

Other Similar products are found below :

[00-054007-01074-6](#) [00-054007-70206-1](#) [00-054007-70210-8](#) [00-054007-70217-7](#) [00-054007-70226-9](#) [00-054007-70228-3](#) [00-054007-70248-1](#) [00-054007-70256-6](#) [00-054007-70301-3](#) [00-054007-70316-7](#) [0-0320562-0](#) [00-054007-49560-4](#) [00-054007-70209-2](#) [00-054007-70225-2](#) [00-054007-70227-6](#) [00-054007-70231-3](#) [00-054007-70241-2](#) [00-054007-70242-9](#) [00-054007-70244-3](#) [00-054007-70246-7](#) [00-054007-70263-4](#) [00-054007-70288-7](#) [00-054007-70290-0](#) [00-054007-70300-6](#) [00-054007-70304-4](#) [01-2065-1-0216](#) [01-2900-1-04412](#) [00581P0075](#) [600TS-10](#) [60205-1](#) [604200-1](#) [605601-1](#) [60598-1-CUT-TAPE](#) [61314-6-C](#) [61810-3](#) [61-S](#) [626-0194](#) [62-NBM-A](#) [62-SN](#) [62-SP](#) [640179-1](#) [M55155/059I03](#) [M55155/079C01](#) [M55155/099H02](#) [M55155/109H01](#) [M55155/109H02](#) [M55155/12XH05](#) [M55155/16XH02](#) [M55155/29-5S](#) [M55155/29XJ08](#)