

NOTES:

- ① MAT'L: COPPER (STOCK TRN. $\frac{.040}{1.02}$)
PLATING: ELECTRO TIN (.0003 MIN)
- ② TIN-PLATED BRASS FUNNEL: FERRULE

$\pm .001$

FILE NO. C-CD-401-01

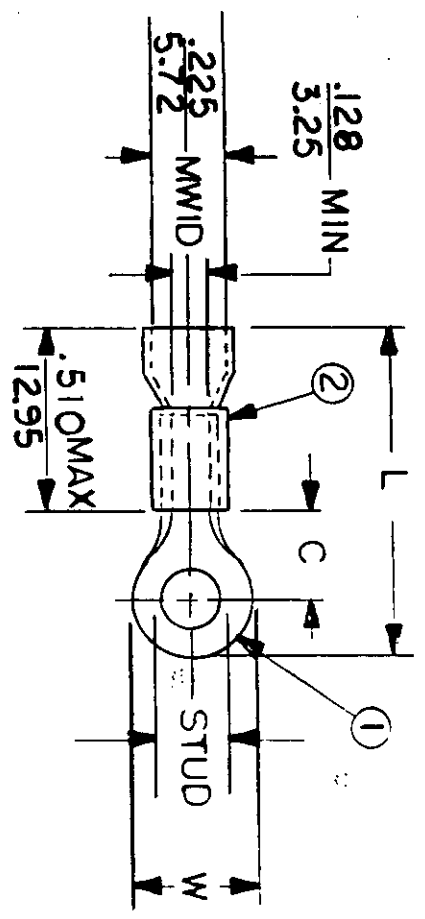
STUD SIZES: ($\pm .005$)

02 = .094	413 = 413
04 = .119	76 = 453
06 = .146	12 = 515
08 = .173	
10 = .198	
14 = .265	
56 = .328	
38 = .390	
209 = .209	

"UL" LISTING # E32244
"CSA" LISTING # 18689

WIRE SIZE: 12-10AWG
4.0-6.0 MM²

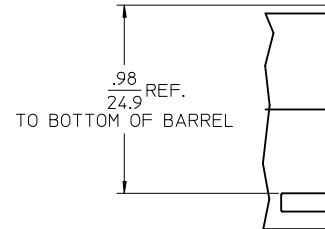
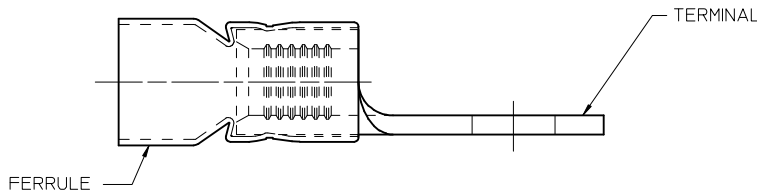
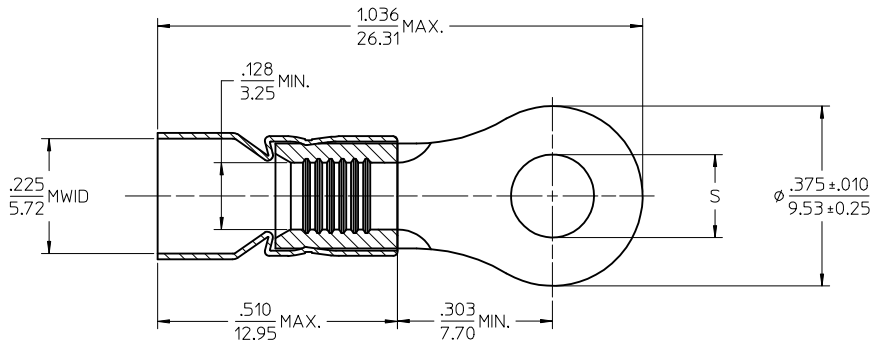
ALL DIMENSIONS = $\frac{\text{INCHES}}{\text{MM}}$ (MWID) DENOTES MAXIMUM WIRE INSULATION DIAMETER



PART NUMBER	"W" $\pm .010$	"C" MIN.	"L" MAX.	REFERENCE	SCALE:	NTS	DATE	TITLE:	DWG. NO.	A	CUSTOMER DWG
C-401-	.750	.611	1.531								
C-428-	.375	.303	1.036								
C-430-	.530	.393	1.203								
C-436-	.282	.306	.992								
C-440-	.592	.468	1.307								
DIMENSIONAL TOLERANCES UNLESS OTHERWISE SPECIFIED		REFERENCE		SCALE:		DATE		TITLE:			
FRAC. DEC. ANG.		DRAWN BY: JJ		NTS		11-19-84		RING TONGUE TERMINAL VIBRAKRIMP 400-SERIES			
\pm		CHKD. BY: GZ				11-26-84					
\pm		APPRD. BY:									



13		12		11		10		9		8		7		6		5		4	
LOOSE PIECE BOX		TAPE MOUNTED PARTS				STUD SIZE	SPECIFICATION "S" ±.005/0.13	TERMINAL BASE METAL	TERMINAL FINISH/PLATING	FERRULE BASE METAL	FERRULE FINISH/PLATING								
MATERIAL NUMBER	ENGINEERING NUMBER	MATERIAL NUMBER	ENGINEERING NUMBER	ENGINEERING NUMBER															
190720094	C-428-06	---	---	---	---	6	.146/3.71	COPPER	TIN	BRASS	TIN								
190720097	C-428-08	---	---	---	---	8	.173/4.39	COPPER	TIN	BRASS	TIN								
190720100	C-428-10	190720101	C-428-10T			10	.198/5.03	COPPER	TIN	BRASS	TIN								
190720142	C-428-10X	---	---	---	---	10	.198/5.03	COPPER	TIN	BRASS	TIN								
192030236	C-T-428-08	---	---	---	---	8	.173/4.39	COPPER	NICKEL	BRASS	NICKEL								
192030237	C-U-428-10	192030122	C-U-428-10T			10	.198/5.03	NICKEL	NONE	BRASS	NICKEL								



- NOTES:
1. MVID = MAXIMUM WIRE INSULATION.
 2. WIRE SIZE: 12-10 AWG, 4.0-6.0 MM²
 3. PARTS ARE ROHS COMPLIANT.

REV	DESCRIPTION	QUALITY SYMBOLS	GENERAL TOLERANCES (UNLESS SPECIFIED)		DIMENSION STYLE	
			mm	INCH	IN/MM	
4 PLACES	± .005	± .005	DLM	DATE	2002/08/23	
3 PLACES	± .013	± .013	JMACNEIL	DATE	2014/11/05	
2 PLACES	± 0.13	± .01	JMACNEIL	DATE	2014/12/10	
1 PLACE	± 0.25	± .005	JMACNEIL	DATE	2014/12/10	
0 PLACE	±	±	MATERIAL NO.			
ANGULAR ±1/2°			SEE CHART			
DRAFT WHERE APPLICABLE MUST REMAIN WITHIN DIMENSIONS			SIZE	THIS DRAWING CONTAINS INCORPORATED AND S		

SALES

X-ON Electronics

Largest Supplier of Electrical and Electronic Components

Click to view similar products for [Terminals](#) category:

Click to view products by [Molex](#) manufacturer:

Other Similar products are found below :

[00-054007-01074-6](#) [00-054007-70206-1](#) [00-054007-70210-8](#) [00-054007-70217-7](#) [00-054007-70226-9](#) [00-054007-70228-3](#) [00-054007-70248-1](#) [00-054007-70256-6](#) [00-054007-70301-3](#) [00-054007-70316-7](#) [0-0320562-0](#) [00-054007-49560-4](#) [00-054007-70209-2](#) [00-054007-70225-2](#) [00-054007-70227-6](#) [00-054007-70231-3](#) [00-054007-70241-2](#) [00-054007-70242-9](#) [00-054007-70244-3](#) [00-054007-70246-7](#) [00-054007-70263-4](#) [00-054007-70288-7](#) [00-054007-70290-0](#) [00-054007-70300-6](#) [00-054007-70304-4](#) [01-2065-1-0216](#) [01-2900-1-04412](#) [00581P0075](#) [600TS-10](#) [60205-1](#) [604200-1](#) [605601-1](#) [60598-1-CUT-TAPE](#) [61314-6-C](#) [61810-3](#) [61-S](#) [61-SN](#) [626-0194](#) [62-NBM-A](#) [62-SN](#) [62-SP](#) [640179-1](#) [M55155/059I03](#) [M55155/079C01](#) [M55155/099H02](#) [M55155/109H01](#) [M55155/109H02](#) [M55155/12XH05](#) [M55155/16XH02](#) [M55155/29-5S](#)