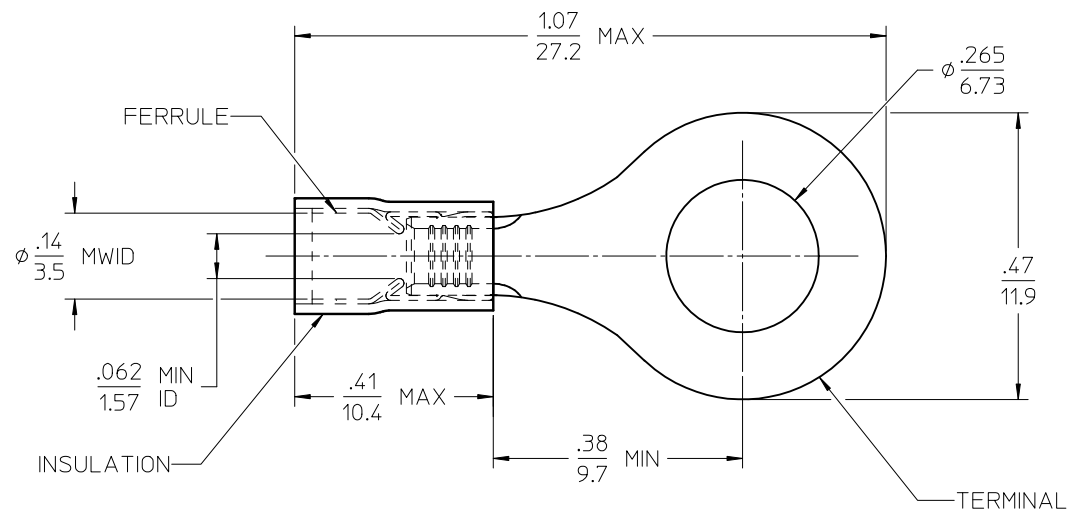


10	9	8	7	6	5	4	3	2	19073
MATERIAL NUMBER	ENGINEERING P/N	STUD SIZE							
190730531	AA-822-14-AU	1/4"							



NOTES:

- MATERIALS:
 TERMINAL: GOLD-OVER-NICKEL-PLATED COPPER
 (30 μn GOLD OVER 100 μn NICKEL) (A1)
 FERRULE: TIN-PLATED COPPER ALLOY
 INSULATION: LIGHT RED NYLON
- MWID = MAXIMUM WIRE INSULATION DIAMETER
- PART IS ROHS COMPLIANT.

SALES DRAWING

ADD PLTNG THCKNS EC NO: WNA2011-0177 DRW:ETHRODAHL 2010/10/05 CHKD:JMACNEIL 2010/10/05 APPR:JMACNEIL 2011/01/21	QUALITY SYMBOLS ▽=0 ▽=0	GENERAL TOLERANCES (UNLESS SPECIFIED) <table border="1"> <tr> <th></th> <th>mm</th> <th>INCH</th> </tr> <tr> <td>4 PLACES</td> <td>± ---</td> <td>± ---</td> </tr> <tr> <td>3 PLACES</td> <td>± ---</td> <td>± .005</td> </tr> <tr> <td>2 PLACES</td> <td>± 0.13</td> <td>± .010</td> </tr> <tr> <td>1 PLACE</td> <td>± 0.25</td> <td>± .020</td> </tr> </table>		mm	INCH	4 PLACES	± ---	± ---	3 PLACES	± ---	± .005	2 PLACES	± 0.13	± .010	1 PLACE	± 0.25	± .020	DIMENSION STYLE IN/MM	SCALE --- SPECIFIED	DESIGN UNITS INCH	THIRD ANGLE PROJECTION
		mm	INCH																		
	4 PLACES	± ---	± ---																		
	3 PLACES	± ---	± .005																		
2 PLACES	± 0.13	± .010																			
1 PLACE	± 0.25	± .020																			
DRAWN BY ETHRODAHL	DATE 2010/06/17	TITLE RING TONGUE TERMINAL 22-18 AWG AVIKRIMP GOLD PLATED																			
CHECKED BY JMACNEIL	DATE 2010/06/17	MOLEX INCORPORATED																			
APPROVED BY JMACNEIL	DATE 2010/06/28	MATERIAL NO. SEE CHART	DOCUMENT NO. SD-19073-009	SHEET NO. 1 OF 1																	

DRAFT WHERE APPLICABLE
 MUST REMAIN
 WITHIN DIMENSIONS

SEE CHART

SIZE B

THIS DRAWING CONTAINS INFORMATION THAT IS PROPRIETARY TO MOLEX INCORPORATED AND SHOULD NOT BE USED WITHOUT WRITTEN PERMISSION

9	8	7	6	5	4	3	2	1
---	---	---	---	---	---	---	---	---

X-ON Electronics

Largest Supplier of Electrical and Electronic Components

Click to view similar products for [Terminals](#) category:

Click to view products by [Molex](#) manufacturer:

Other Similar products are found below :

[00-054007-01074-6](#) [00-054007-70206-1](#) [00-054007-70210-8](#) [00-054007-70217-7](#) [00-054007-70226-9](#) [00-054007-70228-3](#) [00-054007-70248-1](#) [00-054007-70256-6](#) [00-054007-70301-3](#) [00-054007-70316-7](#) [0-0320562-0](#) [00-054007-49560-4](#) [00-054007-70209-2](#) [00-054007-70225-2](#) [00-054007-70227-6](#) [00-054007-70231-3](#) [00-054007-70241-2](#) [00-054007-70242-9](#) [00-054007-70244-3](#) [00-054007-70246-7](#) [00-054007-70263-4](#) [00-054007-70288-7](#) [00-054007-70290-0](#) [00-054007-70300-6](#) [00-054007-70304-4](#) [01-2065-1-0216](#) [01-2900-1-04412](#) [00581P0075](#) [600TS-10](#) [60205-1](#) [604200-1](#) [605601-1](#) [60598-1-CUT-TAPE](#) [61314-6-C](#) [61810-3](#) [61-S](#) [61-SN](#) [626-0194](#) [62-NBM-A](#) [62-SN](#) [62-SP](#) [640179-1](#) [M55155/059I03](#) [M55155/079C01](#) [M55155/099H02](#) [M55155/109H01](#) [M55155/109H02](#) [M55155/12XH05](#) [M55155/16XH02](#) [M55155/29-5S](#)