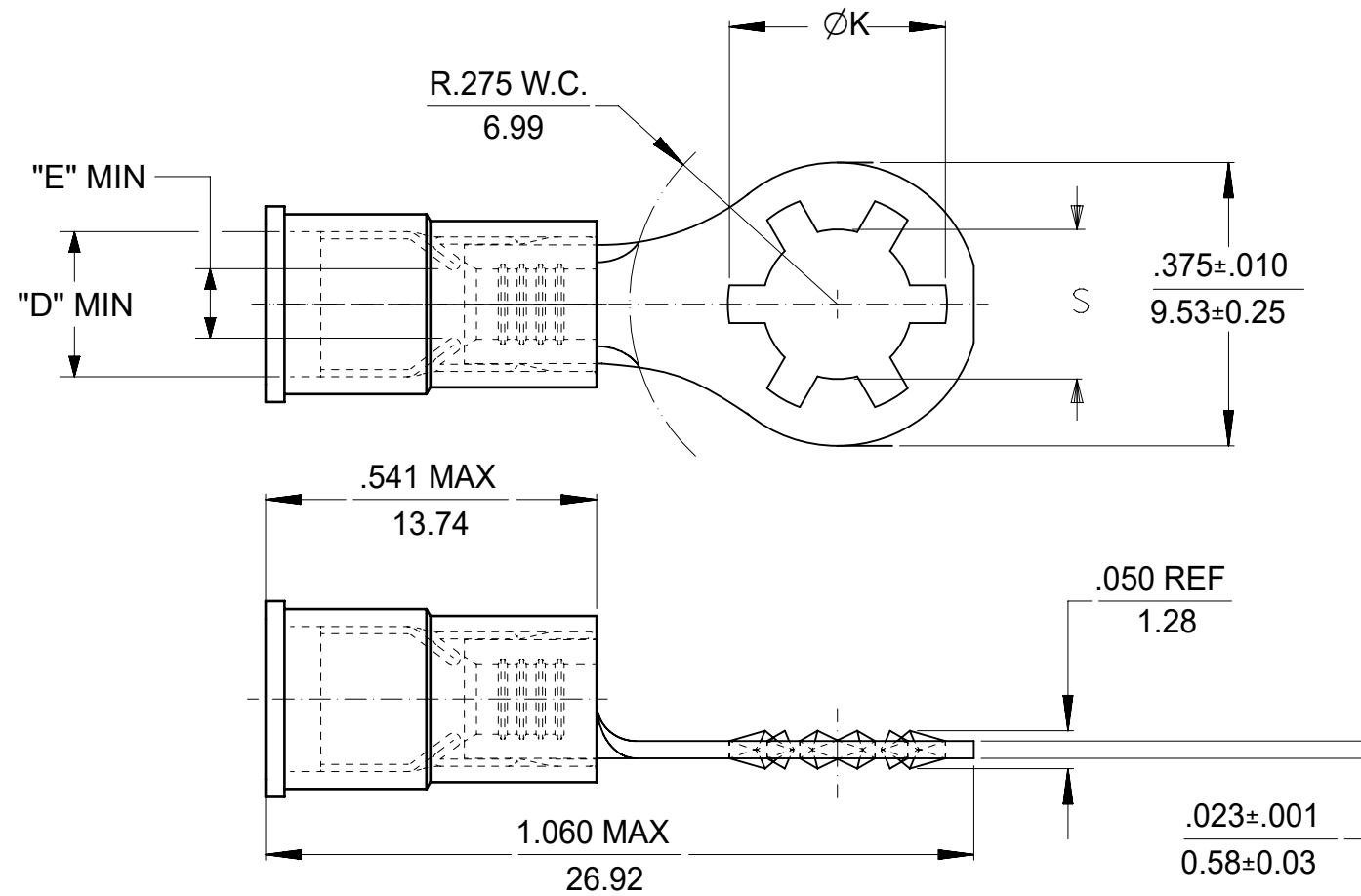


MATERIAL NO.	ENG NO.	HOUSING COLOR WIRE AWG	TERMINAL MAT'L	S ±.007/.178	K REF	"D" MIN	"E" MIN
190760001	SRA-529-06	RED	BRASS	.146/3.71	.236/5.99	.140 (3.56)	.054 (1.37)
190760003	SRA-529-08	22-18 AWG		.173/4.40	.263/6.68		
190760005	SRA-529-10	(0.38-0.96MM ²)		.198/5.03	.288/7.32		
190760013	SRB-529-06	BLUE		.146/3.71	.236/5.99	.170 (4.32)	.084 (2.13)
190760015	SRB-529-08	16-14 AWG		.173/4.40	.263/6.68		
190760017	SRB-529-10	(1.23-1.94MM ²)		.198/5.03	.288/7.32		
190760007	SRA-S-529-06	RED	STEEL	.146/3.71	.236/5.99	.140 (3.56)	.054 (1.37)
190760009	SRA-S-529-08	22-18 AWG		.173/4.40	.263/6.68		
190760011	SRA-S-529-10	(0.38-0.96MM ²)		.198/5.03	.288/7.32		
190760019	SRB-S-529-06	BLUE		.146/3.71	.236/5.99	.170 (4.32)	.084 (2.13)
190760021	SRB-S-529-08	16-14 AWG		.173/4.40	.263/6.68		
190760023	SRB-S-529-10	(1.23-1.94MM ²)		.198/5.03	.288/7.32		



- A1**
- NOTE(S):
- FINISH:
TERMINAL: TIN-PLATED (BRASS OR STEEL)
FERRULE: TIN-PLATED BRASS
 - MWID: MAXIMUM WIRE INSULATION DIAMETER.
 - ASSEMBLY IS RoHS COMPLIANT.

ORIGINAL DRAWING WAS SD-19076-001

FUNCTIONAL SYMBOLS	THIS DRAWING CONTAINS INFORMATION THAT IS PROPRIETARY TO MOLEX ELECTRONIC TECHNOLOGIES, LLC AND SHOULD NOT BE USED WITHOUT WRITTEN PERMISSION		CURRENT REV DESC: WAS DWG: SD-19076-001. UPDATE DWG & RMV BOM.		molex				
	DIMENSION UNITS	SCALE							
	$\frac{E}{A} = 0$	INCH/MM	4:1	EC NO: 672118 DRWN: DMYRICK 2021/07/30 CHK'D: JMACNEIL 2021/08/02 APPR: JMACNEIL 2021/08/02			STAR RING TERMINAL, AVIKRIMP		
	$\frac{E}{E} = 0$	GENERAL TOLERANCES (UNLESS SPECIFIED)							
$\frac{E}{D} = 0$			PRODUCT CUSTOMER DRAWING						
DIVISIONAL SYMBOLS	MM	INCH							
	4 PLACES ±	±	DOCUMENT NUMBER			DOC TYPE	DOC PART	REVISION	
	3 PLACES ±	±	190760001			PSD	000	A1	
	2 PLACES ±	±	MATERIAL NUMBER			CUSTOMER			
	1 PLACE ±	±	SEE CHART			SHEET NUMBER			
	0 PLACES ±	±				1 OF 1			
	ANGULAR TOL ± °		THIRD ANGLE PROJECTION		DRAWING	SERIES			
	DRAFT WHERE APPLICABLE MUST REMAIN WITHIN DIMENSIONS				B-SIZE	19076			

X-ON Electronics

Largest Supplier of Electrical and Electronic Components

Click to view similar products for [Terminals](#) category:

Click to view products by [Molex](#) manufacturer:

Other Similar products are found below :

[0-0031894-0](#) [0-0035108-0](#) [0-0036150-0](#) [00051128587317](#) [00051128588178](#) [00051128588642](#) [00-054007-01074-6](#) [00-054007-49560-4](#) [00-054007-70206-1](#) [00-054007-70209-2](#) [00-054007-70210-8](#) [00-054007-70217-7](#) [00-054007-70225-2](#) [00-054007-70226-9](#) [00-054007-70227-6](#) [00-054007-70228-3](#) [00-054007-70231-3](#) [00-054007-70241-2](#) [00-054007-70242-9](#) [00-054007-70244-3](#) [00-054007-70246-7](#) [00-054007-70248-1](#) [00-054007-70256-6](#) [00-054007-70263-4](#) [00-054007-70288-7](#) [00-054007-70290-0](#) [00-054007-70300-6](#) [00-054007-70301-3](#) [00-054007-70304-4](#) [00-054007-70316-7](#) [0-0130008-0](#) [0-0130171-0](#) [0-0130532-0](#) [0-0131330-0](#) [0-0160298-0](#) [0-0165034-0](#) [0-0165536-1](#) [0-0320562-0](#) [0-0321045-0](#) [00581P0075](#) [010996B](#) [01-1103-1-0212](#) [01-1103-1-0219](#) [01-2010-1-0212](#) [01-2065-1-0216](#) [0124300000](#) [0124400000](#) [0124700000](#) [0124800000](#) [01-2900-1-04410](#)