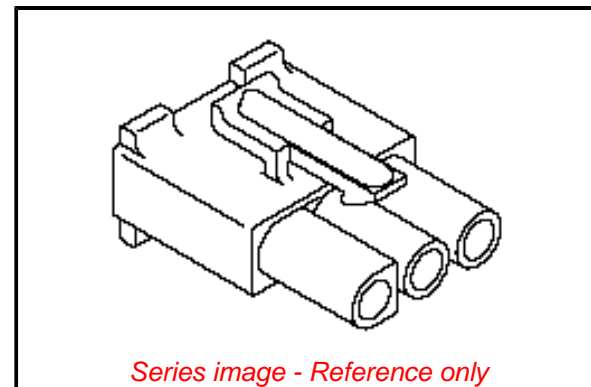


**PLEASE CHECK WWW.MOLEX.COM FOR LATEST PART INFORMATION**

**Part Number:** [0019091049](#)  
**Status:** **Active**  
**Overview:** Standard .093" Pin and Socket Connectors  
**Description:** 2.36mm Diameter Standard .093" Pin and Socket Receptacle Housing with Positive Latch, UL 94V-2, 4 Circuits

**Documents:**

|   |   |
|---|---|
| <a href="#">3D Model</a>                                    | <a href="#">Packaging Specification 31910001-PK-000 (PDF)</a> |
| <a href="#">3D Model (PDF)</a>                              | <a href="#">Packaging Specification PK-3191-001-001 (PDF)</a> |
| <a href="#">Drawing (PDF)</a>                               | <a href="#">RoHS Certificate of Compliance (PDF)</a>          |
| <a href="#">Product Specification PS-3191-001-001 (PDF)</a> |   |



**Agency Certification**

|     |         |
|-----|---------|
| CSA | LR19980 |
| UL  | E29179  |

**General**

|                |  |
|----------------|--|
| Product Family | Crimp Housings   |
| Series         | <a href="#">3191</a>                                     |
| Application    | Power, Wire-to-Board, Wire-to-Wire                       |
| Comments       | Polarized to Mating Part, without Mounting Ears          |
| Overview       | <a href="#">Standard .093" Pin and Socket Connectors</a> |
| Product Name   | Standard .093"   |
| UPC            | 800753594500   |

**Physical**

|                               |                |
|-------------------------------|----------------|
| Breakaway                     | No             |
| Circuits (maximum)            | 4              |
| Circuits Detail               | 2x2            |
| Color - Resin                 | Natural        |
| Flammability                  | 94V-2          |
| Gender                        | Receptacle     |
| Glow-Wire Capable             | No             |
| Keying to Mating Part         | None           |
| Lock to Mating Part           | Yes            |
| Material - Resin              | Nylon          |
| Net Weight                    | 3.800/g        |
| Number of Rows                | 1              |
| Packaging Type                | Bag            |
| Panel Mount                   | No             |
| Pitch - Mating Interface      | 6.70mm         |
| Polarized to Mating Part      | Yes            |
| Stackable                     | No             |
| Temperature Range - Operating | -40° to +105°C |

**Electrical**

|                               |      |
|-------------------------------|------|
| Current - Maximum per Contact | 9.0A |
|-------------------------------|------|

**Solder Process Data**

|                              |     |
|------------------------------|-----|
| Lead-free Process Capability | N/A |
|------------------------------|-----|

**Material Info**

|                    |          |
|--------------------|----------|
| Engineering Number | 3191-4R1 |
|--------------------|----------|

**Reference - Drawing Numbers**

|                         |                                  |
|-------------------------|----------------------------------|
| Packaging Specification | 31910001-PK-000, PK-3191-001-001 |
| Product Specification   | PS-3191-001-001                  |
| Sales Drawing           | SD-3191-4X-002                   |

**EU ELV**

**Not Relevant**

**EU RoHS**

**Compliant**

**REACH SVHC**

Not Contained Per -  
D(2021)4569-DC (8  
July 2021)

**Halogen-Free**

**Status**

**Low-Halogen**

For more information, please visit [Contact US](#)

China ROHS

ELV

RoHS Phthalates

**China RoHS**

Green Image

Not Relevant

Not Contained

**Search Parts in this Series**

[3191 Series](#)

**Mates With**

[19092046](#) , [19092047](#) , [19092048](#) ,  
[19092049](#) , [5219](#)

**Use With**

Standard .093" Female Crimp Terminals  
[1189](#) , [1381](#) , [1433](#) , [4550](#) . Standard .093"  
Male Crimp Terminals [1190](#) , [1380](#) , [1434](#) ,  
[1973](#) , [42138](#)

This document was generated on 09/01/2021

**PLEASE CHECK [WWW.MOLEX.COM](http://WWW.MOLEX.COM) FOR LATEST PART INFORMATION**

## X-ON Electronics

Largest Supplier of Electrical and Electronic Components

*Click to view similar products for [Pin & Socket Connectors](#) category:*

*Click to view products by [Molex](#) manufacturer:*

Other Similar products are found below :

[6450822-1](#) [770392-1](#) [794042-1](#) [796885-1](#) [8-794535-1](#) [PLR3455ACS-222](#) [R929991004](#) [R929993003](#) [1403611-1](#) [1-480349-5](#) [152302-5](#)  
[153211-2](#) [1586092-1](#) [1586129-1](#) [1586681-4](#) [1586700-1](#) [1586368-1](#) [1586380-1](#) [1586616-1](#) [1586680-5](#) [16-06-0038](#) [164164-5](#) [1-6609930-1](#)  
[172296-1](#) [19-09-2035](#) [200503-1](#) [200788-2](#) [2029090-4](#) [2029095-4](#) [925061-7](#) [293734-4](#) [293737-2](#) [1-765362-4](#) [1871534-1](#) [200833-4](#)  
[2008625-2](#) [2029027-2](#) [2029096-4](#) [R929991000](#) [R929991002](#) [R929993000](#) [319-10-101-00-005000](#) [319-10-102-00-001000](#) [319-10-104-00-001000](#) [319-10-105-00-001000](#) [319-10-108-00-001000](#) [319-10-112-00-006000](#) [39-01-8019](#) [319-10-101-00-001000](#) [319-10-102-00-005000](#)