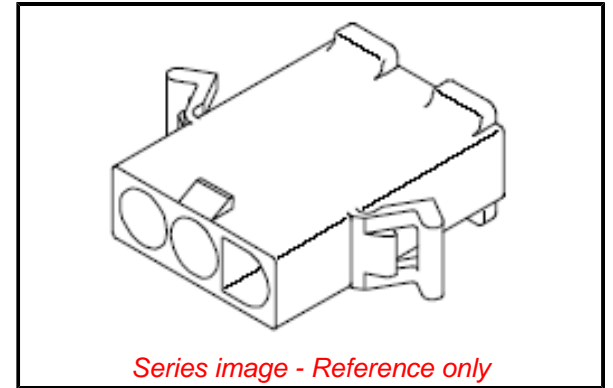


**PLEASE CHECK WWW.MOLEX.COM FOR LATEST PART INFORMATION**

**Part Number:** [0019092046](#)  
**Status:** **Active**  
**Overview:** Standard .093" Pin and Socket Connectors  
**Description:** 2.36mm Diameter Standard .093" Pin and Socket Plug Housing with Positive Latch, UL 94V-0, without Panel Mount, 4 Circuits

**Documents:**

<a href="#">3D Model</a>	<a href="#">Packaging Specification 31910002-PK-000 (PDF)</a>
<a href="#">Drawing (PDF)</a>	<a href="#">Packaging Specification PK-3191-001-001 (PDF)</a>
<a href="#">3D Model (PDF)</a>	<a href="#">RoHS Certificate of Compliance (PDF)</a>



**Agency Certification**

CSA	LR19980
UL	E29179

**General**

Product Family	Crimp Housings
Series	<a href="#">3191</a>
Application	Power, Wire-to-Wire
Comments	Polarized to Mating Part, without Mounting Ears
Overview	<a href="#">Standard .093" Pin and Socket Connectors</a>
Product Name	Standard .093"
UPC	800753872509

**Physical**

Breakaway	No
Circuits (maximum)	4
Circuits Detail	2x2
Color - Resin	Natural
Flammability	94V-2
Gender	Plug
Glow-Wire Capable	No
Keying to Mating Part	None
Lock to Mating Part	Yes
Material - Resin	Nylon
Net Weight	4990.000/mg
Number of Rows	1
Packaging Type	Bag
Panel Mount	No
Pitch - Mating Interface	6.70mm
Polarized to Mating Part	Yes
Stackable	No
Temperature Range - Operating	-40° to +105°C

**Electrical**

Current - Maximum per Contact	9.0A
-------------------------------	------

**Material Info**

Engineering Number	3191-4P1-201
--------------------	--------------

**Reference - Drawing Numbers**

Packaging Specification	31910002-PK-000, PK-3191-001-001
Sales Drawing	SD-3191-4X-001

**EU ELV**

**Not Relevant**

**EU RoHS**

**Compliant**

**REACH SVHC**

Not Contained Per -  
D(2021)4569-DC (8  
July 2021)

**Halogen-Free**

**Status**

**Low-Halogen**

For more information, please visit [Contact US](#)

China ROHS

ELV

RoHS Phthalates

**China RoHS**

Green Image

Not Relevant

Not Contained

**Search Parts in this Series**

[3191 Series](#)

**Mates With**

[19091046](#) , [19091049](#) , [5219](#)

**Use With**

Standard .093" Female Crimp Terminals  
[1189](#) , [1381](#) , [1433](#) , [4550](#) . Standard .093"  
Male Crimp Terminals [1190](#) , [1380](#) , [1434](#) ,  
[1973](#) , [42138](#)

## X-ON Electronics

Largest Supplier of Electrical and Electronic Components

*Click to view similar products for [Pin & Socket Connectors](#) category:*

*Click to view products by [Molex](#) manufacturer:*

Other Similar products are found below :

[6450822-1](#) [770392-1](#) [794042-1](#) [796885-1](#) [8-794535-1](#) [PLR3455ACS-222](#) [R929991004](#) [R929993003](#) [1403611-1](#) [1-480349-5](#) [152302-5](#)  
[153211-2](#) [1586092-1](#) [1586129-1](#) [1586681-4](#) [1586700-1](#) [1586368-1](#) [1586380-1](#) [1586616-1](#) [1586680-5](#) [16-06-0038](#) [164164-5](#) [1-6609930-1](#)  
[172296-1](#) [19-09-2035](#) [200503-1](#) [200788-2](#) [2029090-4](#) [2029095-4](#) [925061-7](#) [293734-4](#) [293737-2](#) [1-765362-4](#) [1871534-1](#) [200833-4](#)  
[2008625-2](#) [2029027-2](#) [2029096-4](#) [R929991000](#) [R929991002](#) [R929993000](#) [319-10-101-00-005000](#) [319-10-102-00-001000](#) [319-10-104-00-001000](#) [319-10-105-00-001000](#) [319-10-108-00-001000](#) [319-10-112-00-006000](#) [39-01-8019](#) [319-10-101-00-001000](#) [319-10-102-00-005000](#)