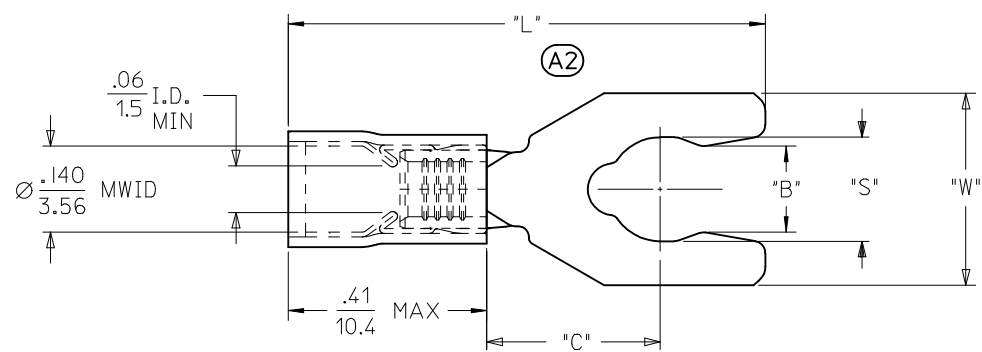
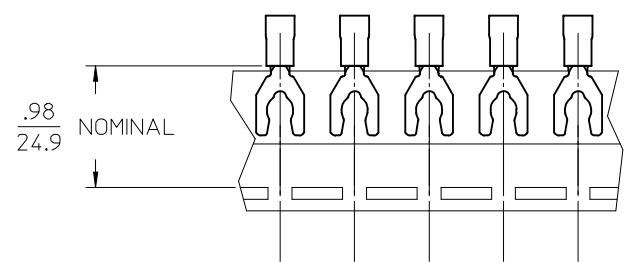


MATERIAL NUMBER	ALTERNATE NUMBER	STUD SIZE	"S" ±.010/0.25	"W" ±.010/0.25	"C" MIN	"L" MAX	"B"	PACKAGING
191150007	AA-8704-05	5	.126/3.20	.255/6.48	.23/5.8	.81/20.6	.105/2.67	LOOSE PIECE
191150009	AA-8704-06	6	.140/3.56	.255/6.48	.23/5.8	.81/20.6	.114/2.90	
191150012	AA-8714-08	8	.168/4.27	.310/7.87	.26/6.6	.88/22.2	.139/3.53	
191150014	AA-8715-10	10	.192/4.88	.330/8.38	.26/6.6	.92/23.4	.156/3.96	TAPE MOUNTED
191150008	AA-8704-05T	5	.126/3.20	.255/6.48	.23/5.8	.81/20.6	.105/2.67	
191150010	AA-8704-06T	6	.140/3.56	.255/6.48	.23/5.8	.81/20.6	.114/2.90	
191150013	AA-8714-08T	8	.168/4.27	.310/7.87	.26/6.6	.88/22.2	.139/3.53	
191150015	AA-8715-10T	10	.192/4.88	.330/8.38	.26/6.6	.92/23.4	.156/3.96	



NOTES:
 1. MATERIAL: COPPER
 PLATING: ELECTROPLATE TIN
 2. FERRULE: TIN-PLATED BRASS
 3. INSULATION: LIGHT RED NYLON
 4. MWID=MAXIMUM WIRE INSULATION DIA.
 5. PARTS ARE ROHS COMPLIANT.

REVISION "L" DIM EC NO: PG2013-0981 DRAWING: GROSAS01 2013/01/02 CHKD: JMCNEIL 2013/01/02 APPR: JMCNEIL 2013/01/31 A2	QUALITY SYMBOLS ▽=0 ▽7=0	GENERAL TOLERANCES (UNLESS SPECIFIED) mm INCH 4 PLACES ± --- ± --- 3 PLACES ± --- ± .005 2 PLACES ± 0.13 ± .010 1 PLACE ± 0.25 ± .020 ANGULAR ± 1/2°	DIMENSION STYLE IN/MM DRAWN BY DATE ETHRODAHL 2010/06/04 CHECKED BY DATE JMCNEIL 2010/06/09 APPROVED BY DATE JMCNEIL 2010/06/22	SCALE --- DESIGN UNITS INCH THIRD ANGLE PROJECTION	TITLE SNAP SPADE TERMINAL AVIKRIMP 22-18 AWG
	DRAFT WHERE APPLICABLE MUST REMAIN WITHIN DIMENSIONS		MATERIAL NO. SEE CHART	DOCUMENT NO. SD-19115-001	SHEET NO. 1 OF 1
	THIS DRAWING CONTAINS INFORMATION THAT IS PROPRIETARY TO MOLEX INCORPORATED AND SHOULD NOT BE USED WITHOUT WRITTEN PERMISSION				
	MOLEX INCORPORATED				

X-ON Electronics

Largest Supplier of Electrical and Electronic Components

Click to view similar products for [Terminals](#) category:

Click to view products by [Molex](#) manufacturer:

Other Similar products are found below :

[00-054007-01074-6](#) [00-054007-70206-1](#) [00-054007-70210-8](#) [00-054007-70217-7](#) [00-054007-70226-9](#) [00-054007-70228-3](#) [00-054007-70248-1](#) [00-054007-70256-6](#) [00-054007-70301-3](#) [00-054007-70316-7](#) [0-0320562-0](#) [00-054007-49560-4](#) [00-054007-70209-2](#) [00-054007-70225-2](#) [00-054007-70227-6](#) [00-054007-70231-3](#) [00-054007-70241-2](#) [00-054007-70242-9](#) [00-054007-70244-3](#) [00-054007-70246-7](#) [00-054007-70263-4](#) [00-054007-70288-7](#) [00-054007-70290-0](#) [00-054007-70300-6](#) [00-054007-70304-4](#) [01-2065-1-0216](#) [01-2900-1-04412](#) [00581P0075](#) [600TS-10](#) [60205-1](#) [604200-1](#) [605601-1](#) [60598-1-CUT-TAPE](#) [61314-6-C](#) [61810-3](#) [61-S](#) [61-SN](#) [626-0194](#) [62-NBM-A](#) [62-SN](#) [62-SP](#) [640179-1](#) [M55155/059I03](#) [M55155/079C01](#) [M55155/099H02](#) [M55155/109H01](#) [M55155/109H02](#) [M55155/12XH05](#) [M55155/16XH02](#) [M55155/29-5S](#)