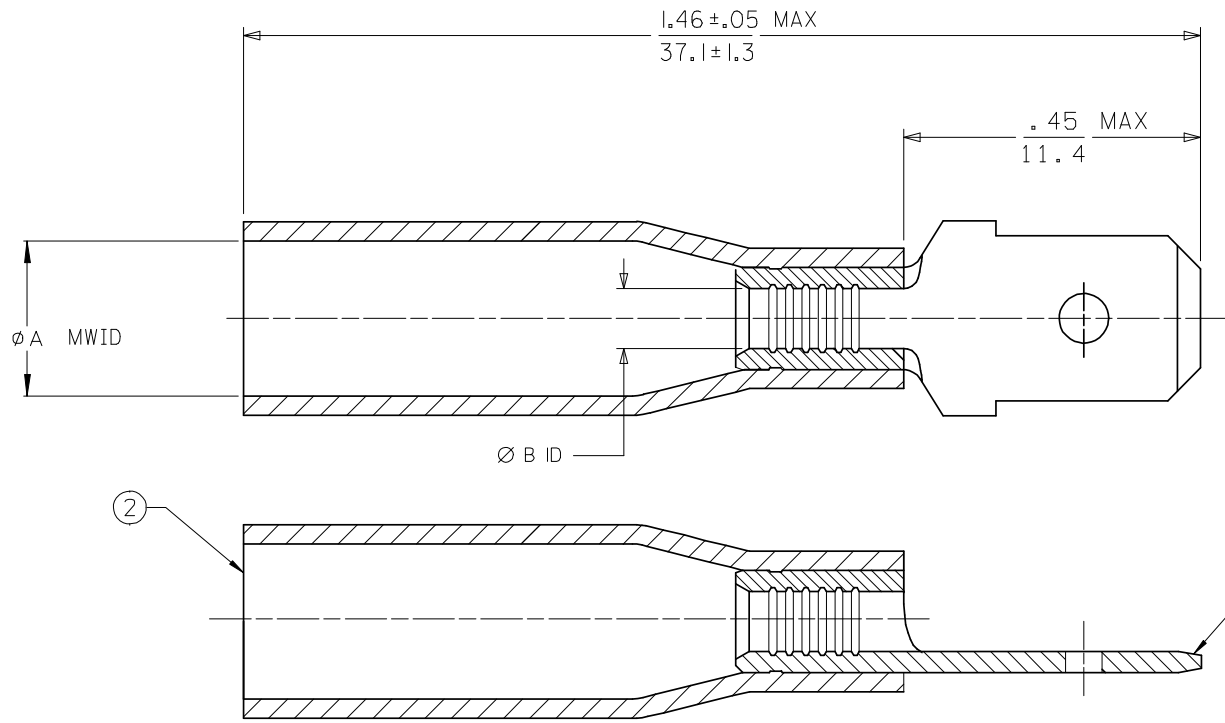


MATERIAL NO.	ENGINEERING NO.	φA MWID	φB ID	TERMINAL MATERIAL	TERMINAL FINISH
191640019	SAMCT-2	.185/4.70 (D)	.054/1.37 (D)	BRASS, .031/0.79 THK REF	ZINC CHROMATE
191640084	SMCT-2	.195/4.95 (D)	.082/2.08	BRASS, .031/0.79 THK REF	ZINC CHROMATE
191640078	SCMCT-2	.275/6.99 (D)	.144/3.65 (D)	BRASS, .031/0.79 THK REF	ZINC CHROMATE



SALES DRAWING

NOTES:

- TAB DIMENSIONS PER UL310 SPECIFICATIONS.
- TAB MATERIAL: SEE CHART
FINISH: SEE CHART
- INSULATION MATERIAL: HEAT SHRINKABLE TUBING WITH HOTMELT ADHESIVE INNER LINER,
- MWID = MAXIMUM WIRE INSULATION DIAMETER.
- PART IS ROHS COMPLAINT.

REV	DESCRIPTION
D	CHANGED MATL & FINISH EC NO: ETC2007-0081 DRWN:EHILE 2008/01/28 CHKD:MACNEIL 2008/01/28 APPR:MACNEIL 2008/02/13

QUALITY SYMBOLS
▽=0
∇=0

GENERAL TOLERANCES (UNLESS SPECIFIED)	
	mm
4 PLACES	±---
3 PLACES	±---
2 PLACES	±0.13
1 PLACE	±0.25
ANGULAR ±---°	
DRAFT WHERE APPLICABLE MUST REMAIN WITHIN DIMENSIONS	

DIMENSION STYLE	
IN/MM	
DRAWN BY	DATE
JLOMASTRO	05/10/13
CHECKED BY	DATE
RDEROSS	05/10/13
APPROVED BY	DATE
RDEROSS	05/10/13
MATERIAL NO.	SEE CHART
SIZE	B

SCALE	DESIGN UNITS	THIRD ANGLE PROJECTION
---	INCH	☉
TITLE		
PERMA-SEAL QD MALE TERMINAL LONG BARREL		
MOLEX INCORPORATED		
MATERIAL NO.	DOCUMENT NO.	SHEET NO.
SEE CHART	SD-19164-049	1 OF 1
THIS DRAWING CONTAINS INFORMATION THAT IS PROPRIETARY TO MOLEX INCORPORATED AND SHOULD NOT BE USED WITHOUT WRITTEN PERMISSION		

X-ON Electronics

Largest Supplier of Electrical and Electronic Components

Click to view similar products for [Terminals](#) category:

Click to view products by [Molex](#) manufacturer:

Other Similar products are found below :

[00-054007-01074-6](#) [00-054007-70206-1](#) [00-054007-70210-8](#) [00-054007-70217-7](#) [00-054007-70226-9](#) [00-054007-70228-3](#) [00-054007-70248-1](#) [00-054007-70256-6](#) [00-054007-70301-3](#) [00-054007-70316-7](#) [0-0320562-0](#) [00-054007-49560-4](#) [00-054007-70209-2](#) [00-054007-70225-2](#) [00-054007-70227-6](#) [00-054007-70231-3](#) [00-054007-70241-2](#) [00-054007-70242-9](#) [00-054007-70244-3](#) [00-054007-70246-7](#) [00-054007-70263-4](#) [00-054007-70288-7](#) [00-054007-70290-0](#) [00-054007-70300-6](#) [00-054007-70304-4](#) [01-2065-1-0216](#) [01-2900-1-04412](#) [00581P0075](#) [600TS-10](#) [60205-1](#) [604200-1](#) [605601-1](#) [60598-1-CUT-TAPE](#) [61314-6-C](#) [61810-3](#) [61-S](#) [61-SN](#) [626-0194](#) [62-NBM-A](#) [62-SN](#) [62-SP](#) [640179-1](#) [M55155/059I03](#) [M55155/079C01](#) [M55155/099H02](#) [M55155/109H01](#) [M55155/109H02](#) [M55155/12XH05](#) [M55155/16XH02](#) [M55155/29-5S](#)