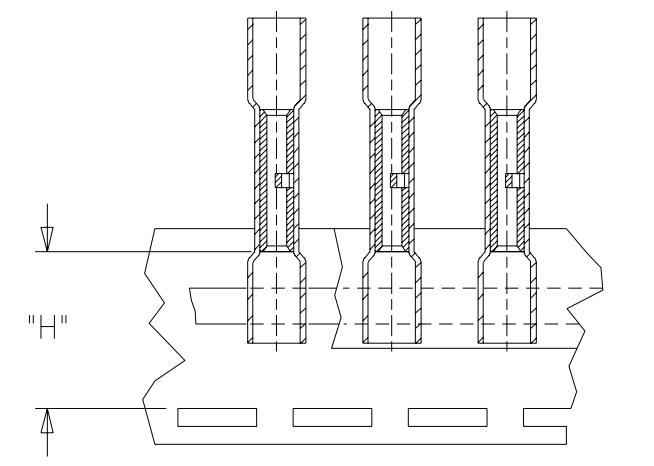
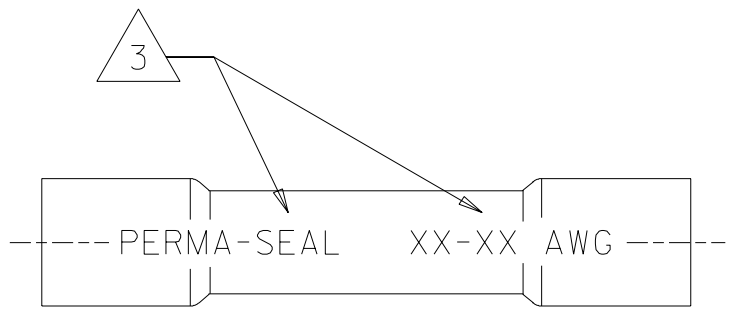
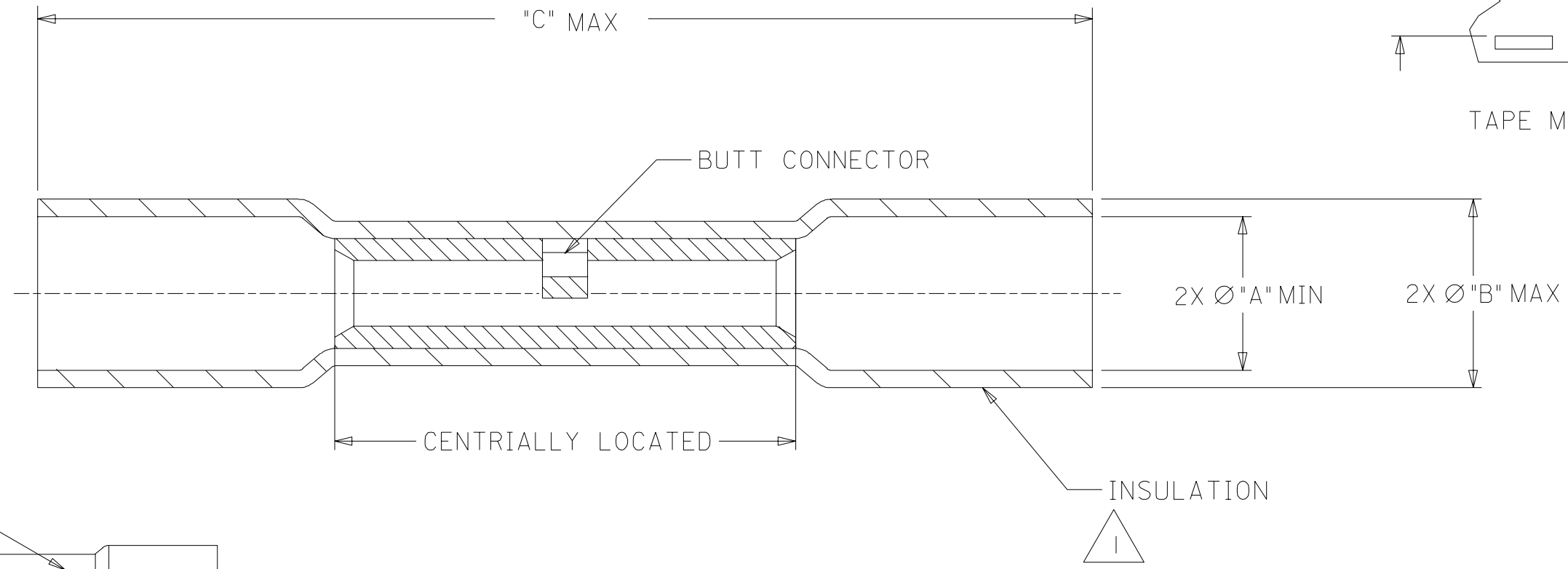


MATERIAL NUMBER	ENGINEERING NUMBER	MYLAR TAPE MATERIAL NUMBER	MYLAR TAPE ENGINEERING NUMBER	PERMA-SEAL COLOR	WIRE AWG △ <sub>3</sub>	"A" MIN	"B" Ø MAX	"C" MAX	"H" © ±.010/0.25
191640013	SAA-22-18	191640014	SAA-22-18T	RED	22-18	.210/5.33	.280/7.11	1.50/38.1	.767/19.48
191640044	SBB-16-14	191640045	SBB-16-14T	BLUE	16-14	.230/5.84	.308/7.82	1.50/38.1	.727/18.47
191640056	SC-12-10	191640057	SC-12-10T	YELLOW	12-10	.305/7.75	.350/8.90	1.75/44.5	.754/19.15
191640079	SD-8	---	---	RED	8	.370/9.40	.448/11.38	2.00/50.8	---



TAPE MOUNTING LOCATION



# SALES DRAWING

- NOTES,
- 1. INSULATION MATERIAL: HEAT SHRINKABLE TUBING WITH HOTMELT INNER LINER. SEE CHART FOR COLOR.
  - 2. SEAMLESS TIN PLATED COPPER TERMINAL.
  - 3. PRINTED TEXT IN BLACK .06 HIGH AS SHOWN.

REVISED "H" EC NO. ETC2004-0051 DRWN: BRE 04/05/05 CHK: HEB 04/05/05 APPR: RWD 04/05/05	QUALITY SYMBOLS MAJOR ▲ = 0 CRITICAL △ = 0	GENERAL TOLERANCES: (UNLESS SPECIFIED)		SCALE NO: NE	DESIGN UNITS <input type="checkbox"/> mm <input checked="" type="checkbox"/> INCH	THIRD ANGLE PROJECTION	DIMENSIONS: <input type="checkbox"/> mm <input checked="" type="checkbox"/> INCH <input type="checkbox"/> mm ONLY	SHT	REV
		4 PLACES ±0.	3 PLACES ±0.	2 PLACES ±0.	1 PLACE ±0.	ANGULAR: ±1/2°	DRAWN BY & DATE BRE 02/03/22		TITLE: PERMA-SEAL BUTT CONNECTORS NIAC
C	REV	DRAFT WHERE APPLICABLE MUST REMAIN WITHIN DIMENSIONS		APPROVED BY & DATE RWD 02/03/22		MATERIAL NO. SEE CHART		DRAWING NO. SD-19164-017	
		THIS DRAWING CONTAINS INFORMATION THAT IS PROPRIETARY TO MOLEX INCORPORATED AND SHOULD NOT BE USED WITHOUT WRITTEN PERMISSION.		SHEET NO. 1 OF 1		SIZE B			

## X-ON Electronics

Largest Supplier of Electrical and Electronic Components

*Click to view similar products for [Terminals](#) category:*

*Click to view products by [Molex](#) manufacturer:*

Other Similar products are found below :

[00-054007-01074-6](#) [00-054007-70206-1](#) [00-054007-70210-8](#) [00-054007-70217-7](#) [00-054007-70226-9](#) [00-054007-70228-3](#) [00-054007-70248-1](#) [00-054007-70256-6](#) [00-054007-70301-3](#) [00-054007-70316-7](#) [0-0320562-0](#) [00-054007-49560-4](#) [00-054007-70209-2](#) [00-054007-70225-2](#) [00-054007-70227-6](#) [00-054007-70231-3](#) [00-054007-70241-2](#) [00-054007-70242-9](#) [00-054007-70244-3](#) [00-054007-70246-7](#) [00-054007-70263-4](#) [00-054007-70288-7](#) [00-054007-70290-0](#) [00-054007-70300-6](#) [00-054007-70304-4](#) [01-2065-1-0216](#) [01-2900-1-04412](#) [00581P0075](#) [600TS-10](#) [60205-1](#) [604200-1](#) [605601-1](#) [60598-1-CUT-TAPE](#) [61314-6-C](#) [61810-3](#) [61-S](#) [626-0194](#) [62-NBM-A](#) [62-SN](#) [62-SP](#) [640179-1](#) [M55155/059I03](#) [M55155/079C01](#) [M55155/099H02](#) [M55155/109H01](#) [M55155/109H02](#) [M55155/12XH05](#) [M55155/16XH02](#) [M55155/29-5S](#) [M55155/29XJ08](#)