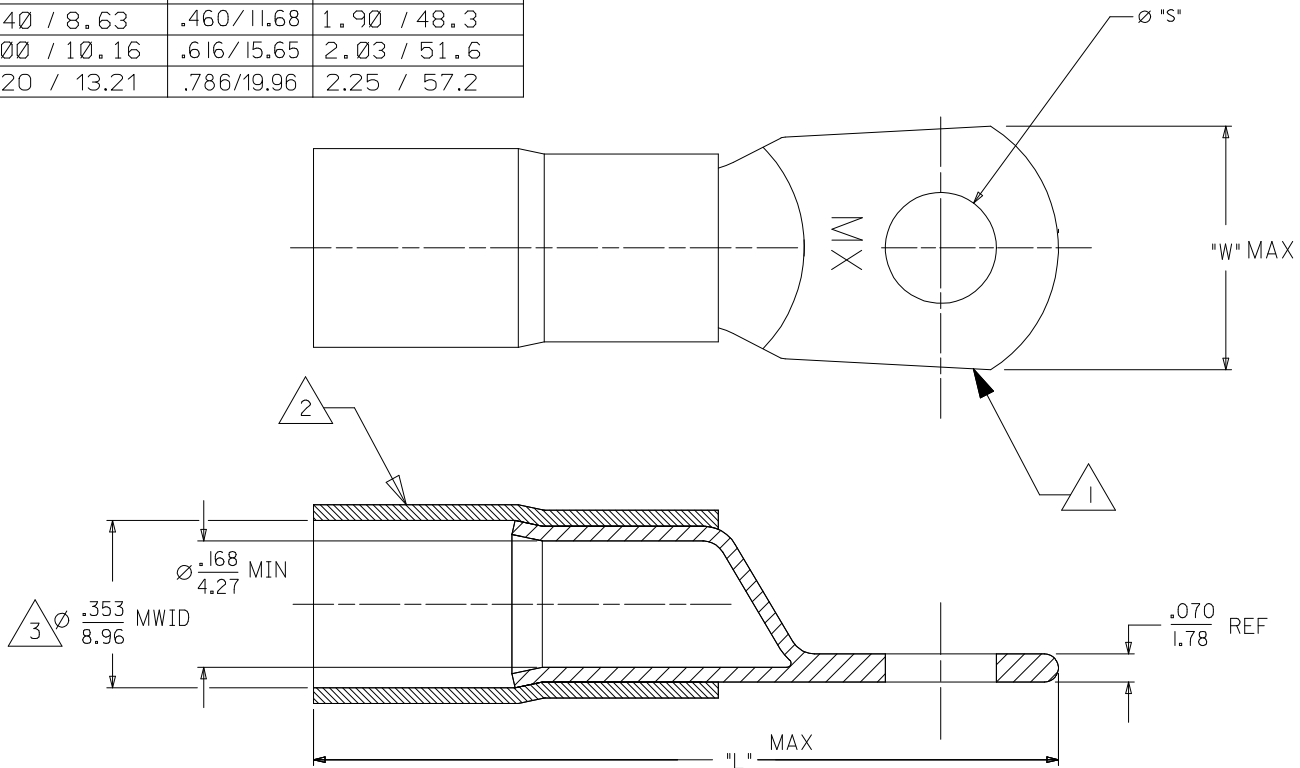


| MATERIAL NUMBER | ENGINEERING NUMBER | STUD SIZE | "S" REF | "W" MAX | "L" MAX |
|-----------------|--------------------|-----------|--------------|------------|-------------|
| 191640840 | SD-810 | #10 | .214 / 5.44 | .460/11.68 | 1.90 / 48.3 |
| 191640884 | SD-814 | 1/4 | .278 / 7.06 | .460/11.68 | 1.90 / 48.3 |
| 191640842 | SD-8516 | 5/16 | .340 / 8.63 | .460/11.68 | 1.90 / 48.3 |
| 191640843 | SD-838 | 3/8 | .400 / 10.16 | .616/15.65 | 2.03 / 51.6 |
| 191641007 | SD-812-XWP-PL | 1/2 | .520 / 13.21 | .786/19.96 | 2.25 / 57.2 |



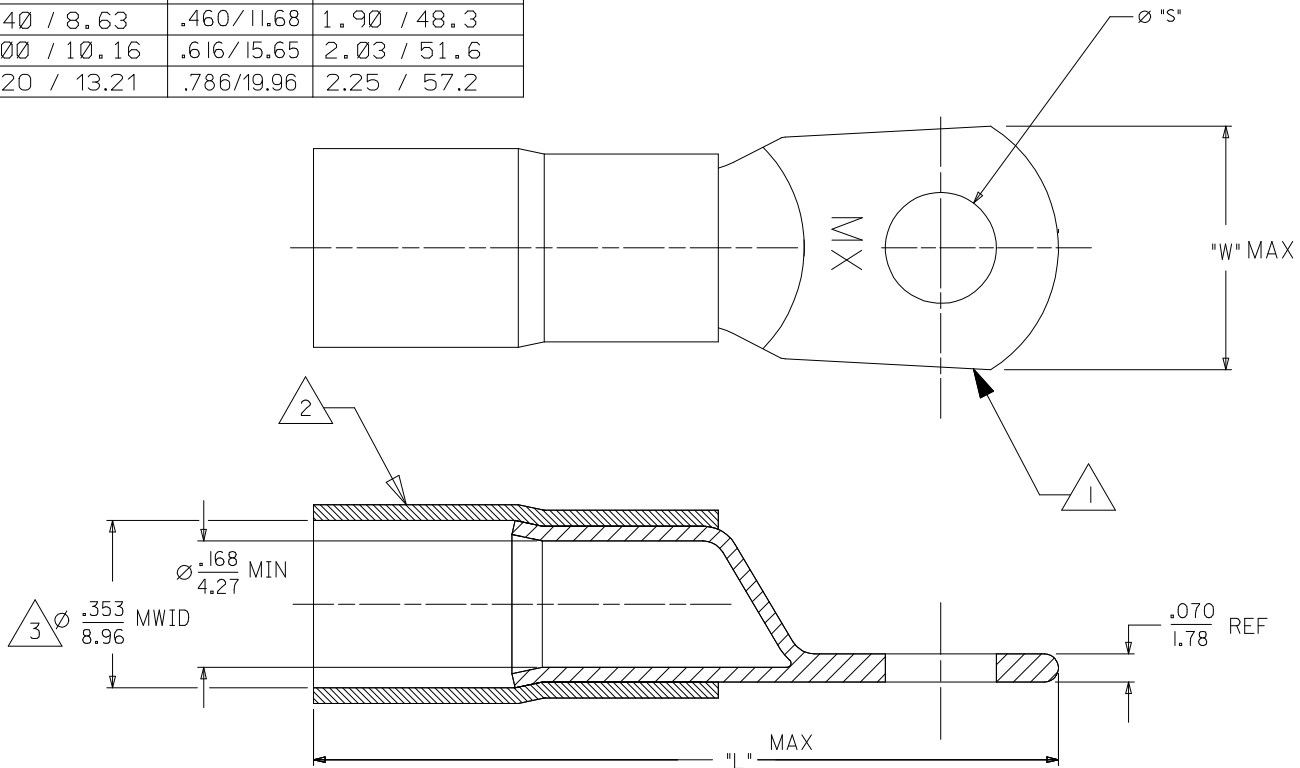
NOTES:

- 1. MATERIAL: TERMINAL: COPPER. PLATING: TIN
- 2. INSULATION: HEAT SHRINKABLE TUBING W/HOT MELT ASHESIVE INNER LINER. COLOR: RED
- 3. MWID = MAXIMUM WIRE INSULATION DIAMETER.
- 4. ASSEMBLY IS ROHS COMPLIANT.

SALES DRAWING

| | | | | | | |
|--|----------------------|--|-----------------|---|--|------------------------|
| DWG TITLE UPDATE EC NO: IPG2017-0325 DRWNG:GROJAS01 2016/09/27 CHKD:JMAGNEIL 2016/09/27 APPR:JMAGNEIL 2016/10/06 | QUALITY SYMBOLS | GENERAL TOLERANCES (UNLESS SPECIFIED) | DIMENSION STYLE | SCALE | DESIGN UNITS | THIRD ANGLE PROJECTION |
| | ▽=0 | mm INCH | IN/MM | --- | INCH | |
| | ▽=0 | 4 PLACES ± --- ± --- | DRAWN BY DATE | BRE 04/02/11 | BATTERY CABLE LUG PERMA-SEAL 8 AWG NIAC (C2) | |
| | | 3 PLACES ± --- ± --- | CHECKED BY DATE | HEB 04/02/11 | MOLEX INCORPORATED | |
| | 2 PLACES ± --- ± --- | APPROVED BY DATE | RWD 04/02/11 | DOCUMENT NO. | SD-19164-066 | SHEET NO. 1 OF 1 |
| | 1 PLACE ± --- ± --- | DRAFT WHERE APPLICABLE MUST REMAIN WITHIN DIMENSIONS | | THIS DRAWING CONTAINS INFORMATION THAT IS PROPRIETARY TO MOLEX INCORPORATED AND SHOULD NOT BE USED WITHOUT WRITTEN PERMISSION | | |

| MATERIAL NUMBER | ENGINEERING NUMBER | STUD SIZE | "S" REF | "W" MAX | "L" MAX |
|-----------------|--------------------|-----------|--------------|------------|-------------|
| 191640840 | SD-810 | #10 | .214 / 5.44 | .460/11.68 | 1.90 / 48.3 |
| 191640884 | SD-814 | 1/4 | .278 / 7.06 | .460/11.68 | 1.90 / 48.3 |
| 191640842 | SD-8516 | 5/16 | .340 / 8.63 | .460/11.68 | 1.90 / 48.3 |
| 191640843 | SD-838 | 3/8 | .400 / 10.16 | .616/15.65 | 2.03 / 51.6 |
| 191641007 | SD-812-XWP-PL | 1/2 | .520 / 13.21 | .786/19.96 | 2.25 / 57.2 |



NOTES:

- 1. MATERIAL: TERMINAL: COPPER. PLATING: TIN
- 2. INSULATION: HEAT SHRINKABLE TUBING W/HOT MELT ASHESIVE INNER LINER. COLOR: RED
- 3. MWID = MAXIMUM WIRE INSULATION DIAMETER.
- 4. ASSEMBLY IS ROHS COMPLIANT.

SALES DRAWING

| | | | | | | |
|--|----------------------|--|---|--------------|--|------------------------|
| DWG TITLE UPDATE EC NO: IPG2017-0325 DRWNG:GROJAS01 2016/09/27 CHKD:JMAGNEIL 2016/09/27 APPR:JMAGNEIL 2016/10/06 | QUALITY SYMBOLS | GENERAL TOLERANCES (UNLESS SPECIFIED) | DIMENSION STYLE | SCALE | DESIGN UNITS | THIRD ANGLE PROJECTION |
| | ▽=0 | mm INCH | IN/MM | --- | INCH | |
| | ▽=0 | 4 PLACES ± --- ± --- | DRAWN BY DATE | BRE 04/02/11 | BATTERY CABLE LUG PERMA-SEAL 8 AWG NIAC (C2) | |
| | | 3 PLACES ± --- ± --- | CHECKED BY DATE | HEB 04/02/11 | MOLEX INCORPORATED | |
| | 2 PLACES ± --- ± --- | APPROVED BY DATE | RWD 04/02/11 | MATERIAL NO. | DOCUMENT NO. | SHEET NO. |
| | 1 PLACE ± --- ± --- | ANGULAR ± ---° | SEE CHART | SD-19164-066 | 1 OF 1 | |
| | | DRAFT WHERE APPLICABLE MUST REMAIN WITHIN DIMENSIONS | THIS DRAWING CONTAINS INFORMATION THAT IS PROPRIETARY TO MOLEX INCORPORATED AND SHOULD NOT BE USED WITHOUT WRITTEN PERMISSION | | | |

X-ON Electronics

Largest Supplier of Electrical and Electronic Components

Click to view similar products for [Terminals](#) category:

Click to view products by [Molex](#) manufacturer:

Other Similar products are found below :

[00-054007-01074-6](#) [00-054007-70206-1](#) [00-054007-70210-8](#) [00-054007-70217-7](#) [00-054007-70226-9](#) [00-054007-70228-3](#) [00-054007-70248-1](#) [00-054007-70256-6](#) [00-054007-70301-3](#) [00-054007-70316-7](#) [0-0320562-0](#) [00-054007-49560-4](#) [00-054007-70209-2](#) [00-054007-70225-2](#) [00-054007-70227-6](#) [00-054007-70231-3](#) [00-054007-70241-2](#) [00-054007-70242-9](#) [00-054007-70244-3](#) [00-054007-70246-7](#) [00-054007-70263-4](#) [00-054007-70288-7](#) [00-054007-70290-0](#) [00-054007-70300-6](#) [00-054007-70304-4](#) [01-2065-1-0216](#) [01-2900-1-04412](#) [00581P0075](#) [600TS-10](#) [60205-1](#) [604200-1](#) [605601-1](#) [60598-1-CUT-TAPE](#) [61314-6-C](#) [61810-3](#) [61-S](#) [61-SN](#) [626-0194](#) [62-NBM-A](#) [62-SN](#) [62-SP](#) [640179-1](#) [M55155/059I03](#) [M55155/079C01](#) [M55155/099H02](#) [M55155/109H01](#) [M55155/109H02](#) [M55155/12XH05](#) [M55155/16XH02](#) [M55155/29-5S](#)