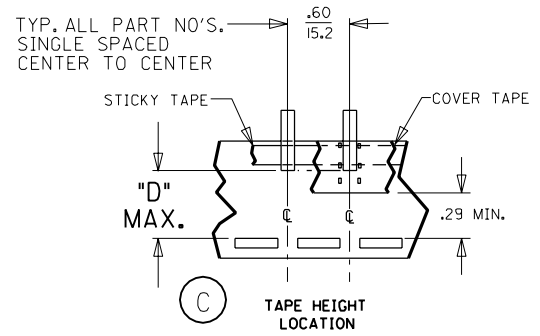
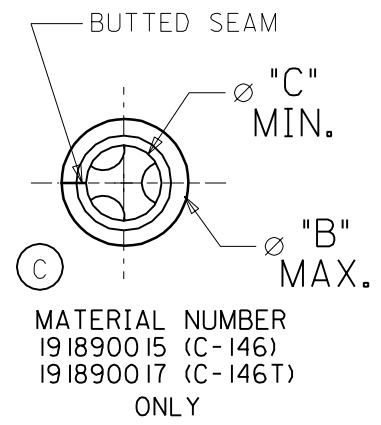
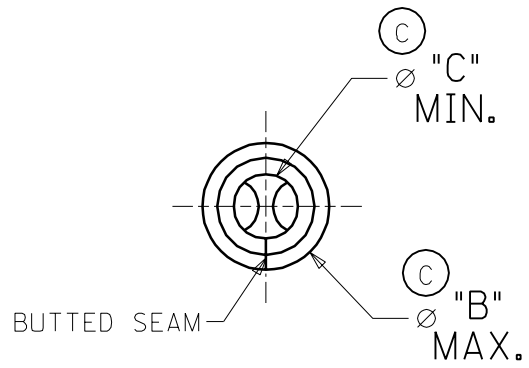
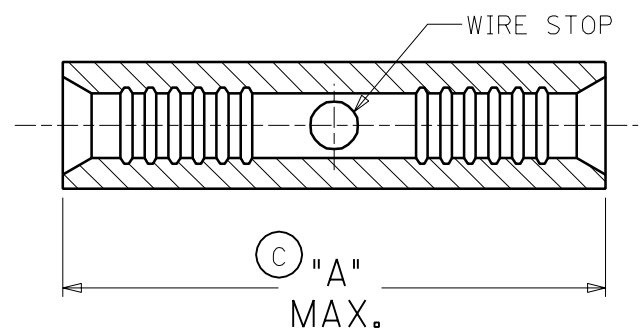


| MATERIAL NO. | ENG. NO. | WIRE AWG MARKING | DESCRIPTION | DIM. "A" | DIM. "B" OD | DIM. "C" ID | DIM. "D" |
|--------------|----------|------------------|--------------|--------------|-------------|-------------|--------------|
| 191890002 | A-145 | 22-18 | LOOSE PIECE | .580 (14.70) | .131 (3.33) | .055 (1.40) | ----- |
| 191890008 | B-131 | 16-14 | LOOSE PIECE | .580 (14.70) | .163 (4.14) | .078 (1.98) | ----- |
| 191890015 | C-146 | 12-10 | LOOSE PIECE | .585 (14.90) | .225 (5.71) | .124 (3.15) | ----- |
| 191890004 | A-145T | 22-18 | TAPE MOUNTED | .580 (14.70) | .131 (3.33) | .055 (1.40) | .610 (15.49) |
| 191890010 | B-131T | 16-14 | TAPE MOUNTED | .580 (14.70) | .163 (4.14) | .078 (1.98) | .655 (16.64) |
| 191890017 | C-146T | 12-10 | TAPE MOUNTED | .585 (14.90) | .225 (5.71) | .124 (3.15) | .655 (16.64) |



(C)



NOTE(S):
 1. MATERIAL: COPPER
 2. PLATING: ELECTRO-TIN

WIRE SIZE: 22-18 AWG.
 0.25-1.3 MM²
 WIRE SIZE: 16-14 AWG.
 1.0-2.6 MM²
 WIRE SIZE: 12-10 AWG.
 4.0-6.0 MM²

| | | | |
|---|-----------------|----------|-------|
| DIM. CHANGES & UPDATES EC NO. ETC2003-0167 DRWN: DLM 03/01/24 CHK: SB 03/01/24 APPR: RWD 03/01/24 | QUALITY SYMBOLS | MAJOR | △ = 0 |
| | | CRITICAL | ▽ = 0 |
| | DESCRIPTION | | |
| | REV | | |

| | | | |
|--|----------|------------------------------------|--|
| GENERAL TOLERANCES: (UNLESS SPECIFIED) | | SCALE | DESIGN UNITS |
| 4 PLACES | ±0.----- | 5:1 | <input type="checkbox"/> mm <input checked="" type="checkbox"/> INCH |
| 3 PLACES | ±0.--- | | |
| 2 PLACES | ±0.--- | | |
| 1 PLACE | ±0.--- | | |
| ANGULAR: ± ° | | DRAWN BY & DATE DLM 03/01/24 | |
| DRAFT WHERE APPLICABLE MUST REMAIN WITHIN DIMENSIONS | | CHECKED BY & DATE SB 03/01/24 | |
| | | APPROVED BY & DATE RWD 03/01/24 | |
| | | CAD FILENAME | MATERIAL NO. |
| | | SD19189008.DGN | (SEE CHART) |

SALES DRAWING

| | | | |
|--|--|---------------------|--------------------|
| DIMENSIONS: | | SHT | REV |
| <input type="checkbox"/> mm | <input checked="" type="checkbox"/> INCH | | |
| <input type="checkbox"/> mm ONLY | | | REVISE ON CAD ONLY |
| TITLE: BUTT CONNECTOR KRIMPTITE 22-18, 16-14, & 12-10 AWG | | | |
| MOLEX INCORPORATED | | | |
| DRAWING NO. SD-19189-008 | | SHEET NO. 1 OF 1 | |
| THIS DRAWING CONTAINS INFORMATION THAT IS PROPRIETARY TO MOLEX INCORPORATED AND SHOULD NOT BE USED WITHOUT WRITTEN PERMISSION. | | | SIZE A |

X-ON Electronics

Largest Supplier of Electrical and Electronic Components

Click to view similar products for [Terminals](#) category:

Click to view products by [Molex](#) manufacturer:

Other Similar products are found below :

[00-054007-01074-6](#) [00-054007-70206-1](#) [00-054007-70210-8](#) [00-054007-70217-7](#) [00-054007-70226-9](#) [00-054007-70228-3](#) [00-054007-70248-1](#) [00-054007-70256-6](#) [00-054007-70301-3](#) [00-054007-70316-7](#) [0-0320562-0](#) [00-054007-49560-4](#) [00-054007-70209-2](#) [00-054007-70225-2](#) [00-054007-70227-6](#) [00-054007-70231-3](#) [00-054007-70241-2](#) [00-054007-70242-9](#) [00-054007-70244-3](#) [00-054007-70246-7](#) [00-054007-70263-4](#) [00-054007-70288-7](#) [00-054007-70290-0](#) [00-054007-70300-6](#) [00-054007-70304-4](#) [01-2065-1-0216](#) [01-2900-1-04412](#) [00581P0075](#) [600TS-10](#) [60205-1](#) [604200-1](#) [605601-1](#) [60598-1-CUT-TAPE](#) [61314-6-C](#) [61810-3](#) [61-S](#) [61-SN](#) [626-0194](#) [62-NBM-A](#) [62-SN](#) [62-SP](#) [640179-1](#) [M55155/059I03](#) [M55155/079C01](#) [M55155/099H02](#) [M55155/109H01](#) [M55155/109H02](#) [M55155/12XH05](#) [M55155/16XH02](#) [M55155/29-5S](#)