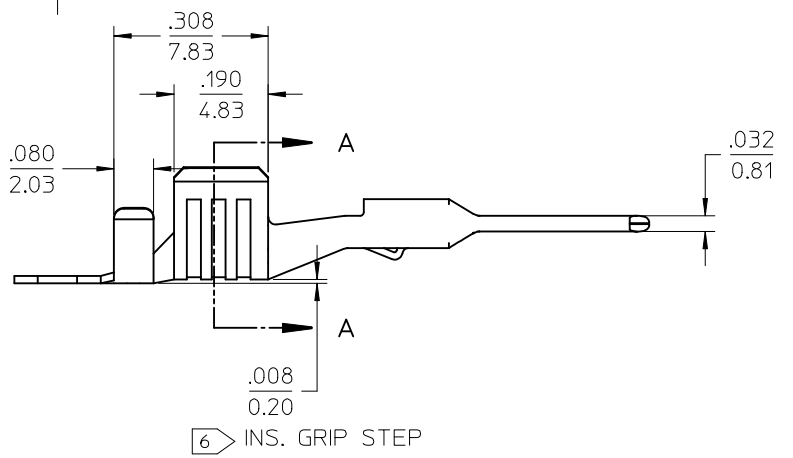
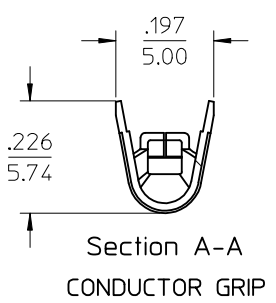
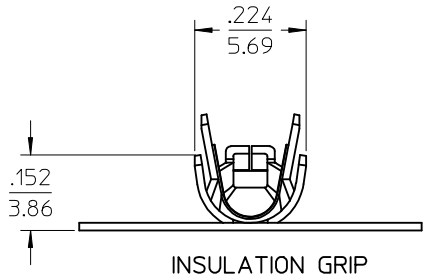
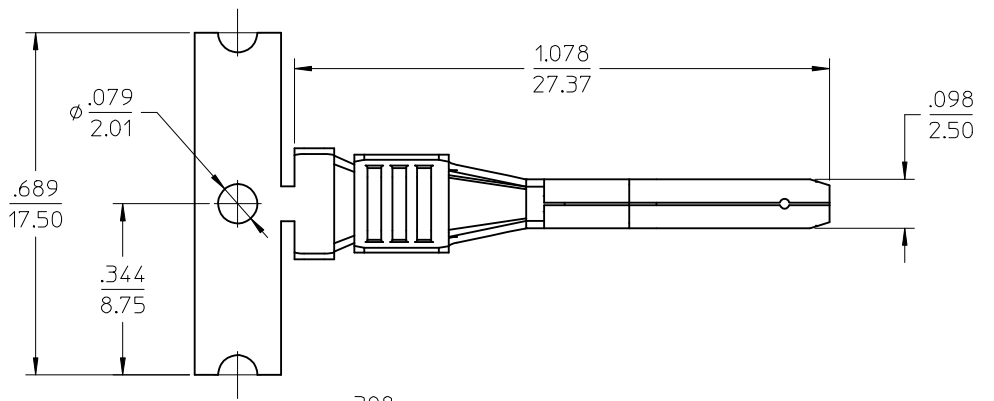
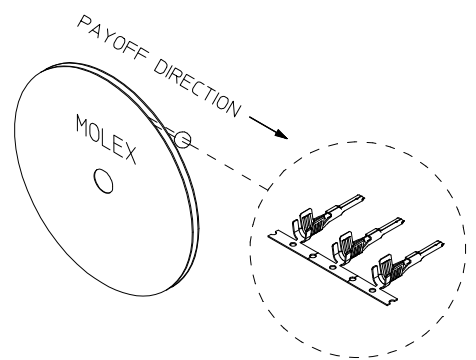
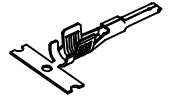


10 9 8 7 6 5 4 3 2 1

STRIP MATERIAL NUMBER	LOOSE PIECE MATERIAL NUMBER	AWG SIZE (MM?)	WIRE INSULATION DIAMETER
194310064	194310065	12AWG TW (3.00MM?)	.122"-.134" (3.10MM-3.40MM)



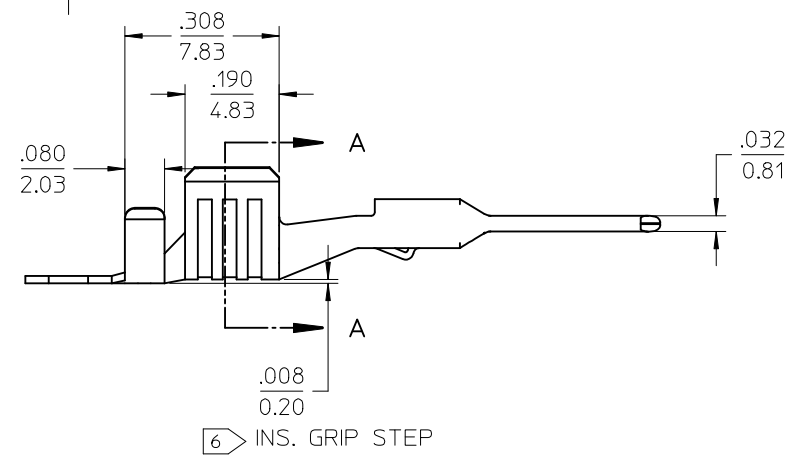
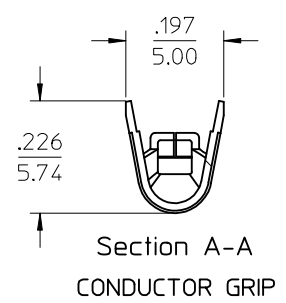
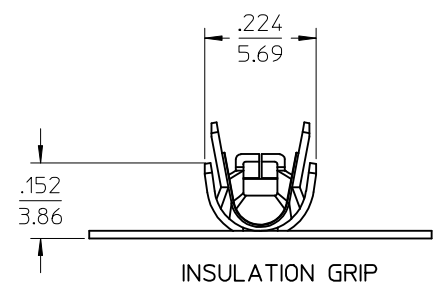
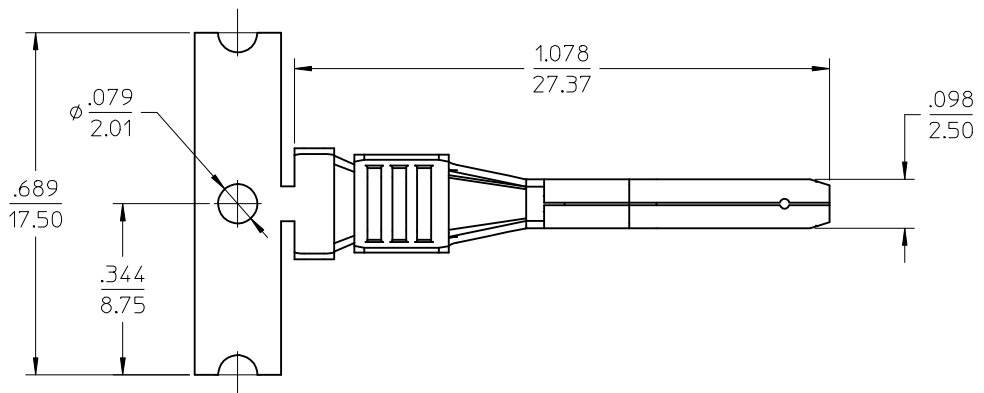
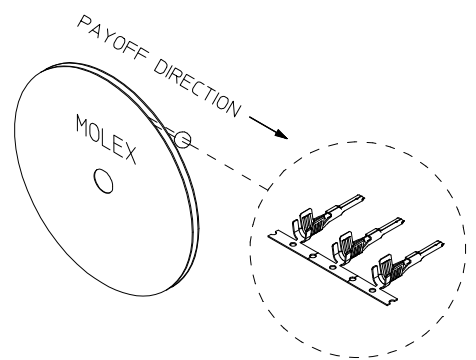
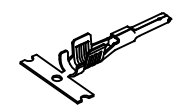
- NOTES:
1. MATERIAL: COPPER ALLOY.
  2. FINISH: PREPLATED AND REFLOWED OVERALL. 100 $\mu$  TIN OVER 50 $\mu$  NICKEL, MINIMUM.
  3. DO NOT USE TERMINALS WITH 19433\*\*\*\*\* PLUG HOUSINGS.
  4. PACKAGING SPECIFICATION: PK-19431-001 FOR LOOSE TERMINALS. STRIP PARTS ARE REELED 2500 TERMINALS PER REEL.
  5. APPLICATION TOOLING AND CRIMP SPECIFICATIONS: CONSULT FACTORY
  - 6 > INSULATION GRIP STEP DIMENSION NOT TO BE ALTERED BY CRIMP PROCESS.
  7. ALL DIMENSIONS ARE REFERENCE.

UPDATE WIRE AWG EC NO: IPG2014-1616 DRAWN: WLEUNG 2014/03/13 CHKD: BRUPERT 2014/03/13 APPR: BWOODMAN 2014/03/30	DESCRIPTION REV B	QUALITY SYMBOLS	GENERAL TOLERANCES (UNLESS SPECIFIED)	DIMENSION STYLE	SCALE	DESIGN UNITS	THIRD ANGLE PROJECTION	
		$\nabla F=0$	mm INCH	IN/MM	4:1	INCH		
		$\nabla E=0$	4 PLACES $\pm$ --- $\pm$ ---	DRAWN BY WLEUNG	DATE 2013/12/12	TITLE	MALE PIN TERMINAL, 12AWG TW (3.0MM/2) THIN WALL INSULATION	
		$\nabla F=0$	3 PLACES $\pm$ --- $\pm$ .010	CHECKED BY BRUPERT	DATE 2013/12/13			
$\nabla E=0$	2 PLACES $\pm$ 0.25 $\pm$ .02	APPROVED BY		DOCUMENT NO. SD-19431-004		SHEET NO. 1 OF 1		
		1 PLACE $\pm$ 0.5 $\pm$ ---	ANGULAR $\pm$ 3°	MATERIAL NO. SEE CHART	THIS DRAWING CONTAINS INFORMATION THAT IS PROPRIETARY TO MOLEX INCORPORATED AND SHOULD NOT BE USED WITHOUT WRITTEN PERMISSION			
		0 PLACE $\pm$ --- $\pm$ ---	DRAFT WHERE APPLICABLE MUST REMAIN WITHIN DIMENSIONS	SIZE B				

9 8 7 6 5 4 3 2 1

10 9 8 7 6 5 4 3 2 1

STRIP MATERIAL NUMBER	LOOSE PIECE MATERIAL NUMBER	AWG SIZE (MM?)	WIRE INSULATION DIAMETER
194310064	194310065	12AWG TW (3.00MM?)	.122"-.134" (3.10MM-3.40MM)



- NOTES:
1. MATERIAL: COPPER ALLOY.
  2. FINISH: PREPLATED AND REFLOWED OVERALL. 100 $\mu$  TIN OVER 50 $\mu$  NICKEL, MINIMUM.
  3. DO NOT USE TERMINALS WITH 19433\*\*\*\* PLUG HOUSINGS.
  4. PACKAGING SPECIFICATION: PK-19431-001 FOR LOOSE TERMINALS. STRIP PARTS ARE REELED 2500 TERMINALS PER REEL.
  5. APPLICATION TOOLING AND CRIMP SPECIFICATIONS: CONSULT FACTORY
  - 6 > INSULATION GRIP STEP DIMENSION NOT TO BE ALTERED BY CRIMP PROCESS.
  7. ALL DIMENSIONS ARE REFERENCE.

UPDATE WIRE AWG EC NO: PG2014-1616 DRAWN: WLEUNG 2014/03/13 CHKD: BRUPERT 2014/03/13 APPR: BWOODMAN 2014/03/30	DESCRIPTION B	QUALITY SYMBOLS	GENERAL TOLERANCES (UNLESS SPECIFIED)	DIMENSION STYLE	SCALE	DESIGN UNITS	THIRD ANGLE PROJECTION
		$\nabla F=0$ $\nabla E=0$ $\nabla F=0$	mm      INCH 4 PLACES $\pm$ --- $\pm$ --- 3 PLACES $\pm$ --- $\pm .010$ 2 PLACES $\pm 0.25$ $\pm .02$ 1 PLACE $\pm 0.5$ $\pm$ --- 0 PLACE $\pm$ --- $\pm$ ---	IN/MM	4:1	INCH	TITLE MALE PIN TERMINAL, 12AWG TW (3.0MM/2) THIN WALL INSULATION
		ANGULAR $\pm 3^\circ$ DRAFT WHERE APPLICABLE MUST REMAIN WITHIN DIMENSIONS	DRAWN BY: WLEUNG DATE: 2013/12/12 CHECKED BY: BRUPERT DATE: 2013/12/13 APPROVED BY:	MATERIAL NO. SEE CHART	DOCUMENT NO. SD-19431-004	SHEET NO. 1 OF 1	
		THIS DRAWING CONTAINS INFORMATION THAT IS PROPRIETARY TO MOLEX INCORPORATED AND SHOULD NOT BE USED WITHOUT WRITTEN PERMISSION					

9 8 7 6 5 4 3 2 1

## X-ON Electronics

Largest Supplier of Electrical and Electronic Components

*Click to view similar products for [Automotive Connectors](#) category:*

*Click to view products by [Molex](#) manufacturer:*

Other Similar products are found below :

[003-018-000](#) [60403001](#) [60993906-B](#) [M902-2131](#) [M902-2161](#) [72.330.1035.1](#) [73.353.4028.0](#) [F119300-B](#) [F166900](#) [F258300-B](#) [F358300-B](#)  
[F407400](#) [F444110](#) [F487000](#) [F509500B-B](#) [827153-1](#) [8N1515-32-24P](#) [9-1326729-8](#) [925474-1](#) [928905-1](#) [964562-4](#) [968782-1](#) [GT17SA-8DS-](#)  
[HU](#) [98891-1012](#) [98947-1016](#) [12004475-L](#) [12010290](#) [12010309-B](#) [12015454](#) [12020219-B](#) [12020308](#) [12041318-B](#) [12052225-L](#) [12052466](#)  
[12059125](#) [12064869](#) [12004327-B](#) [12010503-B](#) [12015308](#) [12015384](#) [12015909](#) [1-21030-1](#) [12041254](#) [12041318](#) [12047946-B](#) [12047957](#)  
[12047957-L](#) [12059473](#) [12066261](#) [12110546](#)