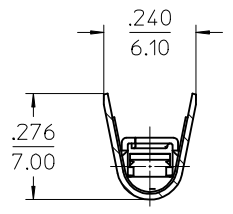
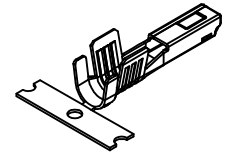
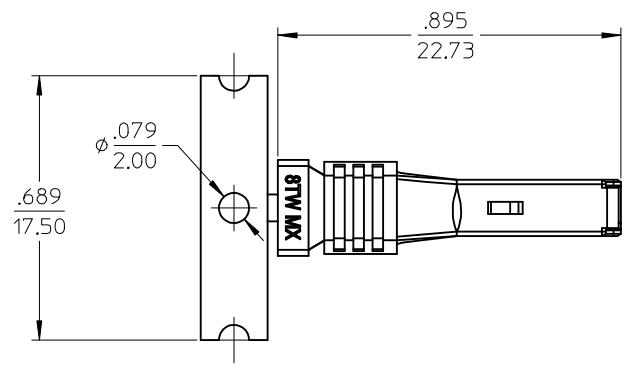
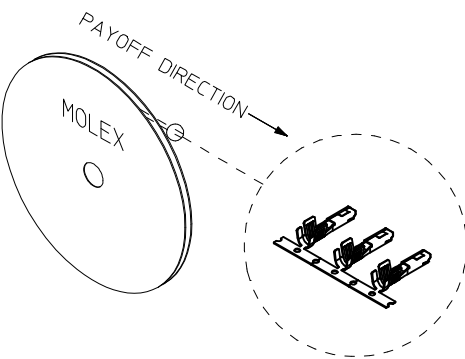
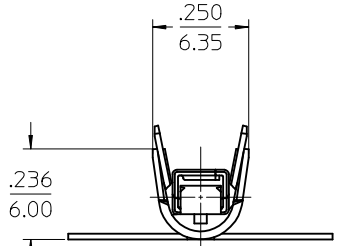


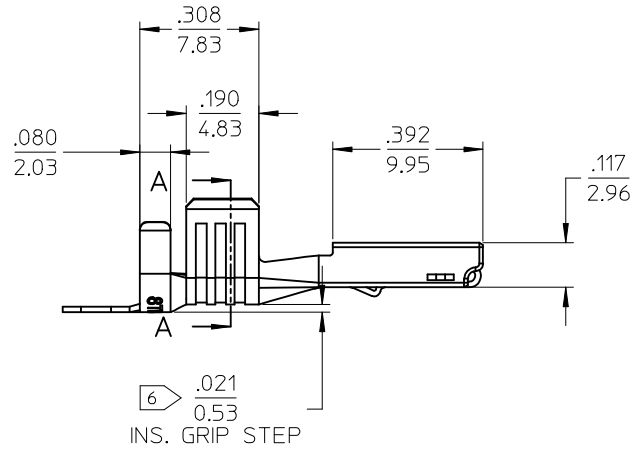
STRIP MATERIAL NUMBER	LOOSE PIECE MATERIAL NUMBER	AWG SIZE	WIRE INSULATION DIAMETER
194340005	194340006	8 TW	.153-.191* (3.90-4.85MM)



SECTION A-A
CONDUCTOR GRIP



INSULATION GRIP



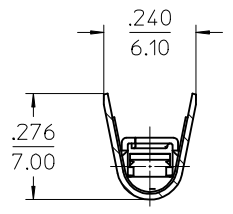
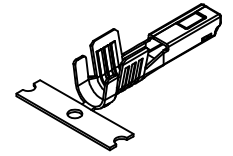
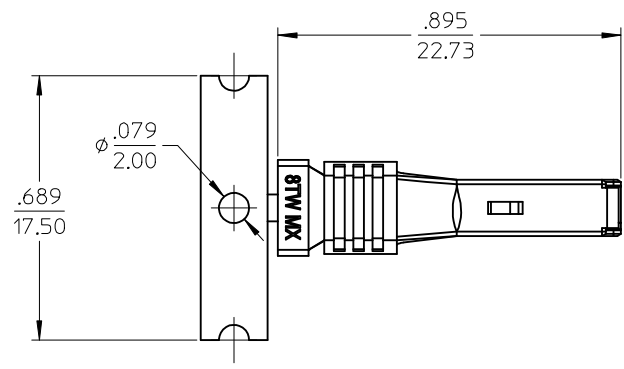
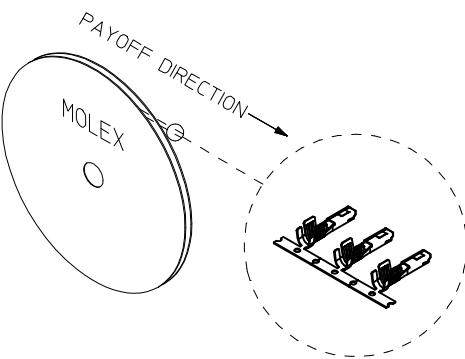
- NOTES:
1. MATERIAL: COPPER ALLOY.
 2. FINISH: PREPLATED AND REFLOWED OVERALL. 100μ TIN OVER 50μ NICKEL, MINIMUM.
 3. TERMINALS NOT FOR USE WITH 19432**** RECEPTACLE HOUSINGS.
 4. PACKAGING SPECIFICATION: PK-19434-001 FOR LOOSE TERMINALS. STRIP PARTS ARE REELED 2000 TERMINALS PER REEL. (B)
 5. APPLICATION TOOLING AND CRIMP SPECIFICATIONS: CONSULT FACTORY
 - 6 INSULATION GRIP STEP DIMENSION NOT TO BE ALTERED BY CRIMP PROCESS.
 7. ALL DIMENSIONS ARE REFERENCE.

CHG REEL QTY FROM 2500	EC NO: IPG2015-0205	2014/07/31	DRW:WLEUNG
		2014/07/31	CHKD:WLOJEG
		2014/08/12	APPR:BWODMAN
REV	DESCRIPTION		

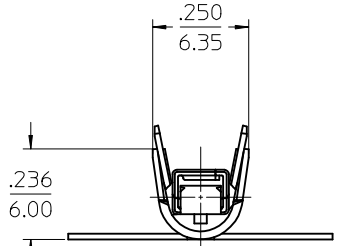
QUALITY SYMBOLS	GENERAL TOLERANCES (UNLESS SPECIFIED)
▽=0	mm INCH
▽=0	4 PLACES ± --- ± ---
	3 PLACES ± --- ± 0.10
	2 PLACES ± 0.25 ± .02
	1 PLACE ± 0.5 ± ---
	0 PLACE ± --- ± ---
	ANGULAR ± 3 °
	DRAFT WHERE APPLICABLE MUST REMAIN WITHIN DIMENSIONS

DIMENSION STYLE		SCALE	DESIGN UNITS	THIRD ANGLE PROJECTION
IN/MM		4:1	INCH	
DRAWN BY	DATE	TITLE		
WLEUNG	2012/11/26	MX150L FEMALE TERMINAL		
CHECKED BY	DATE	8AWG TW		
BRUPERT	2013/09/06	(THIN WALL INSULATION)		
APPROVED BY	DATE	molex		
JFMURPHY	2013/12/26			
MATERIAL NO.	DOCUMENT NO.	SHEET NO.		
SEE CHART	SD-19434-002	1 OF 1		
SIZE C	THIS DRAWING CONTAINS INFORMATION THAT IS PROPRIETARY TO MOLEX INCORPORATED AND SHOULD NOT BE USED WITHOUT WRITTEN PERMISSION			

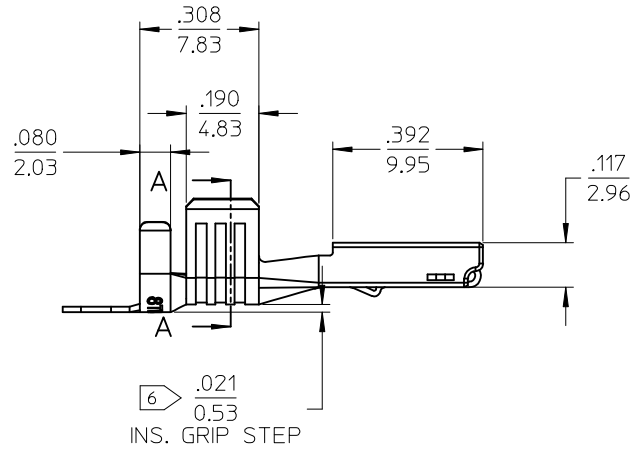
STRIP MATERIAL NUMBER	LOOSE PIECE MATERIAL NUMBER	AWG SIZE	WIRE INSULATION DIAMETER
194340005	194340006	8 TW	.153-.191* (3.90-4.85MM)



SECTION A-A
CONDUCTOR GRIP



INSULATION GRIP



- NOTES:
- MATERIAL: COPPER ALLOY.
 - FINISH: PREPLATED AND REFLOWED OVERALL. 100μ TIN OVER 50μ NICKEL, MINIMUM.
 - TERMINALS NOT FOR USE WITH 19432**** RECEPTACLE HOUSINGS.
 - PACKAGING SPECIFICATION: PK-19434-001 FOR LOOSE TERMINALS. STRIP PARTS ARE REELED 2000 TERMINALS PER REEL. (B)
 - APPLICATION TOOLING AND CRIMP SPECIFICATIONS: CONSULT FACTORY
 - INSULATION GRIP STEP DIMENSION NOT TO BE ALTERED BY CRIMP PROCESS.
 - ALL DIMENSIONS ARE REFERENCE.

CHG REEL QTY FROM 2500 EC NO: IPG2015-0205 DRAWN/LEUNG 2014/07/31 CHKD:WOLDEGE 2014/07/31 APPR:BMWOODMAN 2014/08/12	QUALITY SYMBOLS	GENERAL TOLERANCES (UNLESS SPECIFIED)	DIMENSION STYLE	SCALE	DESIGN UNITS	THIRD ANGLE PROJECTION
	▽=0 ▽=0	mm INCH	IN/MM	4:1	INCH	
REV: B	DESCRIPTION	4 PLACES ± .005 ± .005	DRAWN BY DATE	TITLE	DOCUMENT NO.	SHEET NO.
		3 PLACES ± .005 ± 0.10	WLEUNG 2012/11/26			
		2 PLACES ± 0.25 ± .02	CHECKED BY DATE	THIS DRAWING CONTAINS INFORMATION THAT IS PROPRIETARY TO MOLEX INCORPORATED AND SHOULD NOT BE USED WITHOUT WRITTEN PERMISSION		
		1 PLACE ± 0.5 ± .005	BRUPERT 2013/09/06			
		0 PLACE ± .005 ± .005	APPROVED BY DATE	SEE CHART SD-19434-002		
			JFMURPHY 2013/12/26			
		ANGULAR ± 3°	MATERIAL NO.	SD-19434-002		
		DRAFT WHERE APPLICABLE MUST REMAIN WITHIN DIMENSIONS	SIZE C			

X-ON Electronics

Largest Supplier of Electrical and Electronic Components

Click to view similar products for [Automotive Connectors](#) category:

Click to view products by [MOLEX](#) manufacturer:

Other Similar products are found below :

[003-018-000](#) [600858](#) [60403001](#) [60993906-B](#) [60993913-B](#) [629515004020001](#) [M902-2131](#) [M902-2161](#) [M902-2344](#) [72.330.1035.1](#)
[73.353.4028.0](#) [F118010](#) [F119300-B](#) [F132210](#) [F132210-B](#) [F166900](#) [F180100](#) [F258300](#) [F258300-B](#) [F294300-B](#) [F339100](#) [F339700](#) [F358300-](#)
[B](#) [F374110](#) [F407400](#) [F412210](#) [F427600](#) [F444110](#) [F487000](#) [F495100-B](#) [F500900-B](#) [F509500B-B](#) [770444-1](#) [776880-1](#) [827153-1](#) [881735-1](#)
[8N1515-32-24P](#) [9-1326729-8](#) [925467-1](#) [925474-1](#) [928905-1](#) [936398-2](#) [964562-1](#) [964562-4](#) [964731-2](#) [965051-1](#) [968782-1](#) [GT17SA-8DS-](#)
[HU](#) [GT17VS-10DP-5.2CF](#) [98315-0001](#)