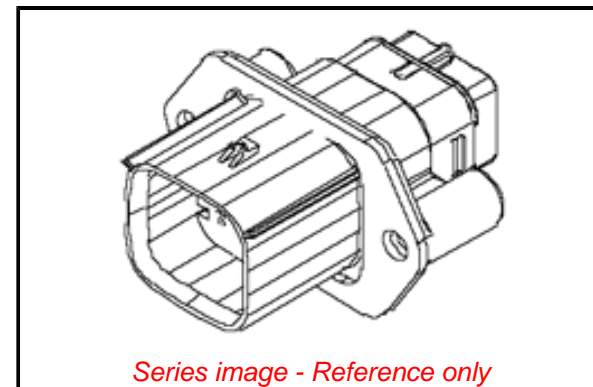


PLEASE CHECK WWW.MOLEX.COM FOR LATEST PART INFORMATION

Part Number: [0194350811](#)
Status: **Active**
Overview: [MX150L Industrial Sealed Connector System](#)
Description: [MX150L 8 Circuit Rear Mounted Flange Plugs for 14-16 AWG Wire, with Gasket, Black](#)

Documents:

3D Model	Packaging Specification PK-19435-001-001 (PDF)
Drawing (PDF)	Brochure (PDF)
3D Model (PDF)	RoHS Certificate of Compliance (PDF)
Product Specification PS-19417-001-001 (PDF)	



Series image - Reference only

General

Product Family	Crimp Housings
Series	19435
Application	Power, Wire-to-Wire
Comments	Mat Seal Color is Blue. IP67 rated; conforms to UL 1977. NOT suitable for automotive applications with requirements such as USCAR-2, USCAR-25, GMW3191, AK Testing, J2030, Volvo Technology Requirements, and Toyota Connector Spec (TCS)
Overview	MX150L Industrial Sealed Connector System
Product Name	MX150L
UPC	822350301046

Physical

Circuits (maximum)	8
Color - Resin	Black
Gender	Plug
Glow-Wire Capable	No
Lock to Mating Part	Yes
Net Weight	23.990/g
Number of Rows	2
Packaging Type	Bag
Panel Mount	Yes
Pitch - Mating Interface	5.84mm
Polarized to Mating Part	Yes
Stackable	No
Temperature Range - Operating	-40° to +125°C

Electrical

Current - Maximum per Contact	18.0A
-------------------------------	-------

Material Info

Reference - Drawing Numbers

Packaging Specification	PK-19435-001-001
Product Specification	PS-19417-001-001
Sales Drawing	SD-19435-008-001

EU ELV

Not Relevant

EU RoHS

Compliant

REACH SVHC

Not Contained Per -
D(2021)4569-DC (8
July 2021)

Halogen-Free

Status

Low-Halogen

For more information, please visit [Contact US](#)

China ROHS

ELV

RoHS Phthalates

China RoHS

Green Image

Not Relevant

Not Contained

Search Parts in this Series

[19435 Series](#)

Mates With

[19418 Receptacle Assemblies](#)

Use With

[19417 Male Crimp Terminals](#)

X-ON Electronics

Largest Supplier of Electrical and Electronic Components

Click to view similar products for [Automotive Connectors](#) category:

Click to view products by [Molex](#) manufacturer:

Other Similar products are found below :

[003-018-000](#) [60403001](#) [60993906-B](#) [M902-2131](#) [M902-2161](#) [72.330.1035.1](#) [73.353.4028.0](#) [F119300-B](#) [F166900](#) [F258300-B](#) [F358300-B](#)
[F407400](#) [F444110](#) [F487000](#) [F509500B-B](#) [827153-1](#) [8N1515-32-24P](#) [9-1326729-8](#) [925474-1](#) [928905-1](#) [964562-4](#) [968782-1](#) [GT17SA-8DS-](#)
[HU](#) [98891-1012](#) [98947-1016](#) [12004475-L](#) [12010290](#) [12010309-B](#) [12015454](#) [12020219-B](#) [12020308](#) [12041318-B](#) [12052225-L](#) [12052466](#)
[12059125](#) [12064869](#) [12004327-B](#) [12010503-B](#) [12015308](#) [12015384](#) [12015909](#) [1-21030-1](#) [12041254](#) [12041318](#) [12047946-B](#) [12047957](#)
[12047957-L](#) [12059473](#) [12066261](#) [12110546](#)