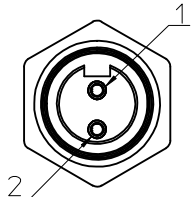
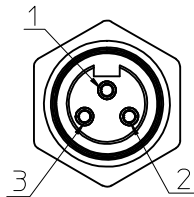


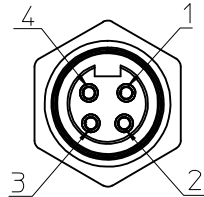
# FACE VIEW - FEMALE INSERT SCALE 2 : 1



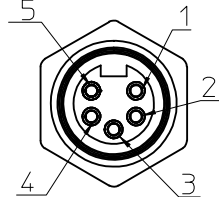
1 WHITE  
2 BLACK



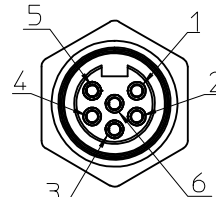
1 GREEN/YELLOW  
2 BLACK  
3 WHITE



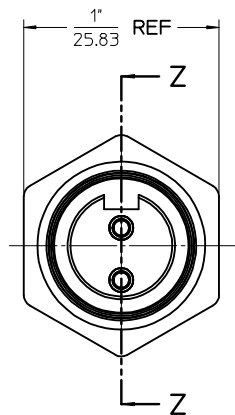
1 BLACK  
2 WHITE  
3 RED  
4 GREEN/YELLOW



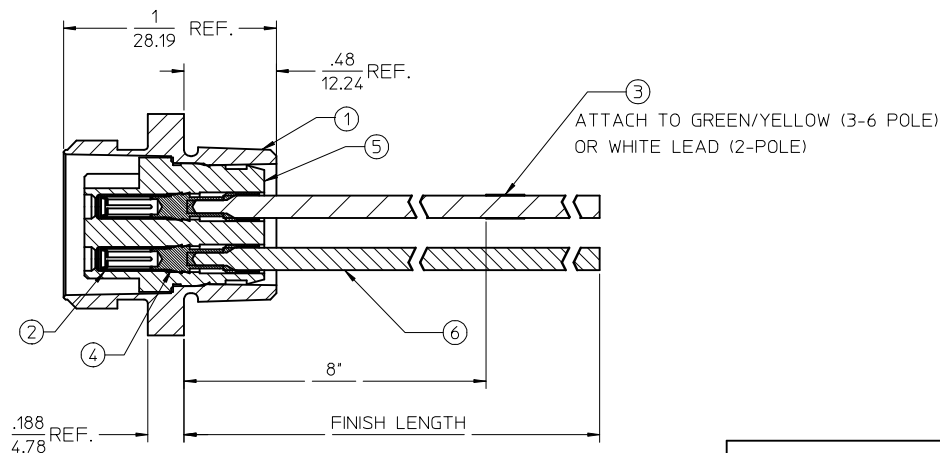
1 WHITE  
2 RED  
3 GREEN/YELLOW  
4 ORANGE  
5 BLACK



1 WHITE  
2 RED  
3 GREEN/YELLOW  
4 ORANGE  
5 BLACK  
6 BLUE



FEMALE INSERT - FRONT VIEW



ATTACH TO GREEN/YELLOW (3-6 POLE)  
OR WHITE LEAD (2-POLE)

FINAL ASSEMBLY  
1300130060 (SHOWN)

<b>ENTER DESCRIPTION</b> EC NO: MNA2010-0057 DRAWN BY: NKUMAR01 2009/07/13 CHKD: JFMURPHY APPR: JFMURPHY 2009/08/10 REV: A	<b>DESCRIPTION</b> DESCRIPTION	<b>QUALITY SYMBOLS</b> ▽=0 ▽=0	GENERAL TOLERANCES (UNLESS SPECIFIED)		DIMENSION STYLE <b>SECTYON Z-Z</b>	SCALE 2:1	DESIGN UNITS INCH	THIRD ANGLE PROJECTION			
			4 PLACES ± --- ± --- 3 PLACES ± --- ± --- 2 PLACES ± --- ± --- 1 PLACE ± --- ± ---	mm    INCH	DRAWN BY: NKUMAR01    DATE: 31/07/09 CHECKED BY: BWOODMAN    DATE: 31/07/09 APPROVED BY: JFMURPHY    DATE: 31/07/09		TITLE <b>MC 2P FR 12IN 16/1 PVC</b>				
			ANGULAR ±1/2°			MATERIAL NO. <b>SEE SHEET 2</b>		MOLEX INCORPORATED			
			DRAFT WHERE APPLICABLE MUST REMAIN WITHIN DIMENSIONS			DOCUMENT NO. <b>SD-130013-060</b>		SHEET NO. 1 OF 2			

FEMALE RECEPTACLE ASSEMBLY

2 POLE	3 POLE	4 POLE	5 POLE	6 POLE
--------	--------	--------	--------	--------

Sl. No.	DESCRIPTION	MATERIAL	FINISH	QUANTITY				
1	RECEPTACLE SHELL	ZINC DIECAST	BLACK E-COAT	1	1	1	1	1
2	SOCKET SLEEVE - TUBE	STAINLESS STEEL	PASSIVATED	2	3	4	5	6
3	LABEL	PLASTIC FILM	BLACK/YELLOW	1	1	1	1	1
4	SOCKET CONTACT 16AWG	COPPER ALLOY	GOLD PLATED	2	3	4	5	6
5	2P FEM INSERT PVC A-SIZE	PVC	YELLOW	1				
	3P FEM INSERT PVC A-SIZE	PVC	YELLOW		1			
	4P FEM INSERT PVC A-SIZE	PVC	YELLOW			1		
	5P FEM INSERT PVC A-SIZE	PVC	YELLOW				1	
6	#16-1 BLK PVC WIRE UL1015	PVC JACKET	BLACK	1	1	1	1	1
	#16-1 BLU PVC WIRE UL1015	PVC JACKET	BLUE					1
	#16-1 GRN/YEL PVC WIRE UL1015	PVC JACKET	GREEN/YELLOW		1	1	1	1
	#16-1 ORN PVC WIRE UL1015	PVC JACKET	ORANGE				1	1
	#16-1 RED PVC WIRE UL1015	PVC JACKET	RED			1	1	1
	#16-1 WHT PVC WIRE UL1015	PVC JACKET	WHITE		1	1	1	1

POLE COUNT	MAX. VOLTAGE RATING	MAX. CURRENT RATING
2 POLE	600 VOLTS	13 AMPS
3 POLE	600 VOLTS	13 AMPS
4 POLE	600 VOLTS	10 AMPS
5 POLE	600 VOLTS	8 AMPS
6 POLE	600 VOLTS	8 AMPS

PART NUMBER	DESCRIPTION	FINISHED LENGTH
1300130060	1R2004A20A120	12.0" +.75" -0 [0.3M +19.1MM -0]
1300130067	1R2004A20F060	6.0' +2.19' -0 [1.8M +55.6MM -0]
1300130135	1R3004A20A120	12.0" +.75" -0 [0.3M +19.1MM -0]
1300130148	1R3004A20F060	6.0' +2.19' -0 [1.8M +55.6MM -0]
1300130314	1R4004A20A120	12.0" +.75" -0 [0.3M +19.1MM -0]
1300130325	1R4004A20F060	6.0' +2.19' -0 [1.8M +55.6MM -0]
1300130442	1R5004A20A120	12.0" +.75" -0 [0.3M +19.1MM -0]
1300130452	1R5004A20F060	6.0' +2.19' -0 [1.8M +55.6MM -0]
1300130567	1R6004A20A120	12.0" +.75" -0 [0.3M +19.1MM -0]
1300130576	1R6004A20F060	6.0' +2.19' -0 [1.8M +55.6MM -0]

ENTER DESCRIPTION EC NO: MNA2010-0057 DRAWN BY: DRWINAKUMAR01 2009/07/31 CHKD: APPR: JFMURPHY 2009/08/10 REV: A	QUALITY SYMBOLS 	GENERAL TOLERANCES (UNLESS SPECIFIED)	DIMENSION STYLE <b>IN/MM</b>	SCALE <b>2:1</b>	DESIGN UNITS <b>INCH</b>	THIRD ANGLE PROJECTION 	
		4 PLACES ± --- ± --- 3 PLACES ± --- ± --- 2 PLACES ± --- ± --- 1 PLACE ± --- ± ---	DRAWN BY: NKUMAR01 DATE: 31/07/09 CHECKED BY: BWOODMAN DATE: 31/07/09 APPROVED BY: JFMURPHY DATE: 31/07/09	MC 2P FR 12IN 16/1 PVC			
		ANGULAR ±1/2°		MATERIAL NO. <b>SEE CHART</b> DOCUMENT NO. <b>SD-130013-060</b>			SHEET NO. 2 OF 2
		DRAFT WHERE APPLICABLE MUST REMAIN WITHIN DIMENSIONS			THIS DRAWING CONTAINS INFORMATION THAT IS PROPRIETARY TO MOLEX INCORPORATED AND SHOULD NOT BE USED WITHOUT WRITTEN PERMISSION		

6

5

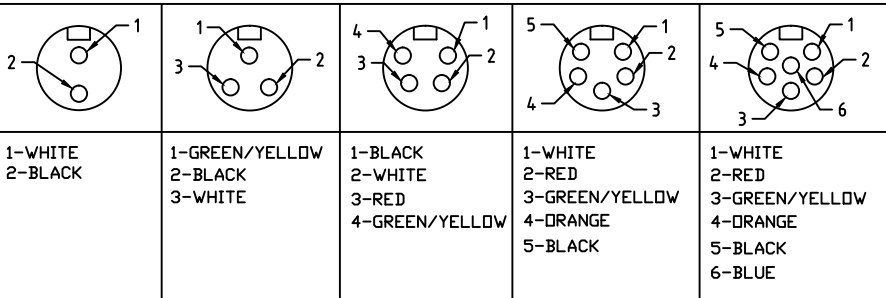
4

3

2

1

## FACE VIEW-FEMALE INSERT



## NOTES:

- MATERIAL: SEE TABLE
- FINISH: SEE TABLE
- ELECTRICAL:  
VOLTAGE: 2P THRU 6P 600V PER UL 2238  
3P 500V PER IEC60664  
4P 483V PER IEC60664  
5 & 6P 400V PER IEC60664

- CURRENT: 2P & 3P: 13A  
4P: 10A  
5P & 6P: 8A

- TEMP RATING: -20°TO +105°C
- PROTECTION: IP67 (WHEN MATED)
- UL RECOGNIZED, FILE E152210
- ALL DIMS ARE FOR REFERENCE UNLESS NOTED OTHERWISE

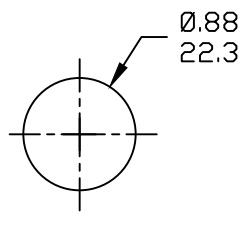
(A1)

## CABLE LENGTH TOLERANCES

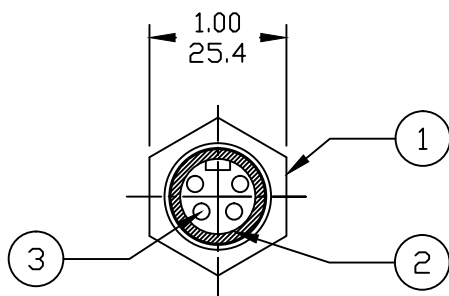
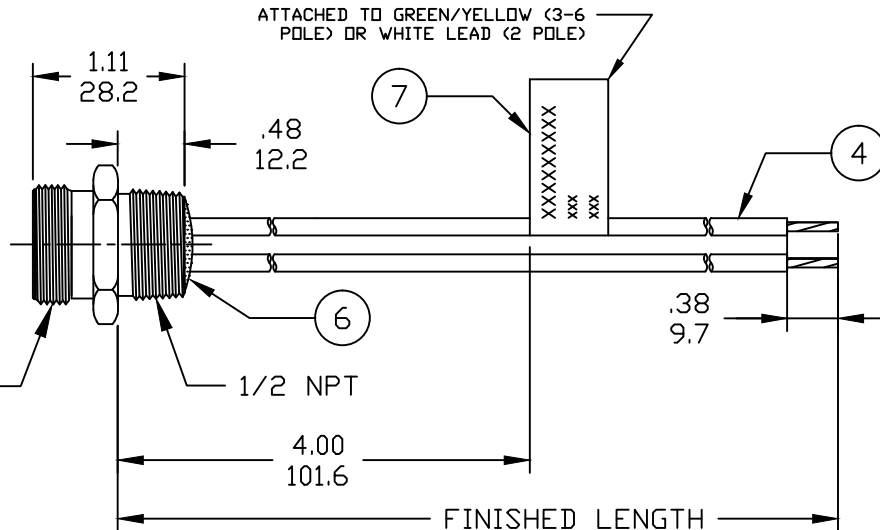
- >.3M [1FT]: +19mm-0 [ +.75in-0]  
.3 - .9M [1 - 3FT]: +44.5mm-0 [+1.75in-0]  
.9 - 1.8M [3 - 6FT]: +55.6mm-0 [+2.19in-0]  
1.8 - 3.7M [6 - 12FT]: +88.9mm-0 [+3.50in-0]  
3.7 - 7.3M [12 - 24FT]: +165.1mm-0 [+6.50in-0]  
7.3-14.6M [24 - 48FT]: +317.5mm-0 [+12.50in-0]  
14.6 - 30.5M [48-100FT]: +622.3mm-0 [+24.50in-0]  
OVER 30M [100FT] +2% OF FINISHED LENGTH

CHART (A1)

PART NO.	ENGINEERING NO.	FINISHED LENGTH
1300130582	1R6004A20F120	12IN
1300131164	1R5004A20M010	1.0M
1300130328	1R4004A20F080	8.0FT



REF. KNOCKOUT HOLE

7/8-16  
THREADATTACHED TO GREEN/YELLOW (3-6  
POLE) OR WHITE LEAD (2 POLE)

D

C

B

## PART NUMBER LEGEND

1R3004A20F020

POLES 2-6      FINISHED LENGTH:  
A120= 12 IN.  
F020= 2 FEET  
F100= 10 FEET

M005= 0.5 METER  
M010= 1 METER  
M100= 10 METER

## TABLE

ITEM	DESCRIPTION	MATERIAL	FINISH
6	FLAG LABEL	VINYL	BLACK/YELLOW
5	POTTING MATERIAL	EPDXY	
4	WIRE, 16 AWG UL (1015)	PVC INSULATION	SEE CHART
3	CONTACT SOCKET	COPPER ALLOY	GOLD PLATED
2	FEMALE INSERT	PVC	YELLOW
1	RECEPTACLE SHELL	ZINC DIE-CAST	BLACK

REV'D EC/VOLTS, ADD UL FILE, CHART & TOOLS  
EC NO: IFC2017-1018  
DRWN: RSTONE 5/1/17  
CHKD: M ZIELIN 2017/05/08  
APPR: BWOODMAN

QUALITY SYMBOLS  
=0  
C=0

GENERAL TOLERANCES  
(UNLESS SPECIFIED)

	mm	INCH
4 PLACES	±---	±---
3 PLACES	±---	±---
2 PLACES	±---	±---
1 PLACE	±---	±---

ANGULAR ±1/2°

DRAFT WHERE APPLICABLE  
MUST REMAIN  
WITHIN DIMENSIONSDIMENSION STYLE  
INCH/MM

DRAWN BY	DATE
RSTONE	2016/12/05
CHECKED BY	DATE
M ZIELIN	2016/12/12
APPROVED BY	DATE
---	---

MATERIAL NO. --

SIZE A

THIS DRAWING CONTAINS INFORMATION THAT IS PROPRIETARY TO MOLEX INCORPORATED AND SHOULD NOT BE USED WITHOUT WRITTEN PERMISSION

SCALE ---

DESIGN UNITS  
INCHTHIRD ANGLE  
PROJECTION

TITLE  
MINI-CHANGE RECEPTACLE  
2-6P FEMALE  
#16-1 PVC WIRES

MOLEX MOLEX INCORPORATED

DOCUMENT NO. SD-130013-121

SHEET NO. 1 OF 1

6

5

4

3

2

1

A

A

6

5

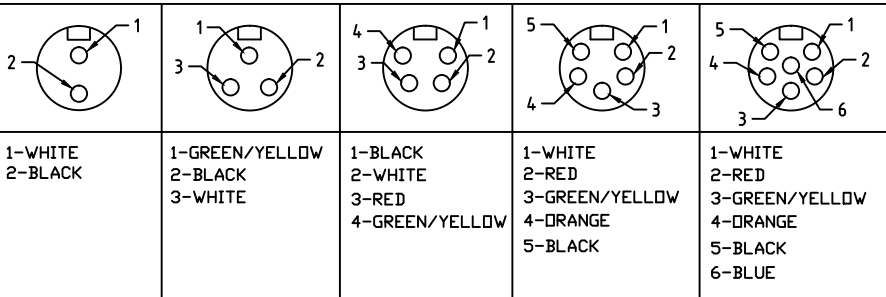
4

3

2

1

## FACE VIEW-FEMALE INSERT



## NOTES:

- MATERIAL: SEE TABLE
- FINISH: SEE TABLE
- ELECTRICAL:  
VOLTAGE: 2P THRU 6P 600V PER UL 2238  
3P 500V PER IEC60664  
4P 483V PER IEC60664  
5 & 6P 400V PER IEC60664

- CURRENT: 2P & 3P: 13A  
4P: 10A  
5P & 6P: 8A

- TEMP RATING: -20°TO +105°C
- PROTECTION: IP67 (WHEN MATED)
- UL RECOGNIZED, FILE E152210
- ALL DIMS ARE FOR REFERENCE UNLESS NOTED OTHERWISE

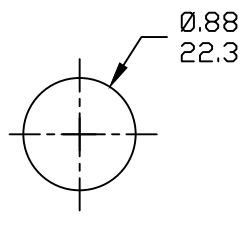
(A1)

## CABLE LENGTH TOLERANCES

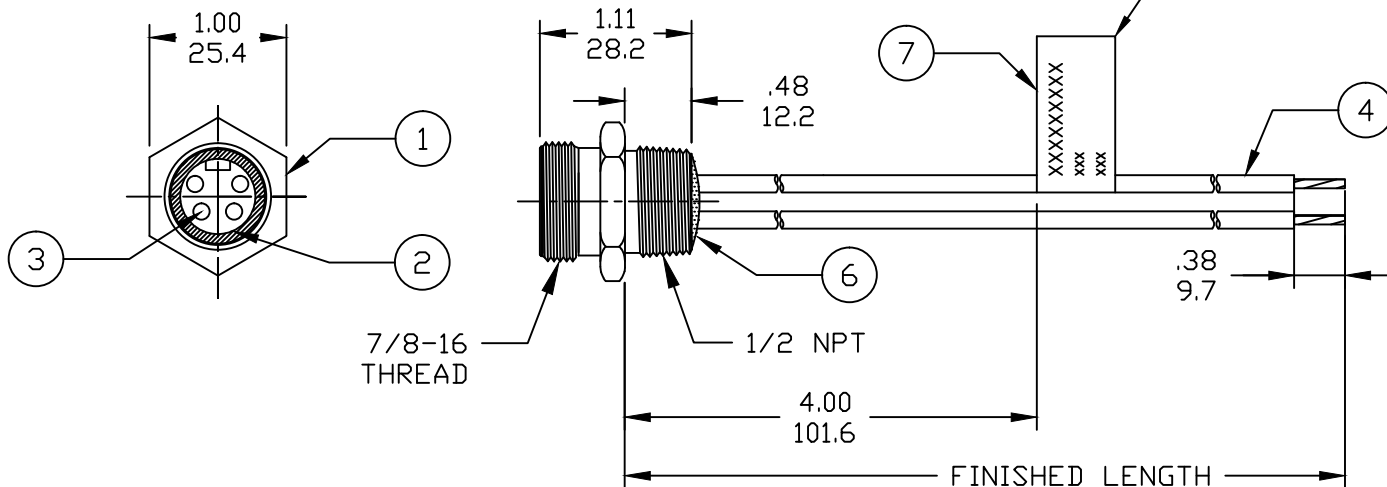
- >.3M [1FT]: +19mm-0 [ +.75in-0]  
.3 - .9M [1 - 3FT]: +44.5mm-0 [+1.75in-0]  
.9 - 1.8M [3 - 6FT]: +55.6mm-0 [+2.19in-0]  
1.8 - 3.7M [6 - 12FT]: +88.9mm-0 [+3.50in-0]  
3.7 - 7.3M [12 - 24FT]: +165.1mm-0 [+6.50in-0]  
7.3-14.6M [24 - 48FT]: +317.5mm-0 [+12.50in-0]  
14.6 - 30.5M [48-100FT]: +622.3mm-0 [+24.50in-0]  
OVER 30M [100FT] +2% OF FINISHED LENGTH

CHART (A1)

PART NO.	ENGINEERING NO.	FINISHED LENGTH
1300130582	1R6004A20F120	12IN
1300131164	1R5004A20M010	1.0M
1300130328	1R4004A20F080	8.0FT



REF. KNOCKOUT HOLE



## PART NUMBER LEGEND

1R3004A20F020

POLES 2-6  
FINISHED LENGTH:  
A120= 12 IN.  
F020= 2 FEET  
F100= 10 FEET

M005= 0.5 METER  
M010= 1 METER  
M100= 10 METER

## TABLE

ITEM	DESCRIPTION	MATERIAL	FINISH
6	FLAG LABEL	VINYL	BLACK/YELLOW
5	POTTING MATERIAL	EPDXY	
4	WIRE, 16 AWG UL (1015)	PVC INSULATION	SEE CHART
3	CONTACT SOCKET	COPPER ALLOY	GOLD PLATED
2	FEMALE INSERT	PVC	YELLOW
1	RECEPTACLE SHELL	ZINC DIE-CAST	BLACK

REVID EC/VOLTS, ADD UL FILE, CHART & TOOLS  
EC NO: IPG2017-1018  
DRWN: RSTONE 5/1/17  
CHKD: M ZIELIN 2017/05/08  
APPR: BWOODMAN

QUALITY SYMBOLS  
=0  
C=0

## GENERAL TOLERANCES (UNLESS SPECIFIED)

	mm	INCH
4 PLACES	±---	±---
3 PLACES	±---	±---
2 PLACES	±---	±---
1 PLACE	±---	±---

ANGULAR ±1/2°

DRAFT WHERE APPLICABLE  
MUST REMAIN  
WITHIN DIMENSIONS

DIMENSION STYLE  
INCH/MM

DRAWN BY	DATE
RSTONE	2016/12/05
CHECKED BY	DATE
M ZIELIN	2016/12/12
APPROVED BY	DATE
---	---

MATERIAL NO. --

SIZE A

THIS DRAWING CONTAINS INFORMATION THAT IS PROPRIETARY TO MOLEX INCORPORATED AND SHOULD NOT BE USED WITHOUT WRITTEN PERMISSION

SCALE ---

DESIGN UNITS INCH

THIRD ANGLE PROJECTION

TITLE  
MINI-CHANGE RECEPTACLE  
2-6P FEMALE  
#16-1 PVC WIRES

MOLEX  
MOLEX INCORPORATED

DOCUMENT NO.  
SD-130013-121

SHEET NO.  
1 OF 1

6

5

4

3

2

1

## X-ON Electronics

Largest Supplier of Electrical and Electronic Components

*Click to view similar products for [Sensor Cables / Actuator Cables](#) category:*

*Click to view products by [Molex](#) manufacturer:*

Other Similar products are found below :

[1300070444](#) [43-10984](#) [M83513/19-F01CP](#) [704000D02F120](#) [MDM25PH003BF222](#) [802027107404-1](#) [885030A09M010](#) [885030A09M020](#)  
[1200650174](#) [1200651332](#) [1200651713](#) [1200660171](#) [1200660208](#) [1200660343](#) [1200660804](#) [1200660845](#) [1200660926](#) [1200660977](#)  
[1200661173](#) [1200661354](#) [120066-1712](#) [1200720053](#) [1200720099](#) [1200720153](#) [1200720172](#) [1200720217](#) [1200720226](#) [1200720251](#)  
[1200720285](#) [1200720296](#) [1200720404](#) [1200730148](#) [1200730378](#) [1200800231](#) [1200860112](#) [1200860121](#) [1200860125](#) [1200860337](#)  
[1200860365](#) [1200860420](#) [1200870046](#) [1200870123](#) [1200870248](#) [1200980102](#) [1200660181](#) [1200660183](#) [1200660827](#) [1200660849](#)  
[1200661170](#) [1200661295](#)