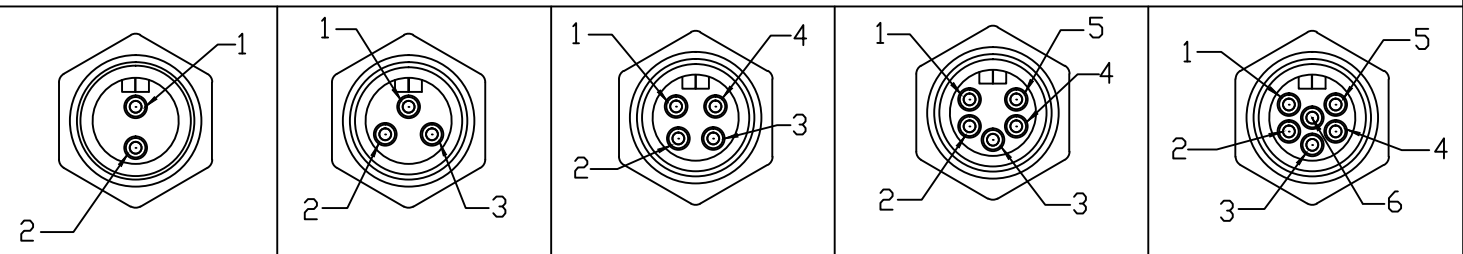


FACE VIEW - MALE INSERT



- 1 WHITE
2 BLACK
- 1 GREEN/YELLOW
2 BLACK
3 WHITE
- 1 BLACK
2 WHITE
3 RED
4 GREEN/YELLOW
- 1 WHITE
2 RED
3 GREEN/YELLOW
4 ORANGE
5 BLACK
6 BLACK
- 1 WHITE
2 RED
3 GREEN/YELLOW
4 ORANGE
5 BLACK
6 BLUE

PART NUMBER LEGEND

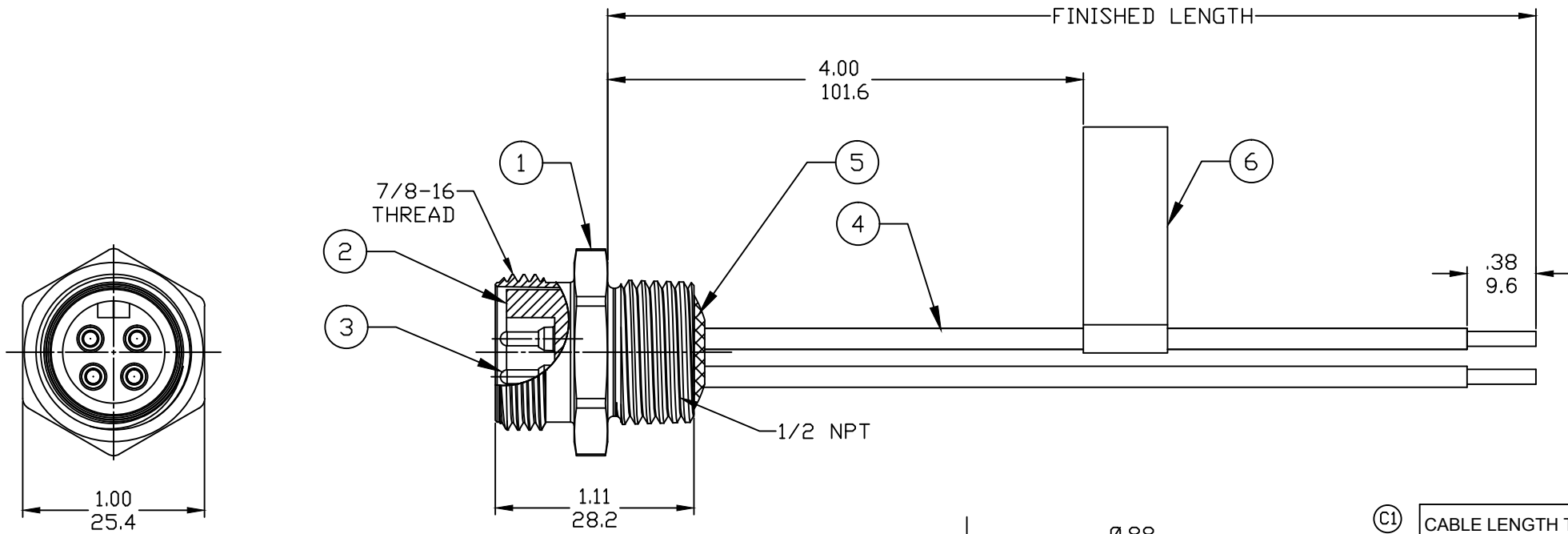
1R3006A20F020

POLES 2-6

FINISHED LENGTH:
A120= 12 IN.
F020= 2 FEET
F100= 10 FEET

M005= 0.5 METER
M010= 1 METER
M100= 10 METER

| PART NO. | ENGINEERING NO. | FINISHED LENGTH |
|------------|-----------------|-----------------|
| 1300130076 | 1R2006A20A120 | 12 IN |
| 1300130223 | 1R3006A20M010 | 1.0M |
| 1300130224 | 1R3006A20M020 | 2.0M |



- NOTES:
- MATERIAL: AS NOTED
 - FINISH: AS NOTED
 - ELECTRICAL:
VOLTAGE: 2 THRU 6P 600V PER UL 2238
3P 500V PER IEC 60664
4P 483V PER IEC 60664 (C1)
5 & 6P 400V PER IEC 60664
CURRENT: 2 & 3 POLE: 13A
4 POLE: 10A
5 & 6 POLE: 8A
 - TEMP RATING: -20°TO +105°C
 - PROTECTION: IP67 (WHEN MATED)
 - (C1) 6. UL LISTED, FILE: E258922 FOR 3 & 4 POLE
UL RECOGNIZED, FILE: E152210 FOR 2, 5, & 6 POLE
 - ALL DIMS ARE FOR REFERENCE UNLESS OTHERWISE NOTED

(C1) CABLE LENGTH TOLERANCES

| | |
|--------------------------|-------------------------|
| >.3M [1FT]: | +19mm-0 [+1.75in-0] |
| .3 - .9M [1 - 3FT]: | +44.5mm-0 [+1.75in-0] |
| .9 - 1.8M [3 - 6FT]: | +55.6mm-0 [+2.19in-0] |
| 1.8 - 3.7M [6 - 12FT]: | +88.9mm-0 [+3.50in-0] |
| 3.7 - 7.3M [12 - 24FT]: | +165.1mm-0 [+6.50in-0] |
| 7.3-14.6M [24 - 48FT]: | +317.5mm-0 [+12.50in-0] |
| 14.6 - 30.5M [48-100FT]: | +622.3mm-0 [+24.50in-0] |
| OVER 30M [100FT] | +2% OF FINISHED LENGTH |

| ITEM | COMPONENT | MATERIAL | FINISH |
|------|-----------------------|---------------|---------------|
| 6 | LABEL | VINYL | BLACK/YELLOW |
| 5 | POTTING | EPOXY | |
| 4 | WIRE, 16 AWG, UL 1015 | PVC INSUL. | SEE FACE VIEW |
| 3 | CONTACT PIN | Cu ALLOY | GOLD PLATED |
| 2 | INSERT | PVC | YELLOW |
| 1 | RECEPTACLE SHELL | ZINC DIE-CAST | BLACK E-COAT |

| | | | | |
|---|--|---|----------------------|--|
| REV EC NO: IPG2017-0940 DRWN: RSTONE CHKD: K COX APPR: BWOODMAN 4/10/17 2017/04/28 2016/08/19 | DIMENSION STYLE IN/MM | SCALE --- | DESIGN UNITS INCH | THIRD ANGLE PROJECTION |
| | DIMENSION TOLERANCES (UNLESS SPECIFIED) | DRAWN BY RSTONE | DATE 2016/08/01 | TITLE MINI CHANGE RECEPTACLE MALE 2 TO 6P 16 AWG |
| | SYMBOLS ▽=0 ◻=0 | CHECKED BY K COX | DATE 2017/04/28 | |
| | DRAFT WHERE APPLICABLE MUST REMAIN WITHIN DIMENSIONS | APPROVED BY TWOLDEGE | DATE 2016/08/19 | MATERIAL NO. - |
| REV C1 | SIZE B | THIS DRAWING CONTAINS INFORMATION THAT IS PROPRIETARY TO MOLEX INCORPORATED AND SHOULD NOT BE USED WITHOUT WRITTEN PERMISSION | | |



SHEET NO.
1 OF 1

X-ON Electronics

Largest Supplier of Electrical and Electronic Components

Click to view similar products for [Circular Metric Connectors](#) category:

Click to view products by [Molex](#) manufacturer:

Other Similar products are found below :

[1424048](#) [1021212](#) [600X518037X](#) [6STD09SAM99B70X](#) [6STD15PCR99B70A](#) [8R4000A16M020](#) [1200910002](#) [1201150041](#) [1203580030](#)
[1200700064](#) [1200700263](#) [1200700416](#) [1200730102](#) [1200770002](#) [1-2823588-2](#) [130203-0054](#) [1300140026](#) [1300150099](#) [1-3637-600-5205](#)
[1545399](#) [1594331](#) [1600413](#) [1612606](#) [1612618](#) [1614660](#) [1A4000-348](#) [CA06EW24-10P-B-03](#) [21036836414](#) [2823064-1](#) [1610759](#) [A1642LK-](#)
[II-T](#) [1R3006A20M005](#) [41-01016](#) [41-40011](#) [41-40017](#) [42-00006](#) [42-01015](#) [4-22279-4](#) [4-22281-1](#) [4-22284-9](#) [43-00002](#) [43-00113](#) [43-00130](#)
[43-01028](#) [43-01034](#) [43-01088](#) [43-01090](#) [43-01203](#) [43-01209](#) [43-01335](#)