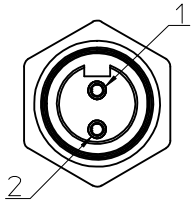
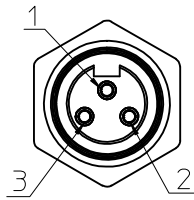


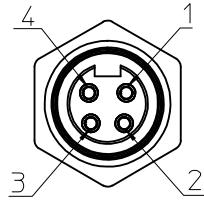
# FACE VIEW - FEMALE INSERT SCALE 2 : 1



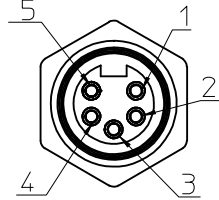
1 WHITE  
2 BLACK



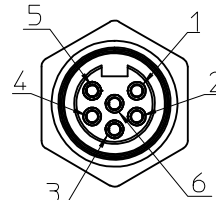
1 GREEN/YELLOW  
2 BLACK  
3 WHITE



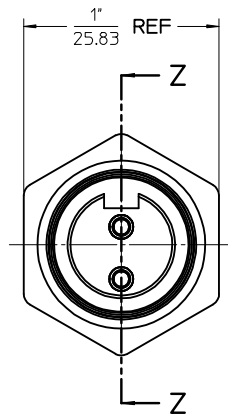
1 BLACK  
2 WHITE  
3 RED  
4 GREEN/YELLOW



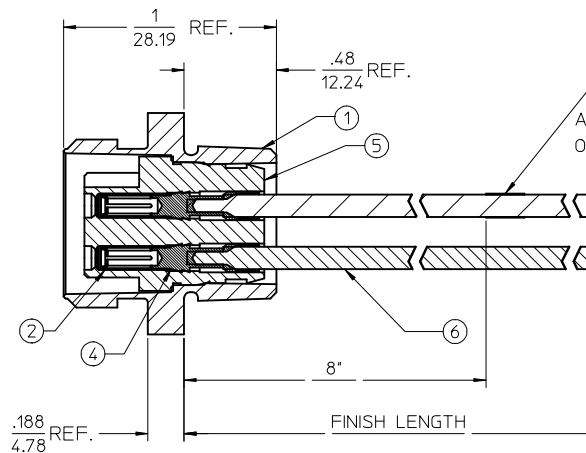
1 WHITE  
2 RED  
3 GREEN/YELLOW  
4 ORANGE  
5 BLACK



1 WHITE  
2 RED  
3 GREEN/YELLOW  
4 ORANGE  
5 BLACK  
6 BLUE



FEMALE INSERT - FRONT VIEW



③ ATTACH TO GREEN/YELLOW (3-6 POLE)  
OR WHITE LEAD (2-POLE)

FINAL ASSEMBLY  
1300130060 (SHOWN)

ENTER DESCRIPTION EC NO: MNA2010-0057 DRAWN BY: NKUMAR01 2009/07/13 CHKD: JFMURPHY APPR: JFMURPHY 2009/08/10 REV: A	QUALITY SYMBOLS	GENERAL TOLERANCES (UNLESS SPECIFIED) ± --- mm    ± --- INCH 4 PLACES ± --- ± --- 3 PLACES ± --- ± --- 2 PLACES ± --- ± --- 1 PLACE ± --- ± --- ANGULAR ±1/2° DRAFT WHERE APPLICABLE MUST REMAIN WITHIN DIMENSIONS	DIMENSION STYLE <b>SECTION Z-Z</b>	SCALE <b>2:1</b>	DESIGN UNITS <b>INCH</b>	THIRD ANGLE PROJECTION	TITLE <b>MC 2P FR 12IN 16/1 PVC</b>	
	▽=0 ▽=0		DRAWN BY NKUMAR01	DATE 31/07/09	MOLEX INCORPORATED SD-130013-060			
			CHECKED BY BWOODMAN	DATE 31/07/09				
			APPROVED BY JFMURPHY	DATE 31/07/09	MATERIAL NO. <b>SEE SHEET 2</b>	DOCUMENT NO. <b>SD-130013-060</b>	SHEET NO. <b>1 OF 2</b>	THIS DRAWING CONTAINS INFORMATION THAT IS PROPRIETARY TO MOLEX INCORPORATED AND SHOULD NOT BE USED WITHOUT WRITTEN PERMISSION

FEMALE RECEPTACLE ASSEMBLY

2 POLE	3 POLE	4 POLE	5 POLE	6 POLE
--------	--------	--------	--------	--------

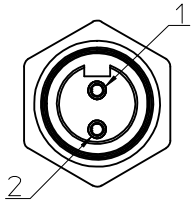
Sl. No.	DESCRIPTION	MATERIAL	FINISH	QUANTITY				
1	RECEPTACLE SHELL	ZINC DIECAST	BLACK E-COAT	1	1	1	1	1
2	SOCKET SLEEVE - TUBE	STAINLESS STEEL	PASSIVATED	2	3	4	5	6
3	LABEL	PLASTIC FILM	BLACK/YELLOW	1	1	1	1	1
4	SOCKET CONTACT 16AWG	COPPER ALLOY	GOLD PLATED	2	3	4	5	6
5	2P FEM INSERT PVC A-SIZE	PVC	YELLOW	1				
	3P FEM INSERT PVC A-SIZE	PVC	YELLOW		1			
	4P FEM INSERT PVC A-SIZE	PVC	YELLOW			1		
	5P FEM INSERT PVC A-SIZE	PVC	YELLOW				1	
6	#16-1 BLK PVC WIRE UL1015	PVC JACKET	BLACK	1	1	1	1	1
	#16-1 BLU PVC WIRE UL1015	PVC JACKET	BLUE					1
	#16-1 GRN/YEL PVC WIRE UL1015	PVC JACKET	GREEN/YELLOW		1	1	1	1
	#16-1 ORN PVC WIRE UL1015	PVC JACKET	ORANGE				1	1
	#16-1 RED PVC WIRE UL1015	PVC JACKET	RED			1	1	1
	#16-1 WHT PVC WIRE UL1015	PVC JACKET	WHITE		1	1	1	1

POLE COUNT	MAX. VOLTAGE RATING	MAX. CURRENT RATING
2 POLE	600 VOLTS	13 AMPS
3 POLE	600 VOLTS	13 AMPS
4 POLE	600 VOLTS	10 AMPS
5 POLE	600 VOLTS	8 AMPS
6 POLE	600 VOLTS	8 AMPS

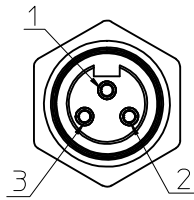
PART NUMBER	DESCRIPTION	FINISHED LENGTH
1300130060	1R2004A20A120	12.0" +.75" -0 [0.3M +19.1MM -0]
1300130067	1R2004A20F060	6.0' +2.19' -0 [1.8M +55.6MM -0]
1300130135	1R3004A20A120	12.0" +.75" -0 [0.3M +19.1MM -0]
1300130148	1R3004A20F060	6.0' +2.19' -0 [1.8M +55.6MM -0]
1300130314	1R4004A20A120	12.0" +.75" -0 [0.3M +19.1MM -0]
1300130325	1R4004A20F060	6.0' +2.19' -0 [1.8M +55.6MM -0]
1300130442	1R5004A20A120	12.0" +.75" -0 [0.3M +19.1MM -0]
1300130452	1R5004A20F060	6.0' +2.19' -0 [1.8M +55.6MM -0]
1300130567	1R6004A20A120	12.0" +.75" -0 [0.3M +19.1MM -0]
1300130576	1R6004A20F060	6.0' +2.19' -0 [1.8M +55.6MM -0]

ENTER DESCRIPTION EC NO: MNA2010-0057 DRAWN BY: DRWINAKUMAR01 2009/07/31 CHKD: APPR: JFMURPHY 2009/08/10 REV: A	QUALITY SYMBOLS 	GENERAL TOLERANCES (UNLESS SPECIFIED)	DIMENSION STYLE <b>IN/MM</b>	SCALE <b>2:1</b>	DESIGN UNITS <b>INCH</b>	THIRD ANGLE PROJECTION 	
		4 PLACES ± --- ± --- 3 PLACES ± --- ± --- 2 PLACES ± --- ± --- 1 PLACE ± --- ± ---	DRAWN BY: NKUMAR01 DATE: 31/07/09 CHECKED BY: BWOODMAN DATE: 31/07/09 APPROVED BY: JFMURPHY DATE: 31/07/09	MC 2P FR 12IN 16/1 PVC			
		ANGULAR ±1/2°		MATERIAL NO. <b>SEE CHART</b> DOCUMENT NO. <b>SD-130013-060</b>			SHEET NO. 2 OF 2
		DRAFT WHERE APPLICABLE MUST REMAIN WITHIN DIMENSIONS		THIS DRAWING CONTAINS INFORMATION THAT IS PROPRIETARY TO MOLEX INCORPORATED AND SHOULD NOT BE USED WITHOUT WRITTEN PERMISSION			

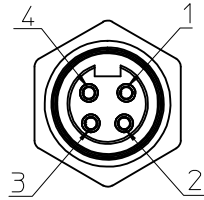
# FACE VIEW - FEMALE INSERT SCALE 2 : 1



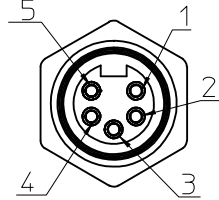
1 WHITE  
2 BLACK



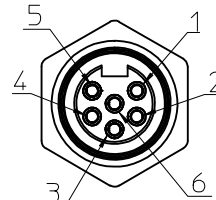
1 GREEN/YELLOW  
2 BLACK  
3 WHITE



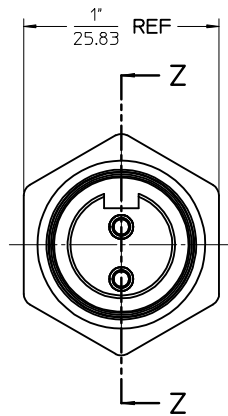
1 BLACK  
2 WHITE  
3 RED  
4 GREEN/YELLOW



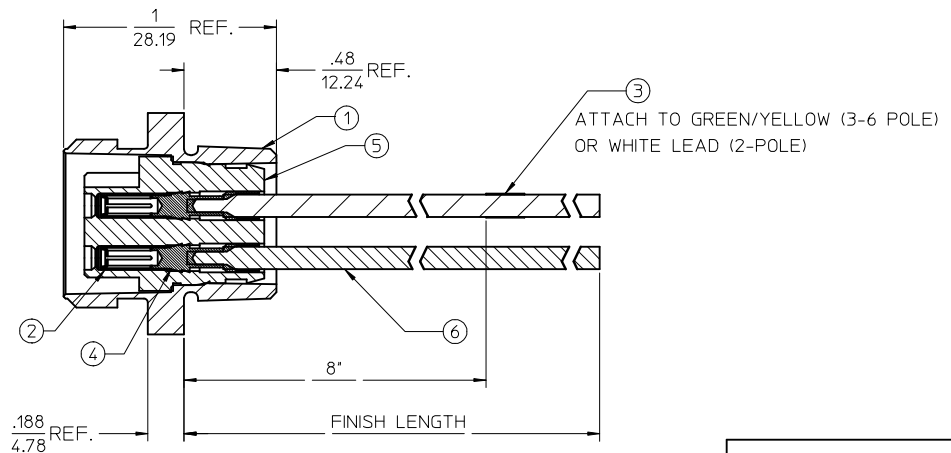
1 WHITE  
2 RED  
3 GREEN/YELLOW  
4 ORANGE  
5 BLACK



1 WHITE  
2 RED  
3 GREEN/YELLOW  
4 ORANGE  
5 BLACK  
6 BLUE



FEMALE INSERT - FRONT VIEW



FINAL ASSEMBLY  
1300130060 (SHOWN)

ENTER DESCRIPTION EC NO: MNA2010-0057 DRAWN BY: NKUMAR01 2009/07/13 CHKD: JFMURPHY APPR: JFMURPHY 2009/08/10 REV: A	QUALITY SYMBOLS	GENERAL TOLERANCES (UNLESS SPECIFIED) <table border="1" style="width: 100%; border-collapse: collapse;"> <thead> <tr> <th></th> <th>mm</th> <th>INCH</th> </tr> </thead> <tbody> <tr> <td>4 PLACES</td> <td>± .005</td> <td>± .0002</td> </tr> <tr> <td>3 PLACES</td> <td>± .003</td> <td>± .0001</td> </tr> <tr> <td>2 PLACES</td> <td>± .002</td> <td>± .00005</td> </tr> <tr> <td>1 PLACE</td> <td>± .001</td> <td>± .00002</td> </tr> </tbody> </table> ANGULAR ±1/2°  DRAFT WHERE APPLICABLE MUST REMAIN WITHIN DIMENSIONS		mm	INCH	4 PLACES	± .005	± .0002	3 PLACES	± .003	± .0001	2 PLACES	± .002	± .00005	1 PLACE	± .001	± .00002	DIMENSION STYLE <b>SECTION Z-Z</b>	SCALE <b>2:1</b>	DESIGN UNITS <b>INCH</b>	THIRD ANGLE PROJECTION	TITLE <b>MC 2P FR 12IN 16/1 PVC</b>
			mm	INCH																		
	4 PLACES		± .005	± .0002																		
	3 PLACES		± .003	± .0001																		
2 PLACES	± .002	± .00005																				
1 PLACE	± .001	± .00002																				
▽=0	▽=0	DRAWN BY NKUMAR01	DATE 31/07/09	MOLEX INCORPORATED SD-130013-060																		
▽=0	▽=0	CHECKED BY BWOODMAN	DATE 31/07/09																			
A	REV	APPROVED BY JFMURPHY	DATE 31/07/09	MATERIAL NO. <b>SEE SHEET 2</b>	DOCUMENT NO.	SHEET NO. 1 OF 2	THIS DRAWING CONTAINS INFORMATION THAT IS PROPRIETARY TO MOLEX INCORPORATED AND SHOULD NOT BE USED WITHOUT WRITTEN PERMISSION															

FEMALE RECEPTACLE ASSEMBLY

2 POLE	3 POLE	4 POLE	5 POLE	6 POLE
--------	--------	--------	--------	--------

Sl. No.	DESCRIPTION	MATERIAL	FINISH	QUANTITY				
1	RECEPTACLE SHELL	ZINC DIECAST	BLACK E-COAT	1	1	1	1	1
2	SOCKET SLEEVE - TUBE	STAINLESS STEEL	PASSIVATED	2	3	4	5	6
3	LABEL	PLASTIC FILM	BLACK/YELLOW	1	1	1	1	1
4	SOCKET CONTACT 16AWG	COPPER ALLOY	GOLD PLATED	2	3	4	5	6
5	2P FEM INSERT PVC A-SIZE	PVC	YELLOW	1				
	3P FEM INSERT PVC A-SIZE	PVC	YELLOW		1			
	4P FEM INSERT PVC A-SIZE	PVC	YELLOW			1		
	5P FEM INSERT PVC A-SIZE	PVC	YELLOW				1	
6	#16-1 BLK PVC WIRE UL1015	PVC JACKET	BLACK	1	1	1	1	1
	#16-1 BLU PVC WIRE UL1015	PVC JACKET	BLUE					1
	#16-1 GRN/YEL PVC WIRE UL1015	PVC JACKET	GREEN/YELLOW		1	1	1	1
	#16-1 ORN PVC WIRE UL1015	PVC JACKET	ORANGE				1	1
	#16-1 RED PVC WIRE UL1015	PVC JACKET	RED			1	1	1
	#16-1 WHT PVC WIRE UL1015	PVC JACKET	WHITE	1	1	1	1	1

POLE COUNT	MAX. VOLTAGE RATING	MAX. CURRENT RATING
2 POLE	600 VOLTS	13 AMPS
3 POLE	600 VOLTS	13 AMPS
4 POLE	600 VOLTS	10 AMPS
5 POLE	600 VOLTS	8 AMPS
6 POLE	600 VOLTS	8 AMPS

PART NUMBER	DESCRIPTION	FINISHED LENGTH
1300130060	1R2004A20A120	12.0" +.75" -0 [0.3M +19.1MM -0]
1300130067	1R2004A20F060	6.0' +2.19' -0 [1.8M +55.6MM -0]
1300130135	1R3004A20A120	12.0" +.75" -0 [0.3M +19.1MM -0]
1300130148	1R3004A20F060	6.0' +2.19' -0 [1.8M +55.6MM -0]
1300130314	1R4004A20A120	12.0" +.75" -0 [0.3M +19.1MM -0]
1300130325	1R4004A20F060	6.0' +2.19' -0 [1.8M +55.6MM -0]
1300130442	1R5004A20A120	12.0" +.75" -0 [0.3M +19.1MM -0]
1300130452	1R5004A20F060	6.0' +2.19' -0 [1.8M +55.6MM -0]
1300130567	1R6004A20A120	12.0" +.75" -0 [0.3M +19.1MM -0]
1300130576	1R6004A20F060	6.0' +2.19' -0 [1.8M +55.6MM -0]

ENTER DESCRIPTION EC NO: MNA2010-0057 DRWN: NKUMAR01 2009/07/31 CHKD: APPR: JFMURPHY 2009/08/10 REV: A	QUALITY SYMBOLS 	GENERAL TOLERANCES (UNLESS SPECIFIED) <table border="1" style="width: 100%; border-collapse: collapse;"> <tr> <th></th> <th>mm</th> <th>INCH</th> </tr> <tr> <td>4 PLACES</td> <td>± .005</td> <td>± .0002</td> </tr> <tr> <td>3 PLACES</td> <td>± .005</td> <td>± .0002</td> </tr> <tr> <td>2 PLACES</td> <td>± .005</td> <td>± .0002</td> </tr> <tr> <td>1 PLACE</td> <td>± .005</td> <td>± .0002</td> </tr> </table>		mm	INCH	4 PLACES	± .005	± .0002	3 PLACES	± .005	± .0002	2 PLACES	± .005	± .0002	1 PLACE	± .005	± .0002	DIMENSION STYLE IN/MM	SCALE 2:1	DESIGN UNITS INCH	THIRD ANGLE PROJECTION 
			mm	INCH																	
		4 PLACES	± .005	± .0002																	
		3 PLACES	± .005	± .0002																	
2 PLACES	± .005	± .0002																			
1 PLACE	± .005	± .0002																			
DRAWN BY: NKUMAR01 DATE: 31/07/09 CHECKED BY: BWOODMAN DATE: 31/07/09 APPROVED BY: JFMURPHY DATE: 31/07/09		MC 2P FR 12IN 16/1 PVC																			
MATERIAL NO. SD-130013-060		SEE CHART																			
DRAFT WHERE APPLICABLE MUST REMAIN WITHIN DIMENSIONS		MOLEX INCORPORATED DOCUMENT NO. SD-130013-060 SHEET NO. 2 OF 2																			

6

5

4

3

2

1

E

E

D

D

C

C

B

B

A

A

FACE VIEW-FEMALE INSERT

NOTES:

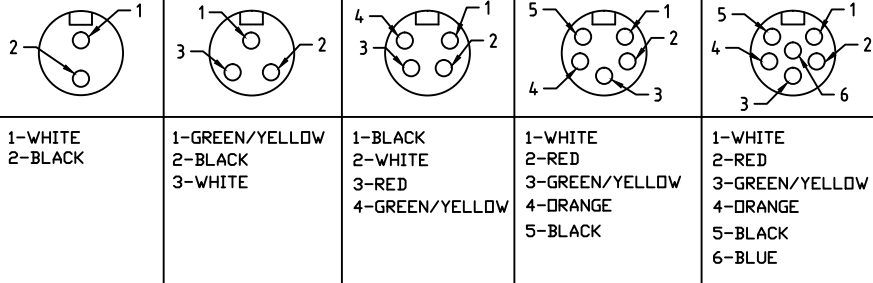
- 1. MATERIAL: SEE TABLE
- 2. FINISH: SEE TABLE
- 3. ELECTRICAL:
  - VOLTAGE: 2P THRU 6P 600V PER UL 2238
  - 3P 500V PER IEC60664
  - 4P 483V PER IEC60664
  - 5 & 6P 400V PER IEC60664

(A1)

CABLE LENGTH TOLERANCES

- >.3M [1FT]: +19mm-0 [ +.75in-0]
- .3 - .9M [1 - 3FT]: +44.5mm-0 [+1.75in-0]
- .9 - 1.8M [3 - 6FT]: +55.6mm-0 [+2.19in-0]
- 1.8 - 3.7M [6 - 12FT]: +88.9mm-0 [+3.50in-0]
- 3.7 - 7.3M [12 - 24FT]: +165.1mm-0 [+6.50in-0]
- 7.3-14.6M [24 - 48FT]: +317.5mm-0 [+12.50in-0]
- 14.6 - 30.5M [48-100FT]: +622.3mm-0 [+24.50in-0]
- OVER 30M [100FT] +2% OF FINISHED LENGTH

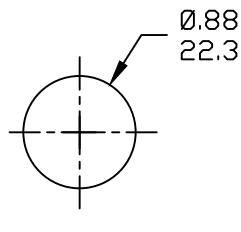
- CURRENT: 2P & 3P: 13A
- 4P: 10A
- 5P & 6P: 8A
- 4. TEMP RATING: -20°TO +105°C
- 5. PROTECTION: IP67 (WHEN MATED)
- (A1) 6. UL RECOGNIZED, FILE E152210
- 7. ALL DIMS ARE FOR REFERENCE UNLESS NOTED OTHERWISE



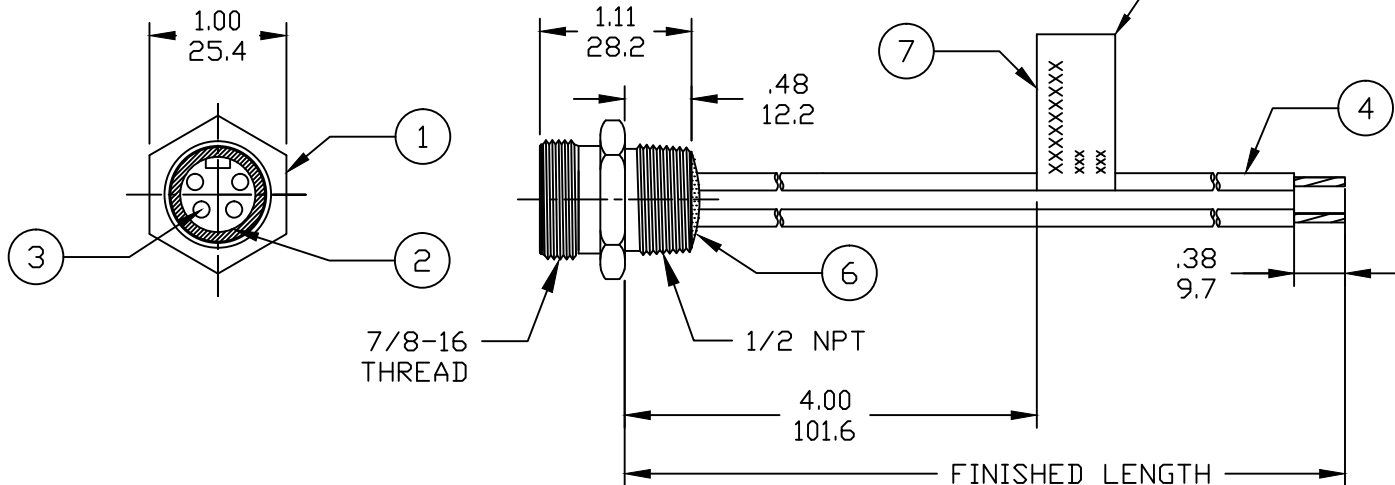
1-WHITE 2-BLACK	1-GREEN/YELLOW 2-BLACK 3-WHITE	1-BLACK 2-WHITE 3-RED 4-GREEN/YELLOW	1-WHITE 2-RED 3-GREEN/YELLOW 4-ORANGE 5-BLACK	1-WHITE 2-RED 3-GREEN/YELLOW 4-ORANGE 5-BLACK 6-BLUE
--------------------	--------------------------------------	---	---	---

CHART (A1)

PART NO.	ENGINEERING NO.	FINISHED LENGTH
1300130582	1R6004A20F120	12IN
1300131164	1R5004A20M010	1.0M
1300130328	1R4004A20F080	8.0FT



REF. KNOCKOUT HOLE



PART NUMBER LEGEND

1R3004A20F020

- POLES: 2-6
- FINISHED LENGTH:
  - A120= 12 IN.
  - F020= 2 FEET
  - F100= 10 FEET

- M005= 0.5 METER
- M010= 1 METER
- M100= 10 METER

TABLE

ITEM	DESCRIPTION	MATERIAL	FINISH
6	FLAG LABEL	VINYL	BLACK/YELLOW
5	POTTING MATERIAL	EPDXY	
4	WIRE, 16 AWG UL (1015)	PVC INSULATION	SEE CHART
3	CONTACT SOCKET	COPPER ALLOY	GOLD PLATED
2	FEMALE INSERT	PVC	YELLOW
1	RECEPTACLE SHELL	ZINC DIE-CAST	BLACK

REV'D EC/VOLTS, ADD UL FILE, CHART & TOOLS  
 EC NO: IFC2017-1018  
 DRWN: RSTONE 5/1/17  
 CHKD: M ZIELIN 2017/05/08  
 APPR: BWOODMAN

QUALITY SYMBOLS  
 ▽=0  
 ▽/C=0

GENERAL TOLERANCES (UNLESS SPECIFIED)

	mm	INCH
4 PLACES	±---	±---
3 PLACES	±---	±---
2 PLACES	±---	±---
1 PLACE	±---	±---

ANGULAR ±1/2°

DRAFT WHERE APPLICABLE MUST REMAIN WITHIN DIMENSIONS

DIMENSION STYLE INCH/MM

SCALE ---

DESIGN UNITS INCH

THIRD ANGLE PROJECTION

TITLE MINI-CHANGE RECEPTACLE 2-6P FEMALE #16-1 PVC WIRES

MOLEX MOLEX INCORPORATED

MATERIAL NO. --

DOCUMENT NO. SD-130013-121

SHEET NO. 1 OF 1

SIZE A

THIS DRAWING CONTAINS INFORMATION THAT IS PROPRIETARY TO MOLEX INCORPORATED AND SHOULD NOT BE USED WITHOUT WRITTEN PERMISSION

6

5

4

3

2

1

6

5

4

3

2

1

E

E

D

D

C

C

B

B

A

A

FACE VIEW-FEMALE INSERT

NOTES:

- 1. MATERIAL: SEE TABLE
- 2. FINISH: SEE TABLE
- 3. ELECTRICAL:
  - VOLTAGE: 2P THRU 6P 600V PER UL 2238
  - 3P 500V PER IEC60664
  - 4P 483V PER IEC60664
  - 5 & 6P 400V PER IEC60664

(A1)

CABLE LENGTH TOLERANCES

- >.3M [1FT]: +19mm-0 [ +.75in-0]
- .3 - .9M [1 - 3FT]: +44.5mm-0 [+1.75in-0]
- .9 - 1.8M [3 - 6FT]: +55.6mm-0 [+2.19in-0]
- 1.8 - 3.7M [6 - 12FT]: +88.9mm-0 [+3.50in-0]
- 3.7 - 7.3M [12 - 24FT]: +165.1mm-0 [+6.50in-0]
- 7.3-14.6M [24 - 48FT]: +317.5mm-0 [+12.50in-0]
- 14.6 - 30.5M [48-100FT]: +622.3mm-0 [+24.50in-0]
- OVER 30M [100FT] +2% OF FINISHED LENGTH

- CURRENT: 2P & 3P: 13A
- 4P: 10A
- 5P & 6P: 8A
- 4. TEMP RATING: -20°TO +105°C
- 5. PROTECTION: IP67 (WHEN MATED)
- (A1) 6. UL RECOGNIZED, FILE E152210
- 7. ALL DIMS ARE FOR REFERENCE UNLESS NOTED OTHERWISE

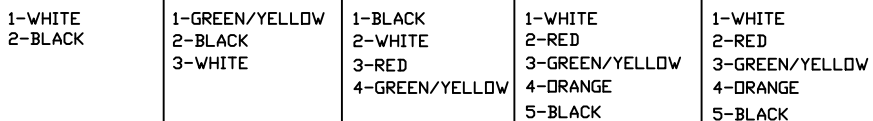
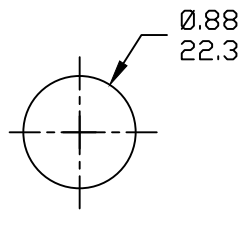
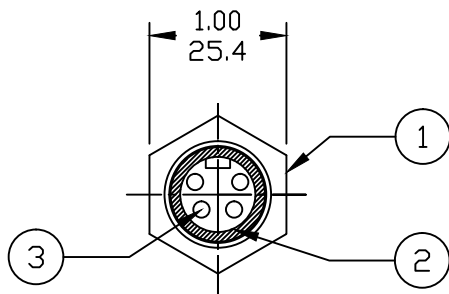


CHART (A1)

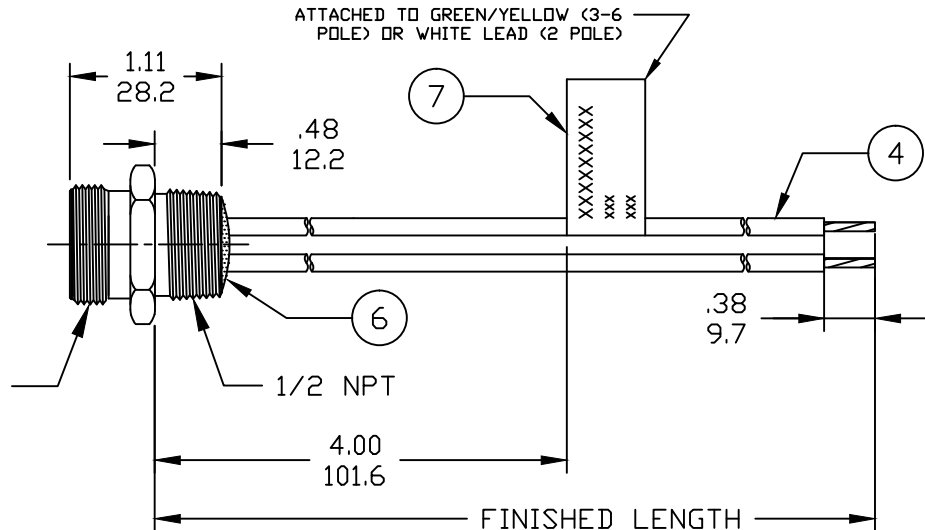
PART NO.	ENGINEERING NO.	FINISHED LENGTH
1300130582	1R6004A20F120	12IN
1300131164	1R5004A20M010	1.0M
1300130328	1R4004A20F080	8.0FT



REF. KNOCKOUT HOLE



7/8-16  
THREAD



PART NUMBER LEGEND

1R3004A20F020

- POLES: 2-6
- FINISHED LENGTH:
  - A120= 12 IN.
  - F020= 2 FEET
  - F100= 10 FEET

- M005= 0.5 METER
- M010= 1 METER
- M100= 10 METER

TABLE

ITEM	DESCRIPTION	MATERIAL	FINISH
6	FLAG LABEL	VINYL	BLACK/YELLOW
5	POTTING MATERIAL	EPDXY	
4	WIRE, 16 AWG UL (1015)	PVC INSULATION	SEE CHART
3	CONTACT SOCKET	COPPER ALLOY	GOLD PLATED
2	FEMALE INSERT	PVC	YELLOW
1	RECEPTACLE SHELL	ZINC DIE-CAST	BLACK

REV'D EC/VOLTS, ADD UL FILE, CHART & TOOLS  
 EC NO: IFC2017-1018  
 DRWN: RSTONE 5/1/17  
 CHKD: M ZIELIN 2017/05/08  
 APPR: BWOODMAN

QUALITY SYMBOLS  
 ▽=0  
 ▽/C=0

GENERAL TOLERANCES (UNLESS SPECIFIED)

	mm	INCH
4 PLACES	±---	±---
3 PLACES	±---	±---
2 PLACES	±---	±---
1 PLACE	±---	±---

ANGULAR ±1/2°

DRAFT WHERE APPLICABLE  
MUST REMAIN  
WITHIN DIMENSIONS

DIMENSION STYLE  
INCH/MM

DRAWN BY: RSTONE DATE: 2016/12/05

CHECKED BY: M ZIELIN DATE: 2016/12/12

APPROVED BY: --- DATE: ---

MATERIAL NO.: --

SIZE: A

SCALE: --- DESIGN UNITS: INCH

THIRD ANGLE PROJECTION

TITLE: MINI-CHANGE RECEPTACLE  
2-6P FEMALE  
#16-1 PVC WIRES

MOLEX MOLEX INCORPORATED

DOCUMENT NO.: SD-130013-121 SHEET NO.: 1 OF 1

THIS DRAWING CONTAINS INFORMATION THAT IS PROPRIETARY TO MOLEX INCORPORATED AND SHOULD NOT BE USED WITHOUT WRITTEN PERMISSION

6

5

4

3

2

1

## X-ON Electronics

Largest Supplier of Electrical and Electronic Components

*Click to view similar products for [Molex manufacturer](#):*

Other Similar products are found below :

[1201140065](#) [90814-0008](#) [38210-0105](#) [60506-C-50](#) [69008-0971](#) [73108](#) [79516-1043](#) [72903](#) [2002181200](#) [0982660216](#) [68301-1017](#)  
[03-12-1016](#) [71506-C](#) [90835-0003](#) [02-09-8104](#) [880504](#) [67490-3220](#) [53254-0710](#) [85071-0017](#) [70984-4008](#) [03-12-2022](#) [89674-0805](#)  
[514412093](#) [0151340501](#) [54596-1010](#) [0191310031](#) [503308-4410](#) [02-09-6102](#) [0039000218](#) [89762-1582](#) [0011404526](#) [00136](#) [0022173102](#)  
[0026615060](#) [CR4006A30M003](#) [0039532085](#) [58098-0628](#) [0003092041](#) [0008520123](#) [0011030025](#) [0011184017](#) [0022162060](#) [01312](#)  
[M15730061](#) [61432](#) [6150300002](#) [CS63W64](#) [CS8264N](#) [CS8365N](#) [CS8369](#)