



INTERVAL TIMER SERIES 241—Push Button Reset

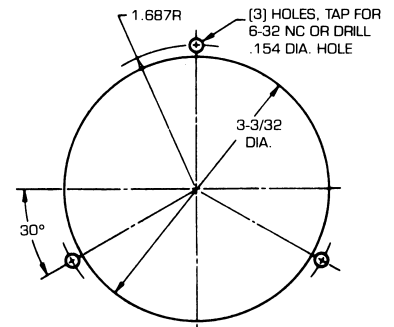
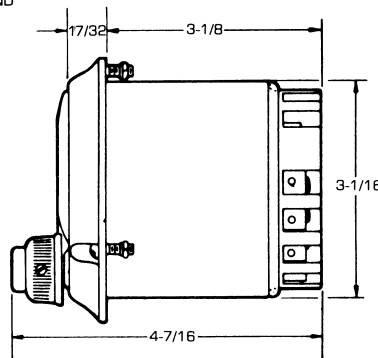
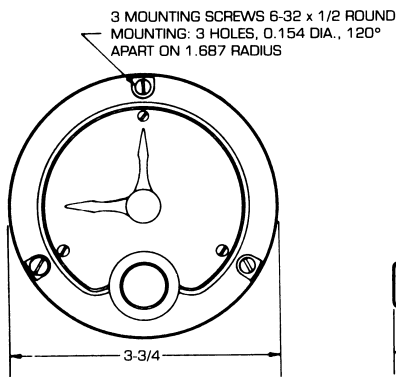
Interval Timers are used to control the length of a procedure or to delay the start of a procedure.

APPLICATIONS INCLUDE:

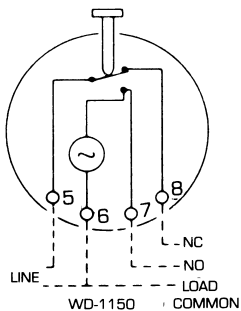
- control process time on commercial dark room equipment
- control baking time on commercial ovens
- control charging time on battery chargers

FEATURES:

- Integral push button
- Heavy duty contacts
- High accuracy
- Automatic reset
- Long life
- U/L-CSA



WIRING



TIME RANGES:			
TIME RANGES	DIAL DIVISIONS	TIME RANGES	DIAL DIVISIONS
6 sec.	0.1 sec.	30 min.	30.0 sec.
15 sec.	0.25 sec.	60 min.	1.0 min.
30 sec.	0.5 sec.	5 hr.	5.0 min.
60 sec.	1.0 sec.	12 hr.	15.0 min.
5 min.	5.0 sec.	24 hr.	30.0 min.
15 min.	15.0 sec.		

Minimum Setting: Two dial divisions \pm 0.5% of full scale.

Repeat Accuracy: \pm 0.5% of full scale.

Dial: Fully enclosed, black on white, high visibility dial with 300° scale protected by plastic dome of excellent optical quality and shock resistance.

Reset: Less than 1/2 second reset time.

Power: Available for 115 or 220 volts at 50 and 60 Hz.

Power Input: 4.75 volt-amperes at rated voltage, 60 Hz.

Load Contacts: Ratings with non-inductive load: 15 amps at 125 volts; 10 amps at 250 volts, SPDT snap-action load contacts are silver-cadmium oxide.

Terminals: Screw-lug terminal block.

Motor: Cramer permanent-magnet motor, quick start, synchronous operation, no coasting on removal of power.

Clutch: Positive, no-slip, 60 tooth ratchet, long mechanical life and high accuracy.

CRAMER specializes in providing sub-fractional motors, timers and electro-mechanical devices to meet your specific application. For special and non-standard designs, consult your CRAMER representative.

CRAMER COMPANY

139 Mill Rock Road, East, Old Saybrook, CT 06475-1261
(203)-388-3574 • 1-800-247-6784 • FAX: (203)-388-9831

X-ON Electronics

Largest Supplier of Electrical and Electronic Components

Click to view similar products for [molex](#) manufacturer:

Other Similar products are found below :

[60506-C-50](#) [73108](#) [72903](#) [1062837003](#) [0533241060](#) [68301-1017](#) [71506-C](#) [880504](#) [387790039](#) [53254-0710](#) [85071-0017](#) [387204903](#)
[783472003](#) [514412093](#) [0194180027](#) [0192210405](#) [0191640082](#) [0982660127](#) [0152670317](#) [0192210414](#) [0982670277](#) [0026482195](#)
[0191310031](#) [503308-4410](#) [0190070015](#) [02-09-6102](#) [0008650814](#) [791099208](#) [0039000218](#) [89762-1403](#) [89762-1542](#) [89762-1582](#)
[0011404526](#) [00136](#) [0022173102](#) [0026615060](#) [CR4006A30M003](#) [0039532085](#) [58098-0628](#) [0003092041](#) [0008520123](#) [0011030025](#)
[0011184017](#) [0022162060](#) [0022552102](#) [01312](#) [M15730061](#) [61432](#) [6150300002](#) [CS63W64](#)