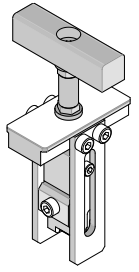


Order Number
200199-1470

molex®

Application Tooling Specification



FEATURES

- Extracts two power terminals per tool cycle
- Use tool 200199-1480 for extracting the vertical receptacle housing

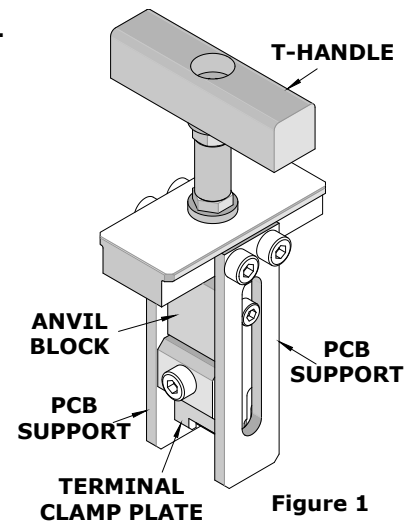
SCOPE

Products: Guardian Vertical Receptacle Assemblies, 5.15mm Pitch, 207279 Series.

Series No.	Assembly Order Number			
207279	207279-0001	207279-0002	207279-0004	207279-0005
	207279-0006	207279-0010	207279-0015	207279-0019
	207279-0022			

TOOL SETUP

The principal parts of the terminal extraction tool are shown in Figure 1.



TOOL OPERATION

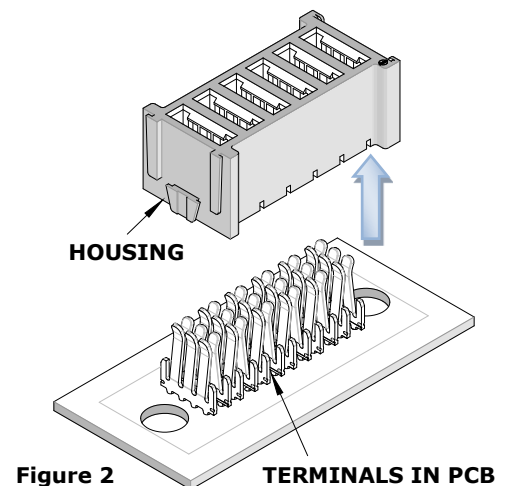
1. Remove the vertical receptacle housing using extraction tool 200199-1480. The terminals will be exposed as shown in Figure 2.
2. Turn the T-handle counterclockwise (CCW) until the clamp plates and anvil block are fully lowered. See Figure 1.

Note: The threaded shaft will disengage from the anvil block.

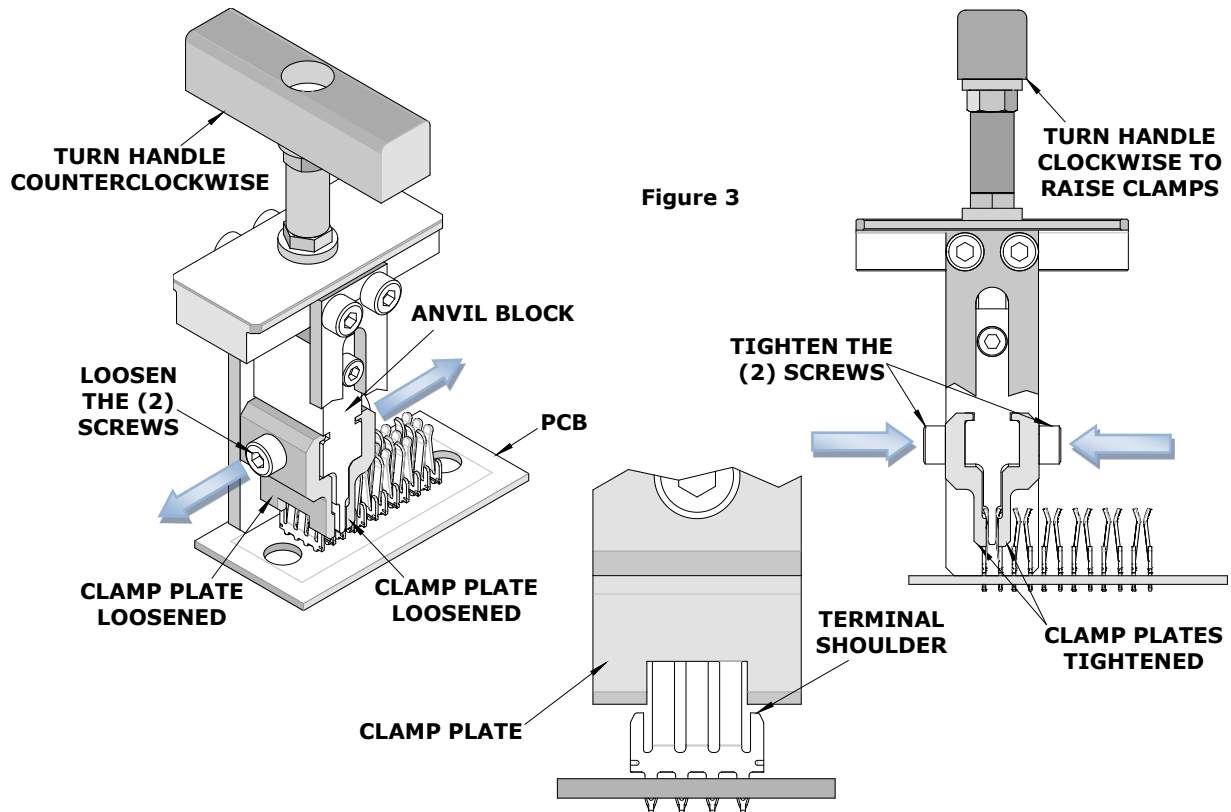
3. Using a 3mm hex wrench, loosen the screw holding each clamp plate 1½ turns.

Note: If the screws are not loosened, the tool will not fit over the power terminals.

4. Move the clamp plates away from the anvil.
5. Position the tool over a row of terminals.



- Working from the top, move the anvil block and clamp plates down over the power terminals until the clamp plates rest on the shoulder of the terminal. See Figure 3.



- Tighten the screws holding the terminal clamp plates.
- Turn the T-handle clockwise (CW) until the threaded shaft engages the anvil block.
- Continue turning the T-handle; the PCB supports will contact the PCB and the terminals will be pulled up.
- When the terminals are free from the PCB, pull the tool straight up and away from the PCB.
- Loosen the clamp plate screws and take the terminals out of the tool.
- Signal terminals can be removed from the PCB with a common needle-nose pliers.
- After terminals are removed from the PCB, they cannot be reused and should be discarded or recycled.

Application Tooling Support

Phone: (402) 458-TOOL (8665)
E-Mail: applicationtooling@molex.com
Website: www.molex.com/applicationtooling

Molex is a registered trademark of Molex, LLC in the United States of America and may be registered in other countries; all other trademarks listed herein belong to their respective owners.

X-ON Electronics

Largest Supplier of Electrical and Electronic Components

Click to view similar products for [Crimpers / Crimping Tools](#) category:

Click to view products by [Molex](#) manufacturer:

Other Similar products are found below :

[010-0096](#) [M225201-06](#) [M225202-37](#) [6-1579015-5](#) [CT150-2-D02](#) [CT150-6-RH07](#) [622-6441LF](#) [M322](#) [6-304052-1](#) [63456-0054](#) [63484-3701](#)
[63800-8355](#) [63819-1875](#) [63819-2875](#) [63819-4475](#) [63823-3475](#) [63827-5375](#) [64001-0975](#) [64001-4175](#) [64005-0175](#) [662903-2](#) [690602-6](#) [7-](#)
[1579001-9](#) [7-23471-1](#) [762637-1](#) [808714-1](#) [811242-5](#) [91362-1](#) [999-50-020083](#) [1-21002-3](#) [1-21002-7](#) [12085270](#) [1-21002-6](#) [1-21113-6](#) [1-](#)
[22548-4](#) [125442-1](#) [DCE.91.073.BVC](#) [DCE.91.090.3MVM](#) [DCE.91.130.5MVU](#) [DCE.91.202.BVCM](#) [1338300-1](#) [1-354003-0](#) [1338301-1](#)
[DF62/RE-MD](#) [142321](#) [AP105-DF11-2428S\(64\)](#) [1456088-1](#) [1490794-1](#) [1-45804-6](#) [1490357-2](#)