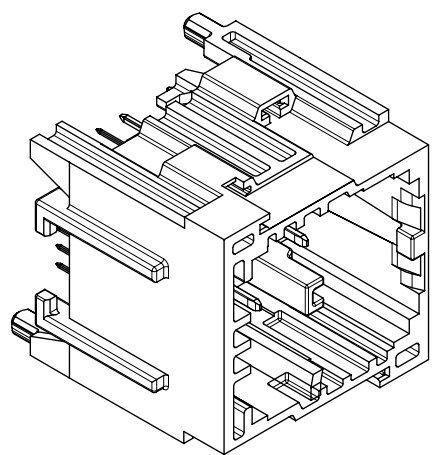


KEY 1
PART NO. 2005010281

SEE NOTE 3g

PART NUMBER	KEY	COLOR	TERMINAL QUANTITIES	
			0.5mm	1.2mm
2005010281	1	DARK GRAY	21	7
2005010282	2	GREEN		
2005010283	3	GRAY		
2005010284	4	BLACK		

FOUR (4) KEYS AVAILABLE
SEE INTERFACE DRAWING
SD-160014-002 FOR DEFINITION

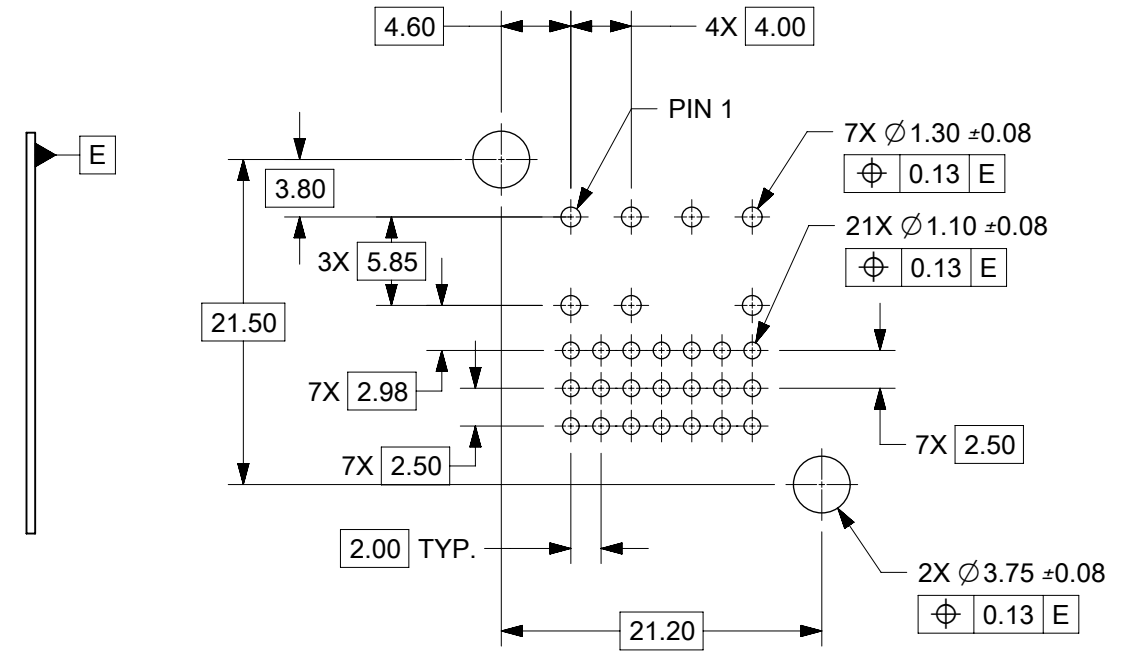
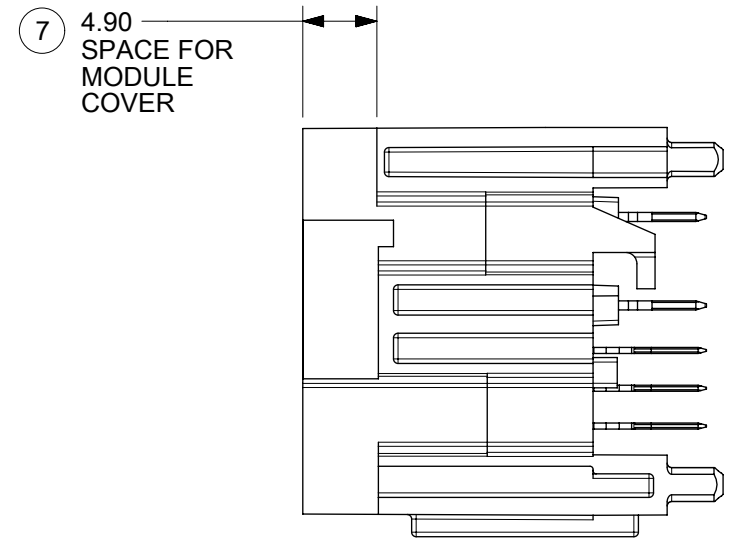
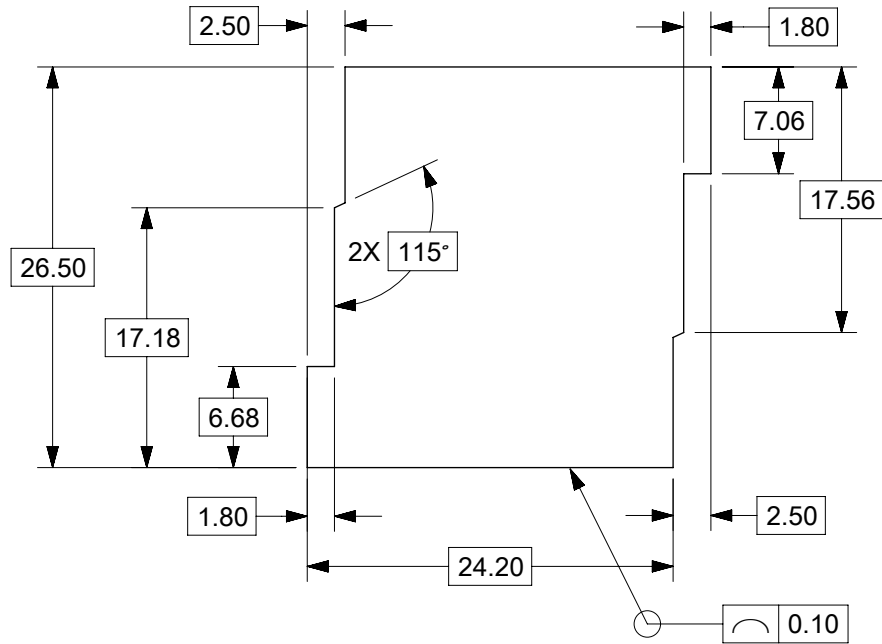


- NOTES: VALID UNLESS OTHERWISE SPECIFIED
- GENERAL:
 - APPLICATION SPECIFICATION 2005060000-AS
 - PRODUCT SPECIFICATION 200506001-PS
CLASSIFICATIONS T1V1S1 TO GMW 3191 2012
DEGREE OF PROTECTION IP40 TO ISO 20653 WITH MOLEX MATING CONNECTOR
 - PACKAGING SPECIFICATION PER MOLEX DRAWING
 - DESIGN - MATERIALS:
 - HOUSING: SPS 30% GF
 - BLADE TERMINALS:
 - 0.5MM BLADES
BASE MATERIAL: COPPER ALLOY
CONDUCTIVITY ≥ 28% IACS @ 20°C
UNDERPLATE: OVERALL NICKEL
OVERPLATE: OVERALL TIN
 - 1.2MM BLADES
BASE MATERIAL: COPPER ALLOY
CONDUCTIVITY ≥ 28% IACS @ 20°C
UNDERPLATE: OVERALL NICKEL
OVERPLATE: OVERALL TIN
 - DESIGN - GEOMETRY:
 - ALL GRAPHIC DATA IS BASIC (NO TOLERANCE) AND MUST BE TAKEN FROM THE DATA FILE AT ITS LATEST REVISION.
 - PRODUCT DESIGN MODEL NUMBER 2005010280
 - GEOMETRIC DIMENSIONS AND TOLERANCES PER ASME Y14.5-2009
 - EDGES AND UNDIMENSIONED DETAILS PER ISO13715
 - CORNERS SHOWN AS SHARP TO BE R 0.4 MAX.
 - LETTERING SHALL BE MAX POSSIBLE FOR READABILITY.
THIS INCLUDES RECYCLING CODE, CAVITY ID, VENDOR IDENTIFICATION, AND CUSTOMER MATERIAL NUMBER.
 - FOR BAY/POCKET DEFINITION SEE MOLEX INTERFACE DRAWING SD-160014-002
 - MATING HARNESS CONNECTORS MOLEX PN:
1600140001 (KEY 1)
1600140002 (KEY 2)
1600140003 (KEY 3)
1600140004 (KEY 4)
 - DESIGN - MANUFACTURING:
 - VISUAL DEFECTS SHALL MEET COSMETIC STANDARD PS-45499-002 (CLASS B)
 - REFLOW SOLDERABILITY PER SMES-152

INSPECTION BALLOON NUMBER LOG
PER DRAWING REVISION: C1
LAST BALLOON NUMBER: 11B
ADDED BALLOON NUMBER: NONE
DELETED BALLOON NUMBER: NONE

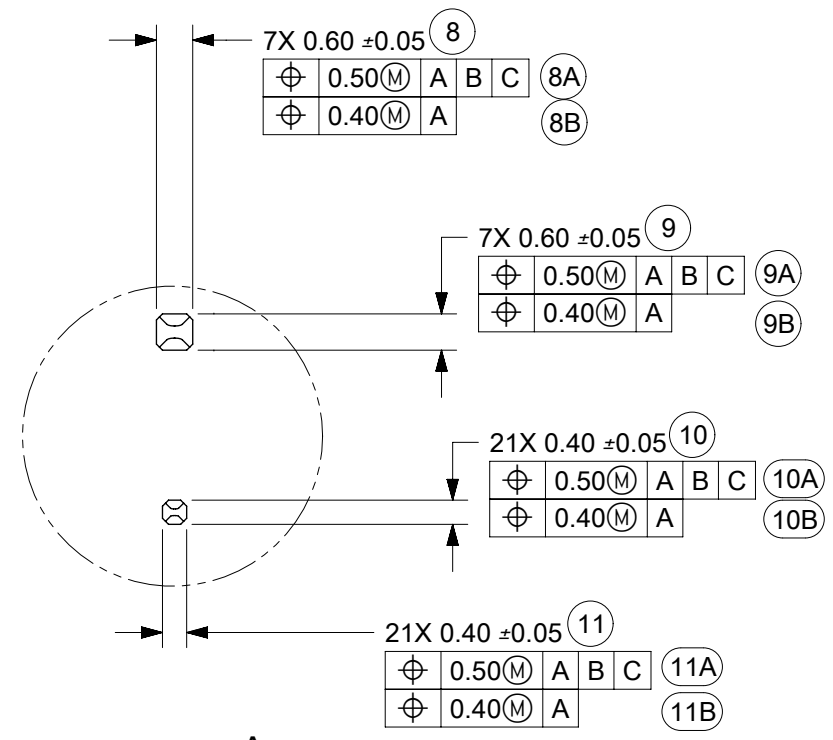
THIS DRAWING CONTAINS INFORMATION THAT IS PROPRIETARY TO MOLEX ELECTRONIC TECHNOLOGIES, LLC AND SHOULD NOT BE USED WITHOUT WRITTEN PERMISSION									
FUNCTIONAL SYMBOLS	DIMENSION UNITS	SCALE	CURRENT REV DESC: SEE REVISION SHEET						
∇ = 0	mm	2:1	<p>molex</p> <p>STAK50H MOD HDR 28 VERTICAL SINGLE ASM</p> <p>PRODUCT CUSTOMER DRAWING</p> <p>DOCUMENT NUMBER: 2005011280SD DOC TYPE: PSD DOC PART: 000 REVISION: C1</p> <p>MATERIAL NUMBER: 200501 CUSTOMER: SHEET NUMBER: 1 OF 2</p>						
∇ = 0	GENERAL TOLERANCES (UNLESS SPECIFIED)								
∇ = 0	ANGULAR TOL ± °								
DIVISIONAL SYMBOLS	4 PLACES	± 0.0	EC NO: 639277	2020/02/17	<p>DRWN: YPENG47</p> <p>CHK'D: JRUTTER</p> <p>APPR: JCONDON</p> <p>INITIAL REVISION:</p> <p>DRWN: JRUTTER</p> <p>APPR: RBAUMAN</p>				
	3 PLACES	± 0.0	2020/06/22						
	2 PLACES	± 0.13	2020/06/23						
	1 PLACE	± 0.25	2015/05/21						
	0 PLACES	± 0.0	2016/08/22	<p>DRAFT WHERE APPLICABLE MUST REMAIN WITHIN DIMENSIONS</p> <p>THIRD ANGLE PROJECTION</p> <p>DRAWING: B-SIZE</p> <p>SERIES: 200501</p>					

RECOMMENDED MODULE OPENING
TO PASS ISO 20653 IP40



PCB LAYOUT
FOR REFERENCE

FOR SINGLE-BAY HEADER ONLY
FOR MULTIPLE-BAY STACKED HEADER SEE DRAWING 2005050000



DETAIL A
SCALE 8:1

C1	ADDED PCB HOLE DIMENSIONAL & POSITIONAL TOLERANCE 10-JUNE-2020 YPENG47 ECN:639277
REVISION	DESCRIPTION

FUNCTIONAL SYMBOLS	THIS DRAWING CONTAINS INFORMATION THAT IS PROPRIETARY TO MOLEX ELECTRONIC TECHNOLOGIES, LLC AND SHOULD NOT BE USED WITHOUT WRITTEN PERMISSION		CURRENT REV DESC: SEE REVISION SHEET		
	DIMENSION UNITS	SCALE	EC NO: 639277 DRWN: YPENG47 CHK'D: JRUTTER APPR: JCONDON		
DIVISIONAL SYMBOLS	GENERAL TOLERANCES (UNLESS SPECIFIED)		2020/02/17 2020/06/22 2020/06/23		PRODUCT CUSTOMER DRAWING
	ANGULAR TOL ± °		INITIAL REVISION:		DOCUMENT NUMBER
	4 PLACES ± 0.0		DRWN: JRUTTER		2005011280SD
	3 PLACES ± 0.0		APPR: RBAUMAN		DOC TYPE DOC PART REVISION
2 PLACES ± 0.13		2015/05/21 2016/08/22		PSD 000 C1	
1 PLACE ± 0.25		THIRD ANGLE PROJECTION		MATERIAL NUMBER	
0 PLACES ± 0.0		DRAWING		CUSTOMER	
DRAFT WHERE APPLICABLE MUST REMAIN WITHIN DIMENSIONS		SERIES		SHEET NUMBER	
		B-SIZE 200501		2 OF 2	

X-ON Electronics

Largest Supplier of Electrical and Electronic Components

Click to view similar products for [Automotive Connectors](#) category:

Click to view products by [Molex](#) manufacturer:

Other Similar products are found below :

[003-018-000](#) [60993906-B](#) [72.330.1035.1](#) [776880-1](#) [827153-1](#) [9-1326729-8](#) [9-221607-5](#) [925474-1](#) [928905-1](#) [964562-4](#) [968782-1](#) [12004468](#)
[12004475-L](#) [12004483](#) [12052466](#) [12066163](#) [12015909](#) [12077753](#) [1-21030-1](#) [12047957](#) [12047958](#) [12084688](#) [12185550](#) [12336-12](#) [1-](#)
[326211-1](#) [13681974](#) [13688972](#) [13755420](#) [13779834](#) [13783086](#) [13843152](#) [13522378](#) [13581967](#) [13669624](#) [13675513](#) [13753471](#) [13946876](#)
[13953457](#) [13955963](#) [13964573](#) [13971791](#) [13790534-L](#) [13797473](#) [13805590](#) [13888202](#) [13969981](#) [1428188-1](#) [1437287-3](#) [1428188-2](#) [DS07-](#)
[19S-5020](#)