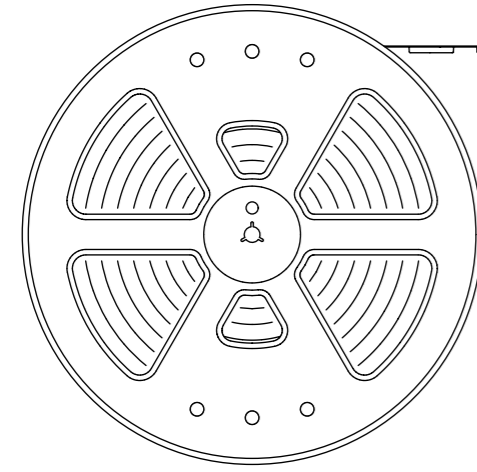


PULL OUT DIRECTION



PLASTIC BOBBIN

NOTES

- NUMBER OF CONNECTORS : 3,450 PCS/REEL.
 - LEAD TAPE LENGTH.
TOP TAPE NON-BONDED PART. TOP TAPE BONDED PART.
-
- PEEL-OFF FORCE OF TOP TAPE : $0.6 \pm 0.35N$ ($60 \pm 35gf$)
(PEELING DIRECTION AS SHOWN IN FOLLOWING FIG.)
<PEEL-OFF SPEED : 300mm/min (REF.)>
-
- FLASH IN ANY PORTION SHOULD BE LESS THAN 0.20mm MAX.
 - UNLESS OTHERWISE SPECIFIED INNER RADIUS IS 0.20mm MAX.

[TABLE]

MATERIAL NO.	CONNECTOR		TAPE WIDTH	EMBOSS TAPE NO.
	NO.	COLOR		
2038638103			16.0mm	203863-9001
	203863-8103	NATURAL		

SYMBOLS DIMENSION UNITS: mm SCALE: 5:1 GENERAL TOLERANCES (UNLESS SPECIFIED): ANGULAR TOL: ± 4.0° 4 PLACES: ± 3 PLACES: ± 2 PLACES: ± 0.2 1 PLACE: ± 0.2 0 PLACES: ± 0.2 DRAFT WHERE APPLICABLE MUST REMAIN WITHIN DIMENSIONS THIRD ANGLE PROJECTION	THIS DRAWING CONTAINS INFORMATION THAT IS PROPRIETARY TO MOLEX ELECTRONIC TECHNOLOGIES, LLC AND SHOULD NOT BE USED WITHOUT WRITTEN PERMISSION					
	CURRENT REV DESC:					
	EC NO: 114421			DOCUMENT NUMBER		
	DRWN: JBJIN 2018/02/20			DOC TYPE DOC PART REVISION		
CHK'D: SHCHU 2018/02/26			2038638103 PSD 002 A			
APPR: YSKIM02 2018/02/26			MATERIAL NUMBER CUSTOMER SHEET NUMBER			
INITIAL REVISION:			203863 2038638103 1 OF 1			
DRWN: JBJIN 2018/02/20						
APPR: YSKIM02 2018/02/26						

X-ON Electronics

Largest Supplier of Electrical and Electronic Components

Click to view similar products for [Lighting Connectors](#) category:

Click to view products by [Molex](#) manufacturer:

Other Similar products are found below :

[21061-9](#) [293300-7](#) [2106117-2](#) [293660-5](#) [293700-2](#) [CNX_H03_NTP](#) [30-9767-BU](#) [3-21030-1](#) [ZCH-110-RGB-I](#) [503471-0290](#) [ES5P09K4F2](#)
[CNXH02NTP](#) [ZCH-110-RGB-J](#) [217-0716-200](#) [192992-0057](#) [1954563-1](#) [217-3030-000](#) [217-3032-000](#) [237-0734-003](#) [DTS24W25-20PN-LC](#)
[1-2213614-2](#) [2834049-3](#) [ES9S002SZZ](#) [2834049-2](#) [2-2834067-3](#) [1-293657-2](#) [2834049-1](#) [293699-2](#) [293701-3](#) [1-2213614-3](#) [2834036-1](#)
[2834037-1](#) [2213614-3](#) [2307526-2](#) [2-2106124-3](#) [2-2834068-3](#) [FLS2SC4001BP](#) [FLSC80352000](#) [FLSC80354000](#) [FLSC80353000](#) [FLSSB8002](#)
[FLSSB8001](#) [FLSC80351000](#) [FLSC80355000](#) [FLSSB4001](#) [FLSC80504000](#) [FLSC80502000](#) [FLSC80501000](#) [FLSSR4001](#) [FLSC80505000](#)