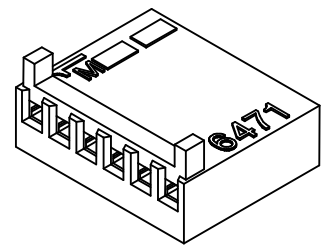
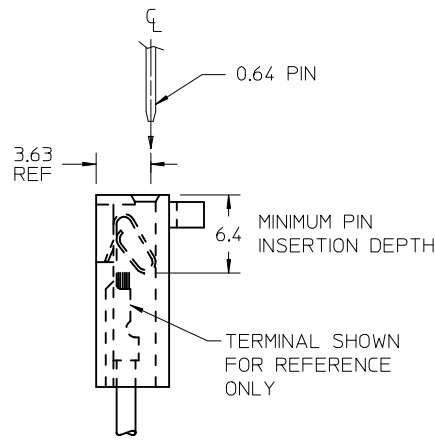
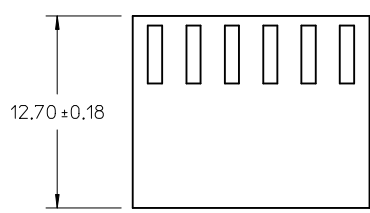
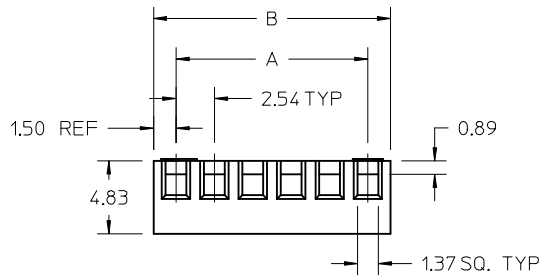
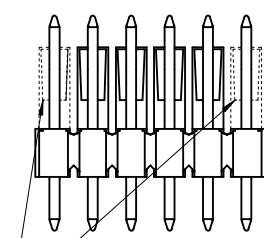
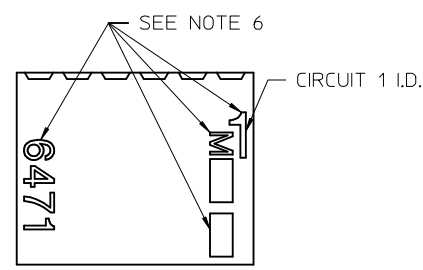
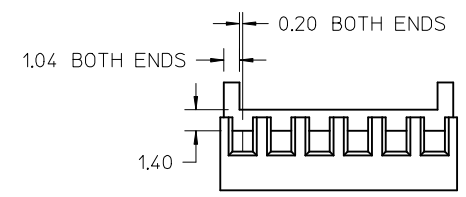


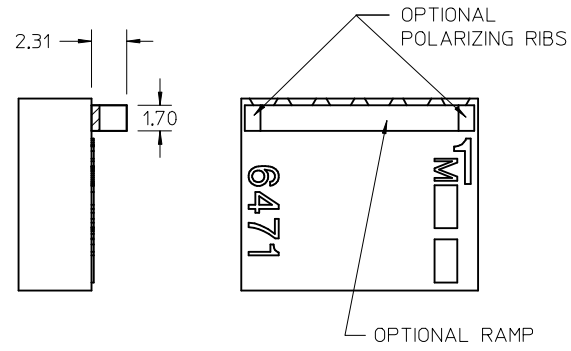
13		12	11	10	9	8	7	6	5	4	3	2	1
J	22	53.34±0.35	56.34±0.35										
	21	50.80±0.35	53.80±0.35										
	20	48.26±0.35	51.26±0.35										
	19	45.72±0.35	48.72±0.35										
	18	43.18±0.35	46.18±0.35										
I	17	40.64±0.35	43.64±0.35										
	16	38.10±0.35	41.10±0.35										
	15	35.56±0.35	38.56±0.35										
	14	33.02±0.35	36.02±0.35										
H	13	30.48±0.35	33.48±0.35										
	12	27.94±0.35	30.94±0.35										
	11	25.40±0.35	28.40±0.35										
	10	22.86±0.35	25.86±0.35										
	9	20.32±0.35	23.32±0.35										
G	8	17.78±0.35	20.78±0.35										
	7	15.24±0.35	18.24±0.35										
	6	12.70±0.15	15.70±0.15										
	5	10.16±0.15	13.16±0.15										
F	4	7.62±0.15	10.62±0.15										
	3	5.08±0.15	8.08±0.15										
	2	2.54±0.15	5.54±0.15										
	No. OF CCTS	DIM A	DIM B										



SHOWN WITH OPTIONAL RAMP AND POLARIZATION RIBS



WHEN MATING 6471-*NI TO BREAKAWAY FRICTION LOCK OR POLARIZING HEADERS, THE END BACKWALLS MUST BE REMOVED



OPTIONAL RAMP AND POLARIZING RIBS

LEGEND

E-6471-*N*

MATERIAL
BLANK= NATURAL

OF CIRCUITS

OPTION CODE
BLANK=NO RAMP OR POLARIZATION RIB
I= RAMP AND POLARIZATION RIB

- NOTES:
- MATERIAL:
BLANK: POLYAMIDE (PA66/6), UL94V-0, COLOR: NATURAL (WHITE)
 - FINISH: N/A
 - PRODUCT SPECIFICATION: PS-99020-0088
 - PACKAGING: BULK
 - FOR USE WITH TERMINAL SERIES 2759, 41572, 4809, 6459, AND 8088.
 - TEXT MAY BE PRESENT ON EITHER SIDE OF PART.
 - THIS PART CONFORMS TO CLASS B REQUIREMENTS OF COSMETIC SPECIFICATION PS-45499-002.

ADD HEADER VIEW EC NO: UCP2014-1471 DRW:WKP/PPR 2013/10/02 CHK:D/BANDERSON 2013/10/02 APPR:FSMITH 2013/10/09	QUALITY SYMBOLS ▽=0 ▽=0 ▽=0	GENERAL TOLERANCES (UNLESS SPECIFIED)	DIMENSION STYLE MM ONLY	SCALE 4:1	DESIGN UNITS METRIC	THIRD ANGLE PROJECTION
		4 PLACES ± --- ± --- 3 PLACES ± --- ± --- 2 PLACES ± 0.15 ± --- 1 PLACE ± 0.25 ± --- 0 PLACE ± ±	DRAWN BY SF DATE 2000/07/14	TITLE KK 2.54MM CRIMP TERMINAL HOUSING	molex	
G2	DESCRIPTION	ANGULAR ± --- °	MATERIAL NO. SEE CHART	THIS DRAWING CONTAINS INFORMATION THAT IS PROPRIETARY TO MOLEX. INCORPORATED AND SHOULD NOT BE USED WITHOUT WRITTEN PERMISSION		

E-6471-N		
PART No.	ENG No.	No. OF CIRCUITS
22-01-2026	E-6471-2	2
↑ -2036	↑ -3	3
-2046	-4	4
-2056	-5	5
-2066	-6	6
-2076	-7	7
-2086	-8	8
-2096	-9	9
-2106	-10	10
-2116	-11	11
-2126	-12	12
-2136	-13	13
-2146	-14	14
-2156	-15	15
-2166	-16	16
-2176	-17	17
-2186	-18	18
-2196	-19	19
-2206	-20	20
↓ -2216	↓ -21	21
22-01-2226	E-6471-22	22

E-6471-NI		
PART No.	ENG No.	No. OF CIRCUITS
22-01-2025	E-6471-02I	2
↑ -2035	↑ -03I	3
-2045	-04I	4
-2055	-05I	5
-2065	-06I	6
-2075	-07I	7
-2085	-08I	8
-2095	-09I	9
-2105	-10I	10
-2115	-11I	11
-2125	-12I	12
-2135	-13I	13
-2145	-14I	14
-2155	-15I	15
-2165	-16I	16
-2175	-17I	17
-2185	-18I	18
-2195	-19I	19
-2205	-20I	20
↓ -2215	↓ -21I	21
22-01-2225	E-6471-22I	22

SEE SHEET 1 EC NO: UCP2014-1471 DRWN:KIPPER 2013/10/02 CHKD:ANDERSON 2013/10/02 APPR:FSMITH 2013/10/09	QUALITY SYMBOLS 	GENERAL TOLERANCES (UNLESS SPECIFIED)		DIMENSION STYLE MM ONLY	SCALE 1:1	DESIGN UNITS METRIC	THIRD ANGLE PROJECTION																			
		<table border="1"> <tr><th></th><th>mm</th><th>INCH</th></tr> <tr><td>4 PLACES</td><td>± .005</td><td>± .0004</td></tr> <tr><td>3 PLACES</td><td>± .008</td><td>± .0005</td></tr> <tr><td>2 PLACES</td><td>± 0.15</td><td>± .006</td></tr> <tr><td>1 PLACE</td><td>± 0.25</td><td>± .010</td></tr> <tr><td>0 PLACE</td><td>±</td><td>±</td></tr> </table>			mm	INCH	4 PLACES	± .005	± .0004	3 PLACES	± .008	± .0005	2 PLACES	± 0.15	± .006	1 PLACE	± 0.25	± .010	0 PLACE	±	±	DRAWN BY DATE SF 2000/07/14		TITLE KK 2.54MM CRIMP TERMINAL HOUSING		
			mm	INCH																						
		4 PLACES	± .005	± .0004																						
3 PLACES	± .008	± .0005																								
2 PLACES	± 0.15	± .006																								
1 PLACE	± 0.25	± .010																								
0 PLACE	±	±																								
DRAFT WHERE APPLICABLE MUST REMAIN WITHIN DIMENSIONS		CHECKED BY DATE DWASZKIEWICZ 2006/02/27																								
G2	DESCRIPTION	ANGULAR ±---°		APPROVED BY DATE FSMITH 2011/10/11		molex DOCUMENT NO. SD-6471-N*-* SHEET NO. 2 OF 2																				
		SEE CHART		MATERIAL NO.																						

X-ON Electronics

Largest Supplier of Electrical and Electronic Components

Click to view similar products for [Headers & Wire Housings](#) category:

Click to view products by [Molex](#) manufacturer:

Other Similar products are found below :

[892-18-020-10-001101](#) [58102-G61-06LF](#) [582553-1](#) [0009485154](#) [009176003701906](#) [0050291907](#) [LY20-4P-DT1-P1E-BR](#) [02.125.8002.8](#)
[609-3404](#) [61062-3](#) [61082-181009](#) [622-3653LF](#) [63453-116](#) [636-1030](#) [636-1427](#) [636-3427](#) [636-4007](#) [641938-9](#) [641991-4](#) [644827-2](#) [65817-](#)
[010LF](#) [65817-015LF](#) [65863-015LF](#) [66207-023LF](#) [67095-007LF](#) [67601157](#) [68648-049](#) [70.362.1628.0](#) [70-4210](#) [70-4226B](#) [70-4853B](#) [707-](#)
[5020](#) [707-5028](#) [71.350.2428.0](#) [71918-208LF](#) [71961-016LF](#) [733-134](#) [733-162](#) [754199-000](#) [760-3052](#) [787-8014-00](#) [79531-3000](#) [FCN-](#)
[360C032-B](#) [FCN-367T-T012/H](#) [FCN-723D010/2](#) [80.063.4001.1](#) [800-90-001-10-001000](#) [800-90-010-10-002000](#) [801-43-002-10-013000](#)
[801-43-006-10-002000](#)