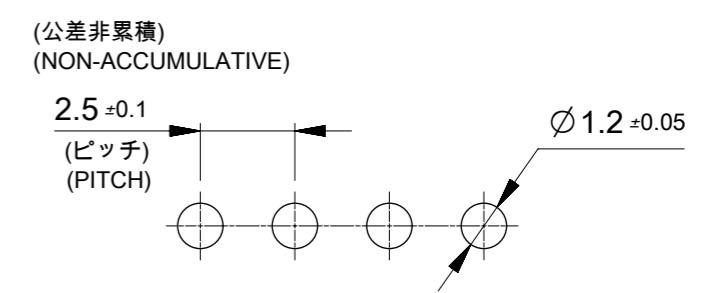
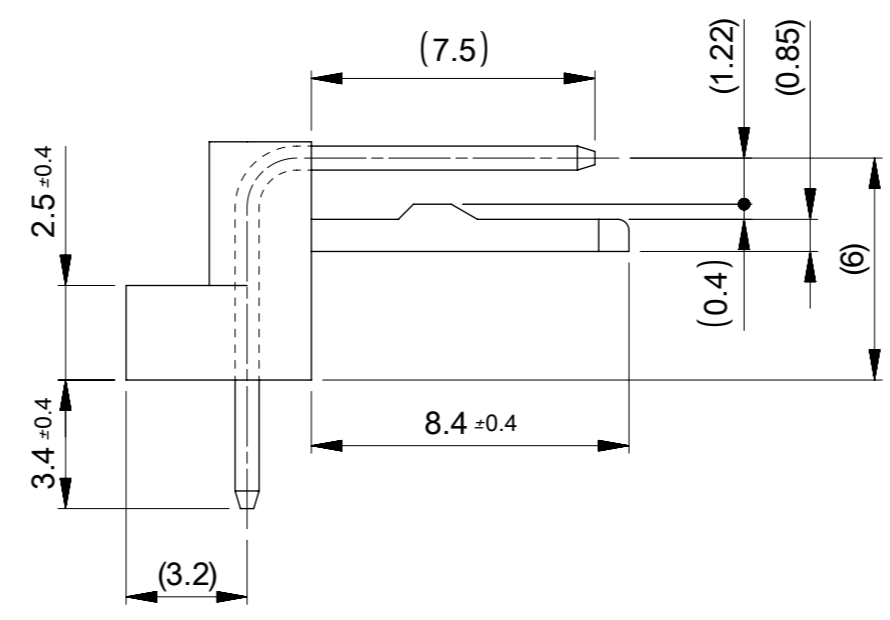
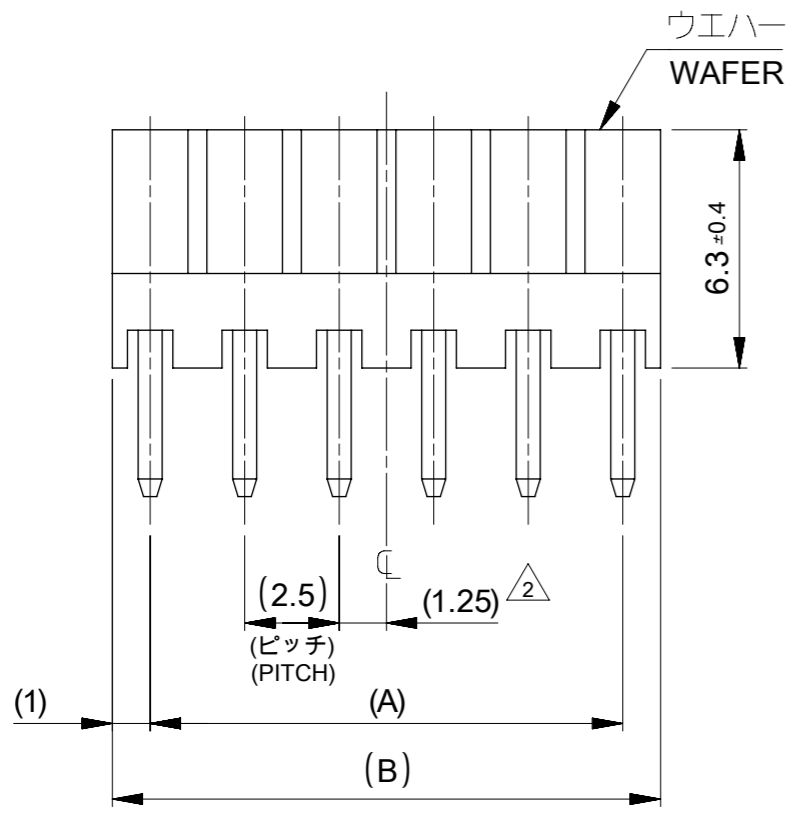


注記
NOTES:

1. 材料(MATERIAL)
 ウェハー : ポリアミド, UL94V-0
 WAFER: POLYAMIDE, UL94V-0
 ピン: □0.635 黄銅
 ニッケル下地: 2micro-meter MIN. 金めっき: 0.35micro-meter MIN.
 PIN: □0.635 BRASS
 NICKEL: 2micro-meter MIN. Au PLATING: 0.35micro-meter MIN.
2. 全極数が偶数の場合のみ適用。
 APPLY FOR EVEN CIRCUITS PRODUCT ONLY.
3. 本図面はSD-5046-NAG REV-Fの再作成図面です。
 THIS DOCUMENT HAS BEEN RE-DRAWING BASED ON SD-5046-NAG, REV-F.



基板取付穴推奨寸法
RECOMMENDED P.W.BOARD HOLE DIM.



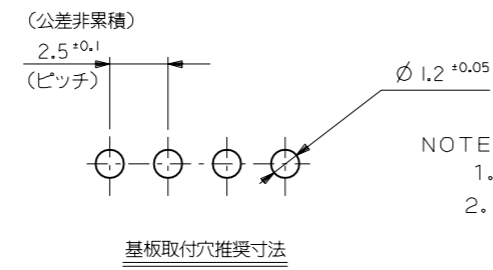
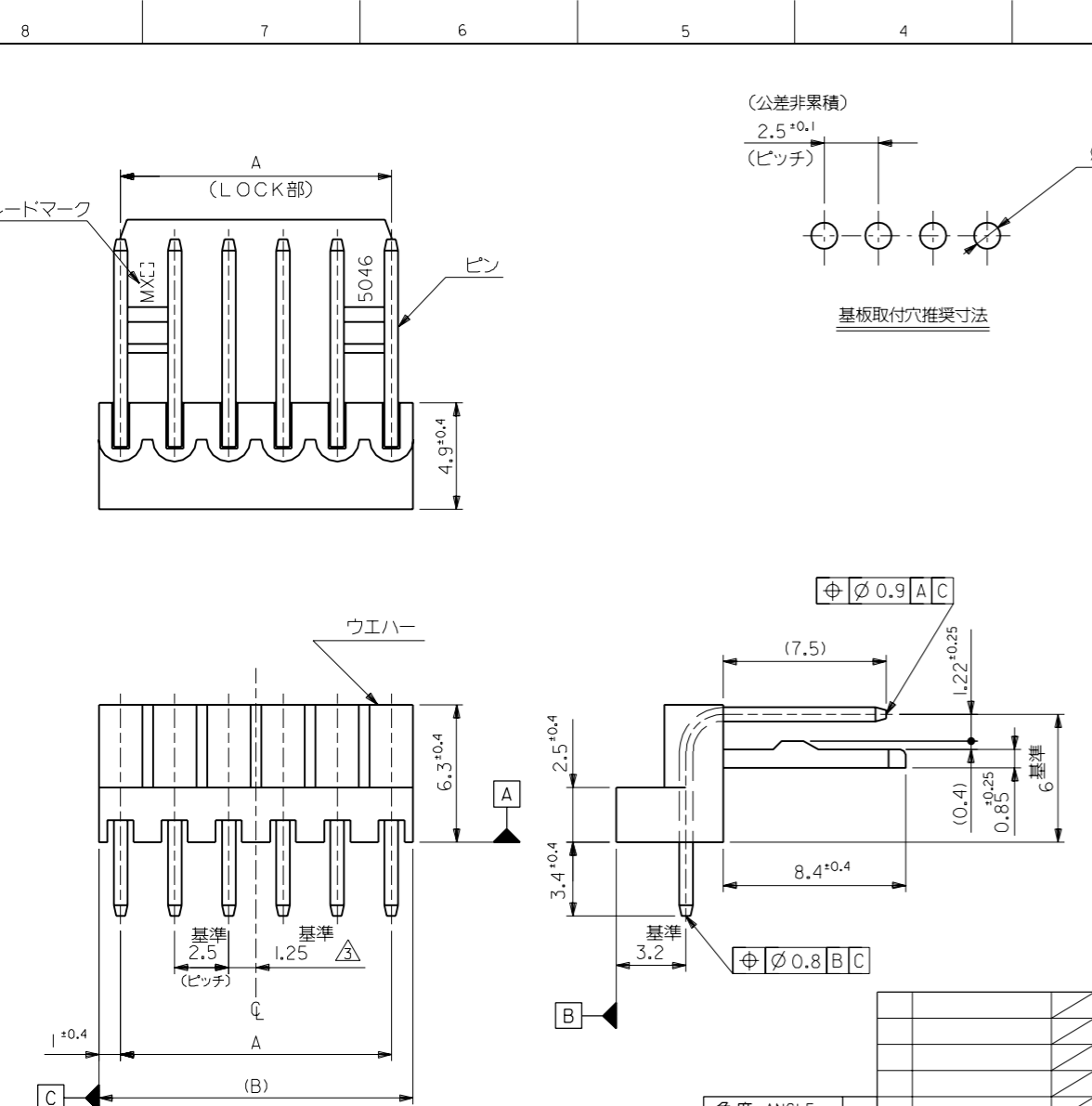
29.5	27.5	22121122	5046-12AG	12
24.5	22.5	22121102	5046-10AG	10
22	20	22121092	5046-09AG	9
19.5	17.5	22121082	5046-08AG	8
17	15	22121072	5046-07AG	7
14.5	12.5	22121062	5046-06AG	6
12	10	22121052	5046-05AG	5
9.5	7.5	22121042	5046-04AG	4
7	5	22121032	5046-03AG	3
4.5	2.5	22121022	5046-02AG	2
(B)	(A)	ORDER NO.	ENG. NO.	CKT.

THIS DRAWING CONTAINS INFORMATION THAT IS PROPRIETARY TO MOLEX ELECTRONIC TECHNOLOGIES, LLC AND SHOULD NOT BE USED WITHOUT WRITTEN PERMISSION

DIMENSION UNITS	SCALE	CURRENT REV DESC: REVISED&REDRAWING		
mm	5:1			
GENERAL TOLERANCES (UNLESS SPECIFIED)				
ANGULAR TOL	± °	EC NO: 603664 DRWN: ABABU01 2017/11/28 CHK'D: SAKIYAMA 2019/06/21 APPR: KOMURAKAMI 2019/06/21		
4 PLACES	±	PRODUCT CUSTOMER DRAWING		
3 PLACES	±	DOCUMENT NUMBER		
2 PLACES	± 0.2	50460001		
1 PLACE	± 0.2	DOC TYPE DOC PART REVISION		
0 PLACES	± 0.2	PSD 000 A		
DRAFT WHERE APPLICABLE MUST REMAIN WITHIN DIMENSIONS		THIRD ANGLE PROJECTION	DRAWING	SHEET NUMBER
			A3-SIZE	5046
		MATERIAL NUMBER	CUSTOMER	SHEET NUMBER
		SEE CHART	GENERAL	1 OF 1

EDP NO. 22-12-1**2
 ENG. NO. SD-5046-NAG

ALL DIMENSIONS IN METRIC DO NOT SCALE DRAWING



NOTES:
 1. そり長さは25.4に対して0.2MAX.
 2. 材料
 ウエハー: 66ナイロン, UL94V-0
 ピン: 0.635 黄銅
 ニッケル下地: 2µm MIN.
 金メッキ: 0.35µm MIN.
 △ 全極数が偶数の場合のみ適用

49.5	47.5	22-12-1202	5046-20AG	20
47	45	-1192	-19AG	19
44.5	42.5	-1182	-18AG	18
42	40	-1172	-17AG	17
39.5	37.5	-1162	-16AG	16
37	35	-1152	-15AG	15
34.5	32.5	-1142	-14AG	14
32	30	-1132	-13AG	13
29.5	27.5	-1122	-12AG	12
27	25	-1112	-11AG	11
24.5	22.5	-1102	-10AG	10
22	20	-1092	-09AG	9
19.5	17.5	-1082	-08AG	8
17	15	-1072	-07AG	7
14.5	12.5	-1062	-06AG	6
12	10	-1052	-05AG	5
9.5	7.5	-1042	-04AG	4
7	5	-1032	-03AG	3
4.5	2.5	22-12-1022	5046-02AG	2
(B)	A	EDP NO.	ENG.NO.	極数

角度 ANGLE	+3°
30以上 OVER	+0.3
10以上 30未満 UNDER	+0.25
10未満 UNDER	+0.2
一般公差 GENERAL TOLERANCES	

材料 MATERIAL	図中参照
仕上げ FINISH	—
適用電線範囲 WIRE RANGE	—
被覆外径 INS. RANGE	—
DRAWN BY '90/3/23 Y.MIZUNO	CHK'D BY '92/10/21 M.FUKUSHIMA
APP'D BY '92/10/21 M.ENOMOTO	尺度 SCALE 5-1

EDP. NO.	22-12-1**2
ENG. NO.	SD-5046-NAG
REV F	
TITLE 名称	KK2.5 RIGHT ANGLE WAFER ASS'Y

X-ON Electronics

Largest Supplier of Electrical and Electronic Components

Click to view similar products for [Headers & Wire Housings](#) category:

Click to view products by [Molex](#) manufacturer:

Other Similar products are found below :

[892-18-020-10-001101](#) [58102-G61-06LF](#) [582553-1](#) [0009485154](#) [009176003701906](#) [0050291907](#) [LY20-4P-DT1-P1E-BR](#) [02.125.8002.8](#)
[609-3404](#) [61062-3](#) [622-0430](#) [622-3653LF](#) [63453-116](#) [636-1030](#) [636-1427](#) [636-3427](#) [636-4007](#) [641938-9](#) [641991-4](#) [644827-2](#) [65817-010LF](#)
[65817-015LF](#) [65863-015LF](#) [66207-023LF](#) [67095-007LF](#) [67601157](#) [68648-049](#) [70.362.1628.0](#) [70-4210](#) [70-4226B](#) [70-4853B](#) [707-5020](#) [707-](#)
[5028](#) [71.350.2428.0](#) [71918-208LF](#) [71961-016LF](#) [733-134](#) [733-162](#) [754199-000](#) [760-3052](#) [787-8014-00](#) [79531-3000](#) [FCN-360C032-B](#) [FCN-](#)
[367T-T012/H](#) [FCN-723D010/2](#) [80.063.4001.1](#) [800-90-001-10-001000](#) [800-90-010-10-002000](#) [801-43-002-10-013000](#) [801-43-006-10-002000](#)