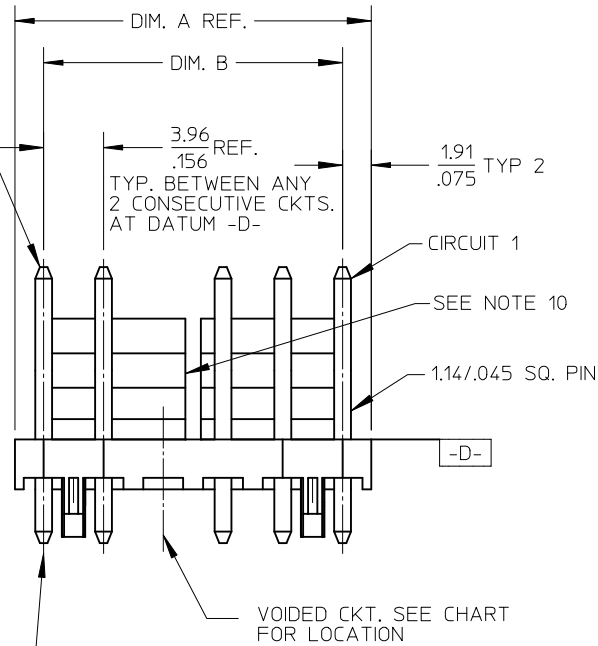
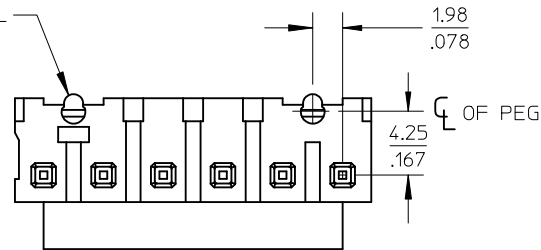


CENTERLINE OF PIN AT TIP
NOT TO VARY FROM CENTERLINE OF
PIN AT DATUM -D- BY MORE THAN
0.20/.008 IN ANY DIRECTION.



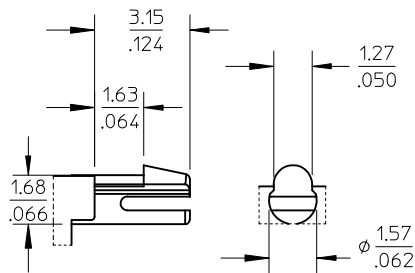
CENTERLINE OF PIN AT TIP
NOT TO VARY FROM CENTERLINE OF
PIN AT DATUM -D- BY MORE THAN
0.13/.005 IN ANY DIRECTION.

SEE PEG DETAIL
SHEET 2

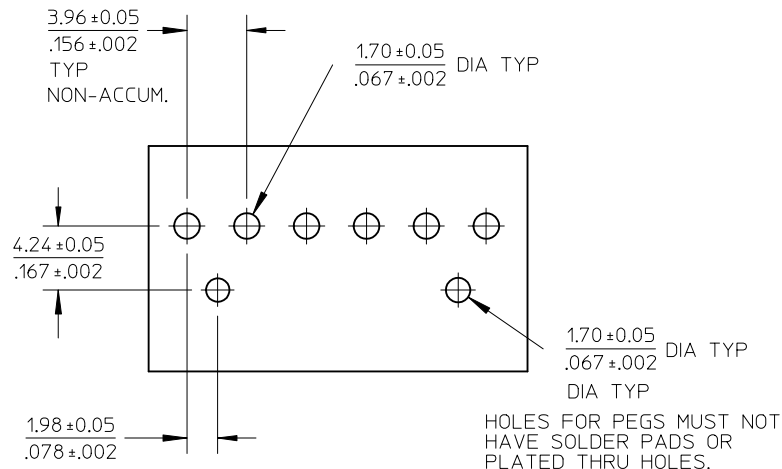


NO. OF CKTS.	DIM. A	DIM. B	SLOT LOC BETWEEN CKTS
2	7.77 .306	3.96±0.05 .156±.002	NONE
3	11.73 .462	7.92±0.08 .312±.003	NONE
4	15.70 .618	11.89±0.08 .468±.003	NONE
5	19.66 .774	15.85±0.10 .624±.004	NONE
6	23.62 .930	19.81±0.10 .780±.004	3 & 4
7	27.58 1.086	23.77±0.10 .936±.004	4 & 5
8	31.55 1.242	27.74±0.13 1.092±.005	4 & 5
9	35.51 1.398	31.70±0.13 1.248±.005	5 & 6
10	39.47 1.554	35.66±0.13 1.404±.005	5 & 6
11	43.43 1.710	39.62±0.15 1.560±.006	6 & 7
12	47.40 1.866	43.59±0.15 1.716±.006	4 & 5 8 & 9

ADD FINISH 197, 241 EC NO: UCP2012-0114 DRWN:MMSTROH 2011/08/09 CHKD:MKIPPER 2011/10/21 APPR:FSM1TH 2011/10/28	QUALITY SYMBOLS	GENERAL TOLERANCES (UNLESS SPECIFIED)	DIMENSION STYLE	SCALE	DESIGN UNITS	THIRD ANGLE PROJECTION
	▽=0	4 PLACES ± --- ± ---	MM/IN	---	INCH	
	▽=0	3 PLACES ± --- ± .010	DRAWN BY	DATE	TITLE	
	▽=0	2 PLACES ± 0.25 ± .015	SCHAFFER	12-11-03	FR. LOCK HEADER ASSEMBLY .156 CENTERS STR SQ PINS W/ PEGS	
		1 PLACE ± 0.38 ± ---	CHECKED BY	DATE	MOLEX INCORPORATED	
		ANGULAR ±1/2°	SAMIEC	12-14-03	DOCUMENT NO.	
		DRAFT WHERE APPLICABLE MUST REMAIN WITHIN DIMENSIONS	APPROVED BY	DATE	SHEET NO.	
			MARGULIS	12-18-03	SD-42891-001	
			MATERIAL NO.	SEE CHART		
			SIZE	THIS DRAWING CONTAINS INFORMATION THAT IS PROPRIETARY TO MOLEX INCORPORATED AND SHOULD NOT BE USED WITHOUT WRITTEN PERMISSION		



PEG DETAIL



RECOMMENDED PC BOARD HOLE LAYOUT:
COMPONENT SIDE FOR 1.57/.062 THK. PCB

FOR CORRECT ORIENTATION OF PARTS WITH
VOIDS, ELIMINATE CORRESPONDING PCB HOLE.

NOTES:

1. MATERIAL: HEADER-GLASS FILLED POLYESTER, 94V-0, MOLDED NATURAL WHITE PINS: BRASS
2. FINISHES: (197) OVERALL REFLOWED MATTE TIN: 0.00152/.000060 MIN. OVER 0.00127/.000050 MIN. NICKEL OVERALL.
(154) OVERALL TIN: 0.00254/.000100 MIN OVER 0.00127/.000050 MIN NICKEL
(208) SELECT GOLD: 0.00038/.000015 MIN SELECT TIN: 0.00254/.000100 MIN OVERALL NICKEL UNDERPLATE: 0.00127/.000050 MIN
(228) SELECT GOLD: 0.00076/.000030 MIN SELECT TIN: 0.00254/.000100 MIN OVERALL NICKEL UNDERPLATE: 0.00127/.000050 MIN
(241) SELECT GOLD: 0.00051/.000020 MIN. SELECT TIN: 0.00254/.000100 MIN. OVERALL NICKEL UNDERPLATE: 0.00127/.000050 MIN.
3. PRODUCT SPECIFICATION: SEE PS-08-50.
4. PACKAGING INFO: SEE TABLES
5. SOLDERABILITY: PER SMES-152
6. PIN PUSH OUT FORCE: PRIOR TO SOLDERING, A 3 LB MINIMUM FORCE (IN EITHER DIRECTION) SHALL BE REQUIRED TO PUSH THE PIN OUT OF THE HEADER.
7. PARTS ARE STACKABLE END TO END ON 3.96/.156 CENTERS.
8. FOR PART WITHOUT PEGS SEE DWG. NO. SDA-41791.
9. THIS PART CONFORMS TO CLASS B REQUIREMENTS OF COSMETIC SPECIFICATION PS-45499-002.
10. SLOTS ON BACKWALL ARE BETWEEN CIRCUITS. SEE CHART FOR LOCATION.

SEE SHEET 1 EC NO: UCP2012-0114 DRWN:MMSTROH 2011/08/09 CHKD:MKIPPER 2011/10/21 APPR:FSM/TH 2011/10/28	DESCRIPTION QUALITY SYMBOLS $\nabla F = 0$ $\nabla E = 0$ $\nabla P = 0$	GENERAL TOLERANCES (UNLESS SPECIFIED)		DIMENSION STYLE	SCALE	DESIGN UNITS	THIRD ANGLE PROJECTION		
			mm	INCH	MM/IN	---	INCH		
		4 PLACES	± ---	± ---	DRAWN BY	DATE	TITLE FR. LOCK HEADER ASSEMBLY .156 CENTERS STR SQ PINS W/ PEGS		
		3 PLACES	± ---	± .010	SCHAFFER	12-11-03			
2 PLACES	± 0.25	± .015	CHECKED BY	DATE	MOLEX INCORPORATED				
1 PLACE	± 0.38	± ---	SAMIEC	12-14-03					
ANGULAR ± 1/2°		DRAFT WHERE APPLICABLE MUST REMAIN WITHIN DIMENSIONS		APPROVED BY	DATE	DOCUMENT NO.			
				MARGULIS	12-18-03	SD-42891-001			
				SEE CHART		SHEET NO.			
				SIZE A		2 OF *			
				THIS DRAWING CONTAINS INFORMATION THAT IS PROPRIETARY TO MOLEX INCORPORATED AND SHOULD NOT BE USED WITHOUT WRITTEN PERMISSION					

OPTIONS	Group	A-42891-0002/0018	Group	A-42891-0120/0136	Group	A-42891-0137/0153	Group	A-42891-0068/0084
	Header No:	41790-0053/0069	Header No:	41790-0053/0069	Header No:	41790-0053/0069	Header No:	41790-0053/0069
	Pin No:	43294-0214	Pin No:	43294-0209	Pin No:	43294-0210	Pin No:	43294-0301
	Plating:	197	Plating:	208	Plating:	228	Plating:	197
	Pin Length L	18.29/ .720	Pin Length L	18.29/ .720	Pin Length L	18.29/ .720	Pin Length L	20.83/ .820
	Mating M	11.43/ .450	Mating M	11.43/ .450	Mating M	11.43/ .450	Mating M	11.40/ .449
	Gold Loc G	N/A	Gold Loc G	6.86/ .270	Gold Loc G	6.86/ .270	Gold Loc G	N/A
	PC Tail P	3.56/ .140	PC Tail P	3.56/ .140	PC Tail P	3.56/ .140	PC Tail P	6.12/ .241
	Tin Loc T	Overall	Tin Loc T	4.06/ .160	Tin Loc T	4.06/ .160	Tin Loc T	N/A
	Voided Ckts	None	Voided Ckts	None	Voided CKts	None	Voided Ckts	NONE
Pack Per	PK-42491-001	Pack Per	PK-42491-001	Pack Per	PK-42491-001	Pack Per	PK-42491-002	
Ckts	Material No	Engineer Number	Material No	Engineer Number	Material No	Engineer Number	Material No	Engineer Number
2	26-60-6020	A-42891-0002	42891-0120	A-42891-0120	42891-0137	A-42891-0137	26-60-6021	A-42891-0068
3	26-60-6030	A-42891-0003	42891-0121	A-42891-0121	42891-0138	A-42891-0138		A-42891-0069
4	26-60-6040	A-42891-0004	42891-0122	A-42891-0122	42891-0139	A-42891-0139		A-42891-0070
5	26-60-6050	A-42891-0005	42891-0123	A-42891-0123	42891-0140	A-42891-0140		A-42891-0071
6	26-60-6060	A-42891-0006	42891-0124	A-42891-0124	42891-0141	A-42891-0141	26-60-6061	A-42891-0072
7	26-60-6070	A-42891-0007	42891-0125	A-42891-0125	42891-0142	A-42891-0142		A-42891-0073
8	26-60-6080	A-42891-0008	42891-0126	A-42891-0126	42891-0143	A-42891-0143	26-60-6081	A-42891-0074
9	26-60-6090	A-42891-0009	42891-0127	A-42891-0127	42891-0144	A-42891-0144		A-42891-0075
10	26-60-6100	A-42891-0010	42891-0128	A-42891-0128	42891-0145	A-42891-0145	26-60-6101	A-42891-0076
11	26-60-6110	A-42891-0011	42891-0129	A-42891-0129	42891-0146	A-42891-0146		A-42891-0077
12	26-60-6120	A-42891-0012	42891-0130	A-42891-0130	42891-0147	A-42891-0147		A-42891-0078

F	REV:	<u>ECR/ECN INFORMATION</u>	<u>TITLE:</u>	FR. LOCK HEADER ASSEMBLY .156 CENTERS STR SQ PINS W/ PEGS	<u>SHEET No.</u>
		EC NO: UCP2012-0114			- 3 -
		DATE: 10/31/2011			
<u>DOCUMENT NUMBER:</u>		<u>CREATED / REVISED BY:</u>	<u>CHECKED BY:</u>	<u>APPROVED BY:</u>	
SD-42891-001		MMSTROH	MKIPPER	FSMITH	

OPTIONS	Group	A-42891-0085/0096	Group	A-42891-0097/0112	Group	A-42891-0019/0035	Group	A-42891-0036/0052
	Header No:	41790-0058/0069	Header No:	41790-0054/0069	Header No:	41790-0053/0069	Header No:	41790-0053/0069
	Pin No:	43294-0214	Pin No:	43294-0214	Pin No:	43294-0215	Pin No:	43294-0214
	Plating:	197	Plating:	197	Plating:	241	Plating:	197
	Pin Length L	18.29/ .720	Pin Length L	18.29/ .720	Pin Length L	18.29/ .720	Pin Length L	18.29/ .720
	Mating M	11.43/ .450	Mating M	11.43/ .450	Mating M	11.43/ .450	Mating M	11.43/ .450
	Gold Loc G	N/A	Gold Loc G	N/A	Gold Loc G	6.85/ .270	Gold Loc G	N/A
	PC Tail P	3.56/ .140	PC Tail P	3.56/ .140	PC Tail P	3.56/ .140	PC Tail P	3.56/ .140
	Tin Loc T	OVERALL	Tin Loc T	OVERALL	Tin Loc T	4.06/ .160	Tin Loc T	OVERALL
	Voided Ckts	7	Voided Ckts	3	Voided CKts	NONE	Voided Ckts	2
	Pack Per	PK-42491-001	Pack Per	PK-42491-001	Pack Per	PK-42491-001	Pack Per	PK-42491-001
Ckts	Material No	Engineer Number	Material No	Engineer Number	Material No	Engineer Number	Material No	Engineer Number
2					26-60-6022	A-42891-0019		
3			42891-0097	A-42891-0097	26-60-6032	A-42891-0020	26-62-6030	A-42891-0037
4			42891-0098	A-42891-0098	26-60-6042	A-42891-0021	26-62-6040	A-42891-0038
5			42891-0099	A-42891-0099	26-60-6052	A-42891-0022	26-62-6050	A-42891-0039
6			42891-0100	A-42891-0100	26-60-6062	A-42891-0023	26-62-6060	A-42891-0040
7	42891-0085	A-42891-0085	42891-0101	A-42891-0101	26-60-6072	A-42891-0024	26-62-6070	A-42891-0041
8	42891-0086	A-42891-0086	42891-0102	A-42891-0102	26-60-6082	A-42891-0025	26-62-6080	A-42891-0042
9	42891-0087	A-42891-0087	42891-0103	A-42891-0103	26-60-6092	A-42891-0026	26-62-6090	A-42891-0043
10	26-62-6082	A-42891-0088	42891-0104	A-42891-0104	26-60-6102	A-42891-0027	26-62-6100	A-42891-0044
11	42891-0089	A-42891-0089	42891-0105	A-42891-0105	26-60-6112	A-42891-0028	26-62-6110	A-42891-0045
12	42891-0090	A-42891-0090	42891-0106	A-42891-0106	26-60-6122	A-42891-0029	26-62-6120	A-42891-0046

F	REV:	<u>ECR/ECN INFORMATION</u>	<u>TITLE:</u>	FR. LOCK HEADER ASSEMBLY .156 CENTERS STR SQ PINS W/ PEGS	<u>SHEET No.</u>
		EC NO: UCP2012-0114			- 4 -
		DATE: 10/31/2011			
<u>DOCUMENT NUMBER:</u>		<u>CREATED / REVISED BY:</u>	<u>CHECKED BY:</u>	<u>APPROVED BY:</u>	
SD-42891-001		MMSTROH	MKIPPER	FSMITH	

OPTIONS	Group	A-42891-0053/0067	Group	A-42891-0154/0165	Group	A-42891-0166/0180	Group	A-42891-0181/0197
	Header No:	41790-0053/0069	Header No:	41790-0058/0069	Header No:	41790-0055/0069	Header No:	41790-0053/0069
	Pin No:	43294-0214	Pin No:	43294-0214	Pin No:	43294-0214	Pin No:	43294-0213
	Plating:	197	Plating:	197	Plating:	197	Plating:	154
	Pin Length L	18.29/ .720	Pin Length L	18.29/ .720	Pin Length L	18.29/ .720	Pin Length L	18.29/ .720
	Mating M	11.43/ .450	Mating M	11.43/ .450	Mating M	11.43/ .450	Mating M	11.43/ .450
	Gold Loc G	N/A	Gold Loc G	N/A	Gold Loc G	N/A	Gold Loc G	N/A
	PC Tail P	3.56/ .140	PC Tail P	3.56/ .140	PC Tail P	3.56/ .140	PC Tail P	3.56/ .140
	Tin Loc T	OVERALL	Tin Loc T	OVERALL	Tin Loc T	OVERALL	Tin Loc T	OVERALL
	Voided Ckts	4	Voided Ckts	5, 7	Voided CKts	2, 4	Voided Ckts	NONE
	Pack Per	PK-42491-001	Pack Per	PK-42491-001	Pack Per	PK-42491-001	Pack Per	PK-42491-001
Ckts	Material No	Engineer Number	Material No	Engineer Number	Material No	Engineer Number	Material No	Engineer Number
2							50-29-1955	A-42891-0181
3							50-29-1956	A-42891-0182
4		A-42891-0053			42891-0166	A-42891-0166	50-29-1957	A-42891-0183
5	26-62-6051	A-42891-0054			42891-0167	A-42891-0167	50-29-1958	A-42891-0184
6		A-42891-0055			42891-0168	A-42891-0168	50-29-1959	A-42891-0185
7		A-42891-0056	42891-0154	A-42891-0154	42891-0169	A-42891-0169	50-29-1960	A-42891-0186
8		A-42891-0057	42891-0155	A-42891-0155	42891-0170	A-42891-0170	50-29-1961	A-42891-0187
9		A-42891-0058	42891-0156	A-42891-0156	42891-0171	A-42891-0171	50-29-1962	A-42891-0188
10	26-62-6101	A-42891-0059	42891-0157	A-42891-0157	42891-0172	A-42891-0172	50-29-1963	A-42891-0189
11		A-42891-0060	42891-0158	A-42891-0158	42891-0173	A-42891-0173	50-29-1964	A-42891-0190
12		A-42891-0061	42891-0159	A-42891-0159	42891-0174	A-42891-0174	50-29-1965	A-42891-0191

F	REV:	<u>ECR/ECN INFORMATION</u>	<u>TITLE:</u>	FR. LOCK HEADER ASSEMBLY .156 CENTERS STR SQ PINS W/ PEGS	<u>SHEET No.</u>
		EC NO: UCP2012-0114			- 5 -
		DATE: 10/31/2011			
<u>DOCUMENT NUMBER:</u>		<u>CREATED / REVISED BY:</u>	<u>CHECKED BY:</u>	<u>APPROVED BY:</u>	
SD-42891-001		MMSTROH	MKIPPER	FSMITH	

X-ON Electronics

Largest Supplier of Electrical and Electronic Components

Click to view similar products for [Headers & Wire Housings](#) category:

Click to view products by [Molex](#) manufacturer:

Other Similar products are found below :

[892-18-020-10-001101](#) [58102-G61-06LF](#) [582553-1](#) [0009485154](#) [009176003701906](#) [0050291907](#) [LY20-4P-DT1-P1E-BR](#) [02.125.8002.8](#)
[609-3404](#) [61062-3](#) [622-0430](#) [622-3653LF](#) [63453-116](#) [636-1030](#) [636-1427](#) [636-3427](#) [636-4007](#) [641938-9](#) [641991-4](#) [644827-2](#) [65817-010LF](#)
[65817-015LF](#) [65863-015LF](#) [66207-023LF](#) [67095-007LF](#) [67601157](#) [68648-049](#) [70.362.1628.0](#) [70-4210](#) [70-4226B](#) [70-4853B](#) [707-5020](#) [707-](#)
[5028](#) [71.350.2428.0](#) [71918-208LF](#) [71961-016LF](#) [733-134](#) [733-162](#) [754199-000](#) [760-3052](#) [787-8014-00](#) [79531-3000](#) [FCN-360C032-B](#) [FCN-](#)
[367T-T012/H](#) [FCN-723D010/2](#) [80.063.4001.1](#) [800-90-001-10-001000](#) [800-90-010-10-002000](#) [801-43-002-10-013000](#) [801-43-006-10-002000](#)