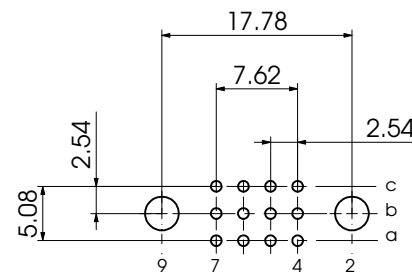
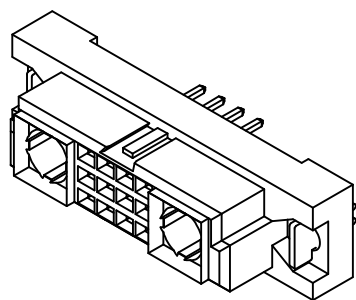


Rear View of the Female Connector



③ xx for performance classes 10, 20 or 30
(contact cycle for 10/20/30 = 500/400/50)



No.	St.	Part	Type Description/Material	Surface plating/Colour/Class
3	2	Snap-in	PCB 1,6mm	
2	12	Signal contact	Cu alloy	500/400/50
1	1	Insulator	Polyester, UL94V-0	grey

					SCALE	TITLE	
			NAME / DATE		2:1	Connector according to EN 60603-2	
			DRAWN				
			CHECKED				
3	22-01-2007	21944			DWG.NO. 2712202xx10		
2	08-11-2006	21921					
1							
REV.	DATE	CH.-NO.	ORIGINAL: DIN A3-DRAWING AS A FILE	REPLACEMENT FOR:	PAGES 1		

COMMENT: ALL RIGHTS ARE RESERVED BY US FOR THIS DRAWING. WITHOUT OUR PRIOR CONSENT, IT IS NOT ALLOWED TO REPRODUCE, COPY, TRANSMIT OR OTHERWISE DISSEMINATE THIS DRAWING OR ITS CONTENTS. IT IS ALSO NOT TO BE IMPROPERLY USED BY THE RECEIVER, OR A THIRD PARTY.

X-ON Electronics

Largest Supplier of Electrical and Electronic Components

Click to view similar products for [DIN 41612 Connectors](#) category:

Click to view products by [Molex](#) manufacturer:

Other Similar products are found below :

[004.767](#) [608489050008049](#) [691327-1](#) [74670-0732](#) [74680-0340](#) [75880-0015](#) [76453-0014](#) [86093159ALF](#) [9732967801](#) [QLC260R](#)
[120X10019X](#) [120X10089X](#) [122A10249X](#) [122A10669X](#) [122A11089X](#) [122A13089X](#) [122A10089X](#) [122A10129X](#) [122A10349X](#)
[122A13359X](#) [1377391-4](#) [DIN-048CPC-SR1-MH](#) [1393583-2](#) [1393726-7](#) [140X10129X](#) [143-1913-000](#) [143-1908-000](#) [1484472-1](#) [2110070-1](#)
[2110070-2](#) [CBC20T00-008FDS5-0-1-002VR](#) [172699-5036](#) [2-1393557-4](#) [2-1437084-2](#) [394506](#) [419-2080-402](#) [V42254B2202C968](#) [419-2086-](#)
[201](#) [419-2087-002](#) [448657-1](#) [448847-3](#) [5-1393755-9](#) [02990000004](#) [054302](#) [043556](#) [09062483201750](#) [0850033067](#) [09031646555](#)
[09061486901840](#) [09185107324800](#)